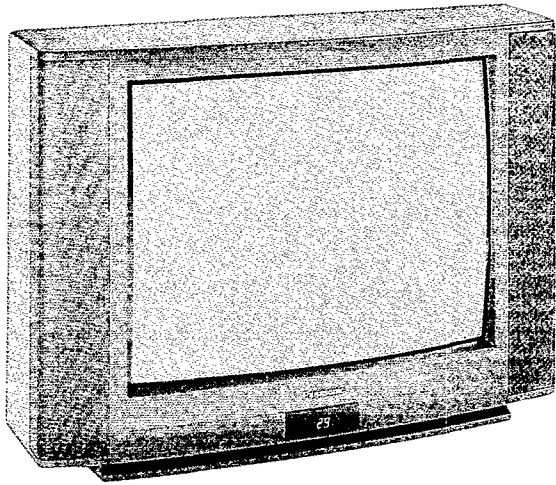


Service Manual



Colour Television

TX-28G1

TX-25G1

ALPHA-2 Chassis

Specifications

(Information in brackets refer to TX-25G1)

Power Source: 240 V AC, 50 Hz

Power Consumption: 95W (93W)

Aerial Impedance: 75 Ω unbalanced, Coaxial Type

Receiving System: PAL- I

Receiving Channels: UHF E21-E69

Intermediate Frequency: Video 39.5 MHz
Sound 33.5 MHz
Colour 35.07 MHz (PAL)

Video/Audio Terminals:

AV1 IN	Video (21 pin) 1 Vp-p 75 Ω Audio (21 pin) 0.67 Vrms, 10k Ω
AV1 OUT	Video (21 pin) 1 Vp-p 75 Ω Audio (21 pin) 0.67 Vrms, 1k Ω (100% modulation)
AV2 IN	Video (21 pin) 1 Vp-p 75 Ω Audio (21 pin) 0.67 Vrms, 10k Ω
S-Video IN (21 pin)	Y: 1 Vp-p 75 Ω C: 0.3 Vp-p 75 Ω
AV2 OUT	Video (21 pin) 1 Vp-p 75 Ω Audio (21 pin) 0.67 Vrms, 1k Ω (100% modulation)
S-Video IN (4 pin) Audio(RCA x 2)	Y: 1 Vp-p 75 Ω C: 0.3 Vp-p 75 Ω 0.67 Vrms, 10k Ω

High Voltage: 29.0 kV at zero beam current

Picture Tube: 66cm (59cm) V FST 110⁰
measured diagonally,

Audio Output:

Internal Speaker 2 x 10W (Music Power)
4 Ω Impedance

External Speaker 2 x 15W (Music Power)
8 Ω Impedance

Speakers: 16cm x 8cm Oval

Headphones: 1: 8 Ω Impedance

Accessories supplied: Remote Controller
UM4 Battery

Dimensions: Height: 560mm (515mm)
Width: 780mm (720mm)
Depth: 470mm (450mm)

Net Weight: 38kg (31kg)

Specifications are subject to change without notice.
Weight and dimensions shown are approximate.

Panasonic

Panasonic (U.K.) Ltd.

WILLOUGHBY ROAD,
BRACKNELL,
BERKS,
RG12 8FT.

CONTENTS

SAFETY PRECAUTIONS	2
LOCATION OF CONTROLS	3
SERVICE HINTS	4
ADJUSTMENTS	5
CONDUCTOR VIEWS	8
SCHEMATIC DIAGRAM	12
PARTS LOCATION	27
REPLACEMENT PARTS LIST	29

SAFETY PRECAUTIONS

GENERAL GUIDE LINES

1. It is advisable to insert an isolation transformer in the AC supply before servicing a hot chassis.
2. When servicing, observe the original lead dress, especially the lead dress in the high voltage circuits. If a short circuit is found, replace all parts which have been overheated or damaged by the short circuit.
3. After servicing, see that all the protective devices such as insulation barriers, insulation papers, shields and isolation R-C combinations are correctly installed.
4. When the receiver is not being used for a long period of time, unplug the power cord from the AC outlet.
5. Potentials as high as 28.0 kV are present when this receiver is in operation. Operation of the receiver without the rear cover involves the danger of a shock hazard from the receiver power supply. Servicing should not be attempted by anyone who is not familiar with the precautions necessary when working on high voltage equipment. Always discharge the anode of the picture tube to the chassis before handling the tube.
6. After servicing make the following leakage current checks to prevent the customer from being exposed to shock hazards.

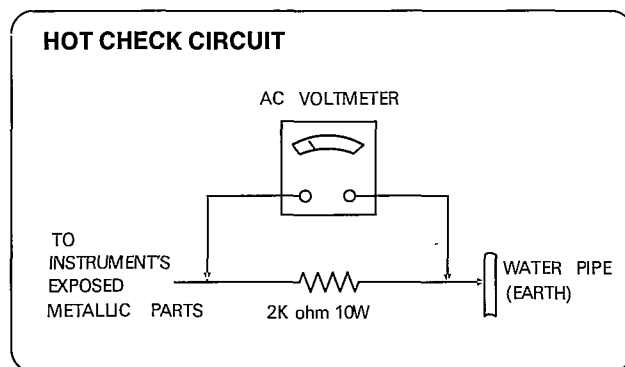
LEAKAGE CURRENT COLD CHECK

1. Unplug the AC cord and connect a jumper between the two prongs of the plug.
2. Turn on the receiver's power switch.
3. Measure the resistance value with an ohmmeter, between the jumpered AC plug and each exposed metallic cabinet part on the receiver, such as screw heads, aeriels, connectors, control shafts etc. When the exposed metallic part has a return path to the chassis the reading should be between 4M ohm and 20M ohm. When the exposed metal does not have a return path to the chassis the reading must be infinite.

LEAKAGE CURRENT HOT CHECK

1. Plug the AC cord directly into the AC outlet. Do not use an isolation transformer for this check.
2. Connect a 2k ohm 10W resistor in series with an exposed metallic part on the receiver and an earth such as a water pipe.
3. Use an AC voltmeter with high impedance to measure the potential across the resistor.
4. Check each exposed Metallic part and check the voltage at each point.

5. Reverse the AC plug at the outlet and repeat each of the above measurements.
6. The potential at any point should not exceed 1.4 Vrms. In case a measurement is outside the limits specified, there is a possibility of a shock hazard, and the receiver should be repaired and rechecked before it is returned to the customer.



X-RADIATION

WARNING

1. The potential sources of X-Radiation in TV sets are the high voltage section and the picture tube.
2. When using a picture tube test jig for service ensure that the jig is capable of handling 28.0 kV without causing X-Radiation.

NOTE : It is important to use an accurate periodically calibrated high voltage meter.

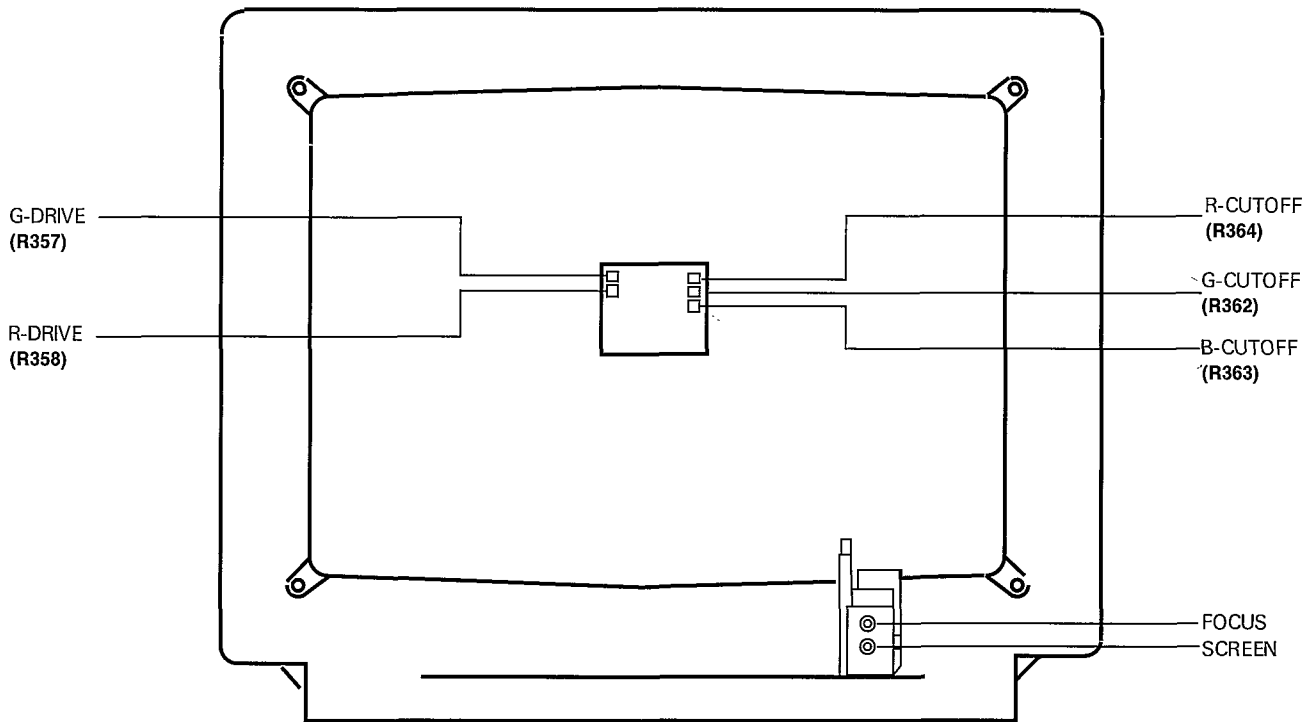
1. Set the brightness to minimum.
2. Set the service switch to the SERVICE position.
3. Measure the high voltage. The meter should indicate 28.0kV +/-1.5 kV. if the meter indication is out of tolerance, immediate service and correction is required to prevent the possibility of premature component failure.
4. To prevent a X-Radiation possibility, it is essential to use the specified tube.

SHUT DOWN CIRCUIT TEST

This test must be made as a final check before the set is returned to the customer.

1. Receive the Philips pattern.
2. Check that the shut down circuit functions when -60V is applied to TPE7, but does not function when -40V is applied.

LOCATION OF CONTROLS



E-BOARD TOP VIEW

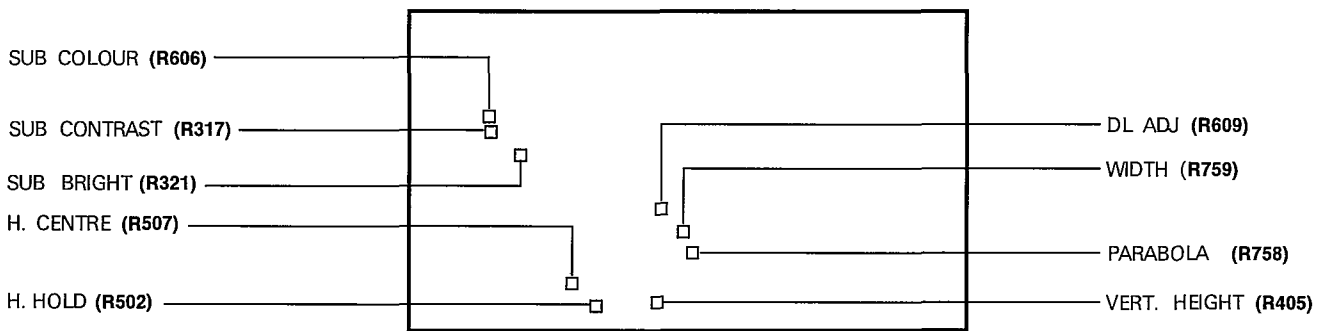


Fig.2

SERVICE HINTS

HOW TO REMOVE THE REAR COVER

1. Remove the 3 screws (A) as shown in Fig.3.
2. Insert a flat blade screw driver into the slot of each rear cover fixing clip and release the 8 rear cover fixing clips as shown in Fig.4.

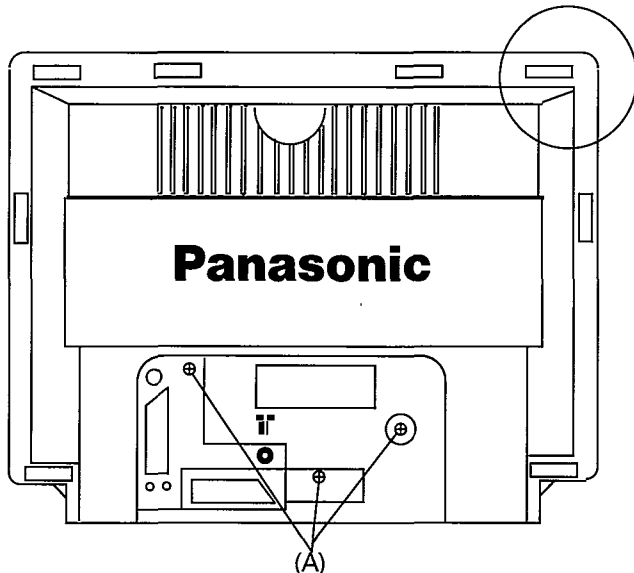


Fig.3

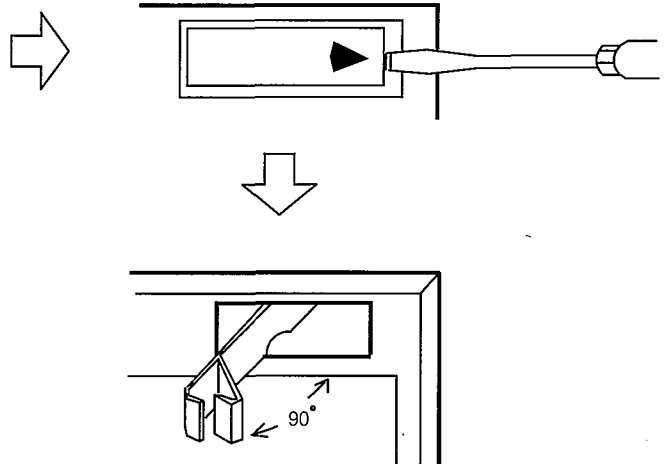


Fig.4

HOW TO MOVE CHASSIS INTO SERVICE POSITION

1. Remove the 2 screws (A) as shown in Fig.5.
2. Remove the 1 screw (B) as shown in Fig.6.
3. Hold and lift the tabs (C) of chassis as shown in Fig.6, gently pull the chassis towards you.
4. Unclip the Control block from the main chassis and release the respective wiring clips.
5. Turn the chassis through 90 degrees clockwise as shown in Fig.7
6. Clip(D) of the chassis bracket onto the support bracket as shown in Fig.8
7. After servicing ensure all wiring is returned to its original position before returning the receiver to the customer.

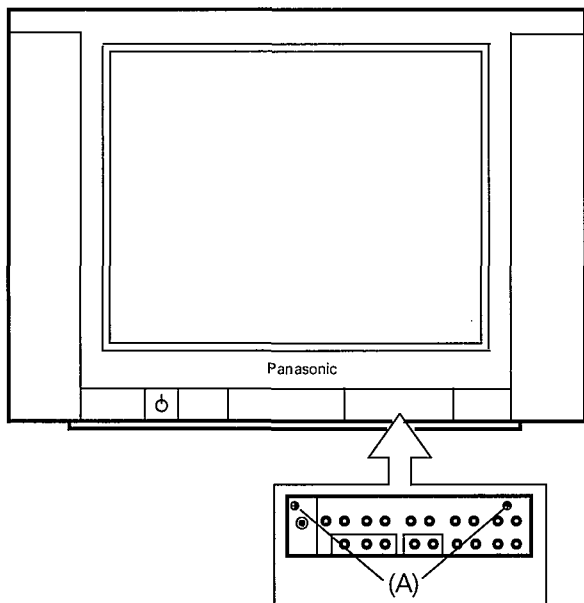


Fig.5

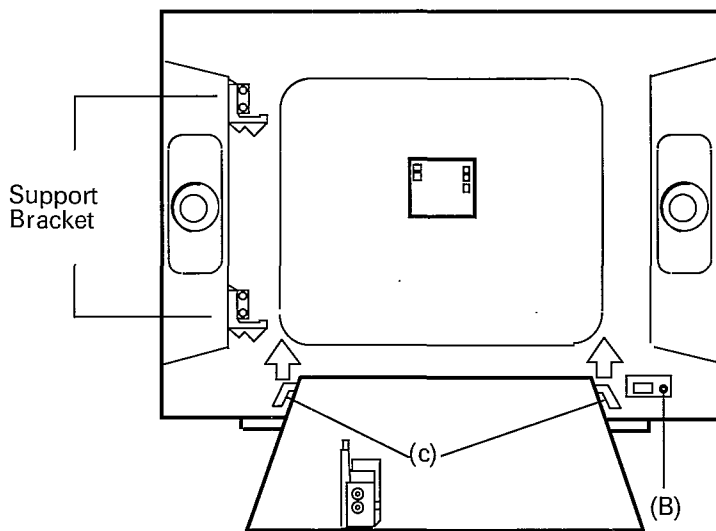


Fig.6

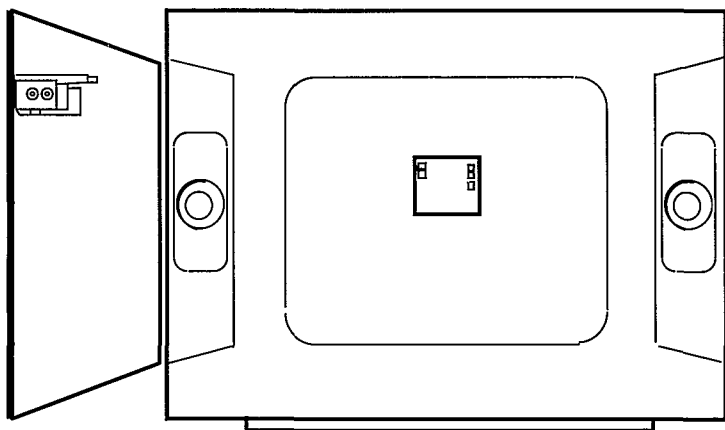


Fig.7

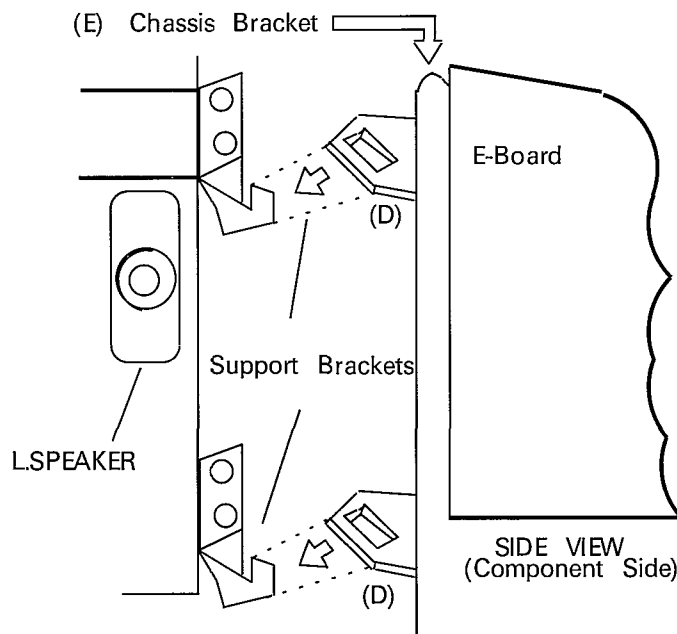


Fig.8

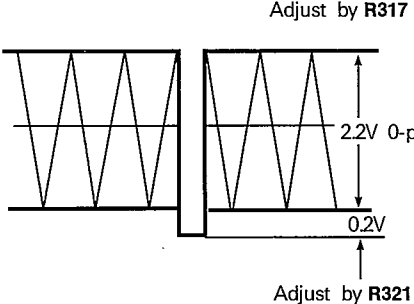
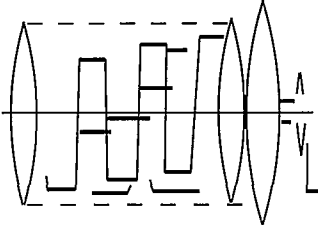
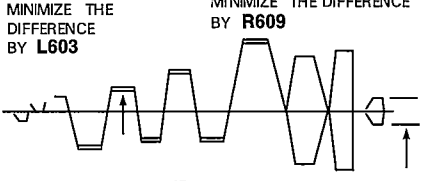
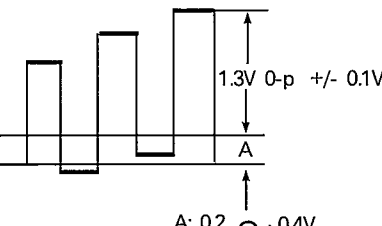
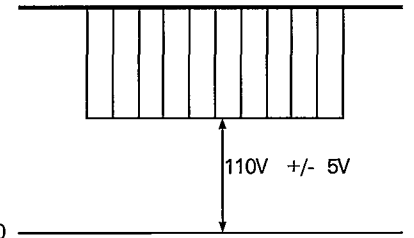
SERVICE POSITION FOR B-BOARD

1. Remove the B-Board from the main Chassis (E-Board).
2. Connect the extension lead wires between B-Board and E-Board, position the B-Board away from the main chassis and ensure they are not touching.
3. After servicing ensure all wiring is returned to its original position before returning the receiver to the customer.

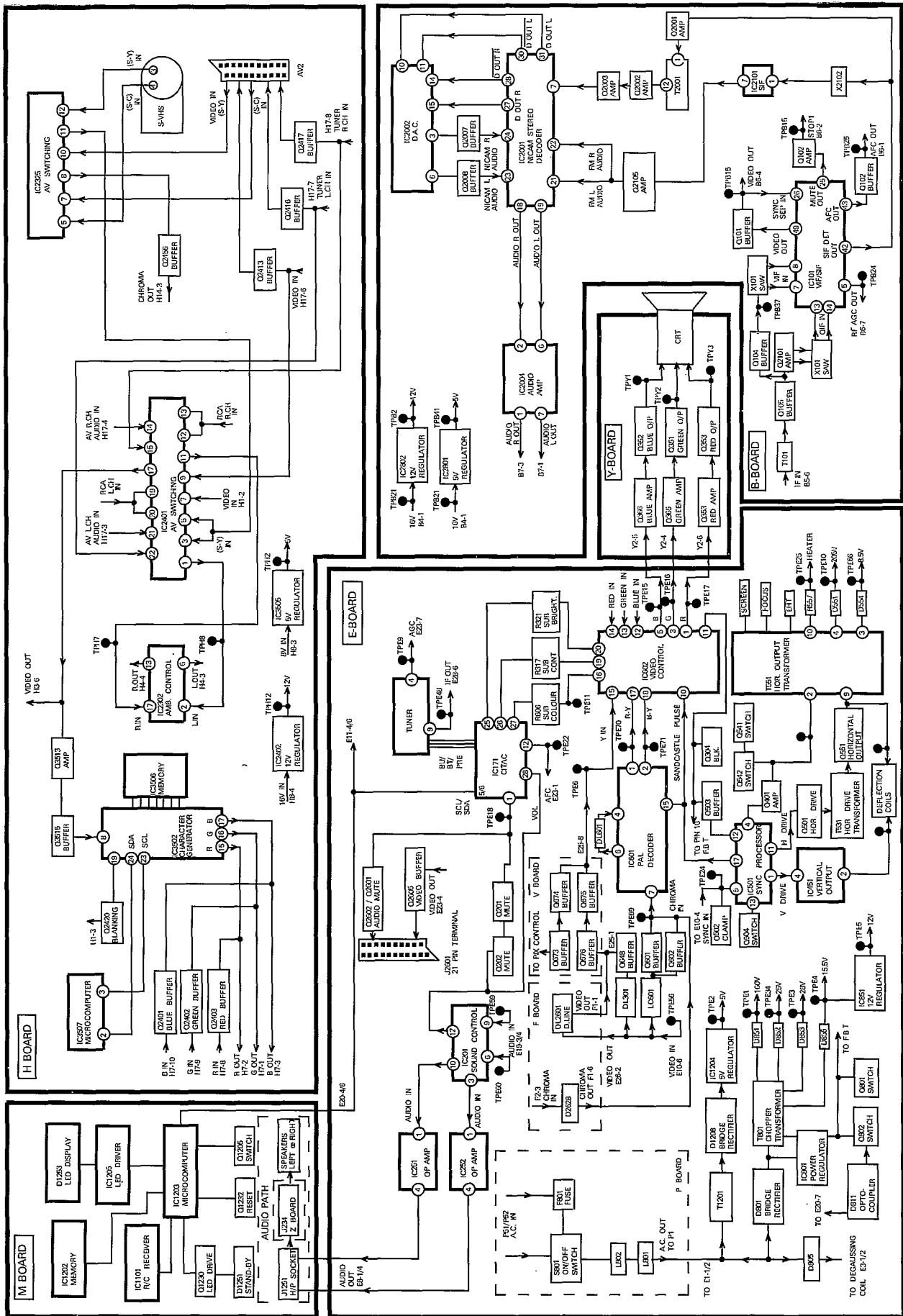
Note: The extension lead wire kit is supplied as a service kit, part number TZS709006.

ADJUSTMENTS

ITEM/PREPARATION	ADJUSTMENT PROCEDURE								
<p><u>B VOLTAGE</u></p> <ol style="list-style-type: none"> Operate the TV set. Set controls: Bright minimum Sub-bright minimum Contrast minimum 	<ol style="list-style-type: none"> Confirm the indicated test points for the specified voltage. <table border="0" style="width: 100%; margin-top: 10px;"> <tr> <td>TPE1: 160.0 +/- 2.0V</td> <td>TPE5: 12.0 +/- 1.0V</td> </tr> <tr> <td>TPE2: 5.0 +/- 0.5V</td> <td>TPE10: 210.0 +/- 10.0V</td> </tr> <tr> <td>TPE3: 25.5 +/- 1.5V</td> <td>TPE34: 26.5 +/- 1.5V</td> </tr> <tr> <td>TPE4: 16.0 +/- 1.0 / - 1.5V</td> <td>TPE66: 8.5 +/- 1.0V</td> </tr> </table> 	TPE1: 160.0 +/- 2.0V	TPE5: 12.0 +/- 1.0V	TPE2: 5.0 +/- 0.5V	TPE10: 210.0 +/- 10.0V	TPE3: 25.5 +/- 1.5V	TPE34: 26.5 +/- 1.5V	TPE4: 16.0 +/- 1.0 / - 1.5V	TPE66: 8.5 +/- 1.0V
TPE1: 160.0 +/- 2.0V	TPE5: 12.0 +/- 1.0V								
TPE2: 5.0 +/- 0.5V	TPE10: 210.0 +/- 10.0V								
TPE3: 25.5 +/- 1.5V	TPE34: 26.5 +/- 1.5V								
TPE4: 16.0 +/- 1.0 / - 1.5V	TPE66: 8.5 +/- 1.0V								
<p><u>AFC</u></p> <ol style="list-style-type: none"> Operate the TV set. Set a channel in UHF band. Supply 39.5MHz continuous wave to TPE48 of Tuner. Connect a DVM to TPE22. 	<ol style="list-style-type: none"> Adjust L106 so that the voltage at TPE22 becomes 5.6 +/- 0.1V Change the frequency and confirm the voltage as shown below. <table border="0" style="margin-top: 10px;"> <tr> <td>+ 100 kHz:</td> <td>less than 3.5 V</td> </tr> <tr> <td>- 100 kHz:</td> <td>more than 7.0 V</td> </tr> </table> 	+ 100 kHz:	less than 3.5 V	- 100 kHz:	more than 7.0 V				
+ 100 kHz:	less than 3.5 V								
- 100 kHz:	more than 7.0 V								
<p><u>RF AGC</u></p> <ol style="list-style-type: none"> Receive a colour bar pattern. Set the input level to 65 dB +/- 2 dB (75 ohm open). Connect an oscilloscope to TPE9 with DC mode. 	<ol style="list-style-type: none"> Turn RF AGC control R128 fully clockwise. Slowly turn R128 counterclockwise to set it at the point before the voltage at TPE9 drops. <p>Note : In this case, gain range of the oscilloscope is 1 V/div, and set R128 to a point where the voltage drops by 0.5V.</p>								
<p><u>HIGH VOLTAGE</u></p> <ol style="list-style-type: none"> Operate the TV set. Set controls: Bright minimum Contrast minimum Sub-bright minimum 	<ol style="list-style-type: none"> Confirm that the High Voltage is within a range of 27.7kV +/- 1.5 kV. <p>Note : If the high voltage is out of tolerance, confirm that voltage at zero beam current (Bright, Contrast and Colour controls to their minimum positions) is within the above tolerance.</p>								
<p><u>QPSK CLOCK ADJUSTMENT</u></p> <ol style="list-style-type: none"> Short TPB45 to ground. Connect a frequency counter to TBP 10. 	<p>Adjust R2021 so the frequency counter shows 6.552KHz \pm 200Hz.</p>								

ITEM/PREPARATION	ADJUSTMENT PROCEDURE	WAVEFORM
<p>SUB CONTRAST</p> <ol style="list-style-type: none"> 1. Receive the Philips pattern. (Input level : 75 dB.) 2. Connect an oscilloscope to TPE15. 3. Set controls: Bright minimum Contrast 65 % Colour minimum Picture centre 4. Earth TPE7. 	<ol style="list-style-type: none"> 1. Adjust Sub-Bright R321 for 0.2V higher than black level. 2. Adjust the Sub-Contrast R317 for 2.2V 0-p. 3. Remove link from TPE7. 	 <p>Adjust by R317</p> <p>2.2V 0-p</p> <p>0.2V</p> <p>Adjust by R321</p> <p>Fig.9</p>
<p>PAL APC</p> <ol style="list-style-type: none"> 1. Receive a PAL colour bar pattern. 2. Earth TPE76. 3. Connect oscilloscope to TPE15. 	<ol style="list-style-type: none"> 1. Adjust APC trimmer C637 to obtain stationary or slowly moving colour bars as shown in Fig 10. 2. Remove link and confirm colour bars are stationery. 	 <p>Fig.10</p>
<p>PAL DELAY LINE</p> <ol style="list-style-type: none"> 1. Receive a PAL colour bar pattern. 2. Earth TPE6 3. Connect oscilloscope to TPE15. 	<ol style="list-style-type: none"> 1. Adjust DL Adj R609 and DL Matching Trans L603 to obtain waveform at TPE15 as shown in Fig 11. 	 <p>MINIMIZE THE DIFFERENCE BY L603</p> <p>MINIMIZE THE DIFFERENCE BY R609</p> <p>Fig.11</p>
<p>SUB COLOUR</p> <ol style="list-style-type: none"> 1. Receive a PAL colour bar pattern. 2. Set controls: Bright minimum Contrast maximum Sub Colour. centre Pix VR centre 3. Connect DC voltmeter to TPE21. 4. Connect an oscilloscope to TPE15. 	<ol style="list-style-type: none"> 1. Connect a 100 ohm resistor across TPE6 and earth. 2. Adjust Sub-Bright R321 for A: 0.2 ~ 0.4V higher than black level. 3. Adjust sub colour R606. For 1.3 V0-p +/- 0.1 V at TPE15 as shown in Fig 12. 4. Remove 100 ohm resistor from TPE6 and earth. 	 <p>1.3V 0-p +/- 0.1V</p> <p>A</p> <p>A: 0.2 ~ 0.4V</p> <p>Fig.12</p>
<p>TELETEXT CONTRAST</p> <p>Note: Before this adjustment is attempted, white balance adjustment must be finished.</p> <ol style="list-style-type: none"> 1. Receive a teletext signal. 2. Connect an oscilloscope to TPY1 3. Set controls: Bright minimum Contrast maximum 	<ol style="list-style-type: none"> 1. Adjust R3529 to obtain the waveform as shown in Fig 13. 	 <p>110V +/- 5V</p> <p>0</p> <p>Fig.13</p>

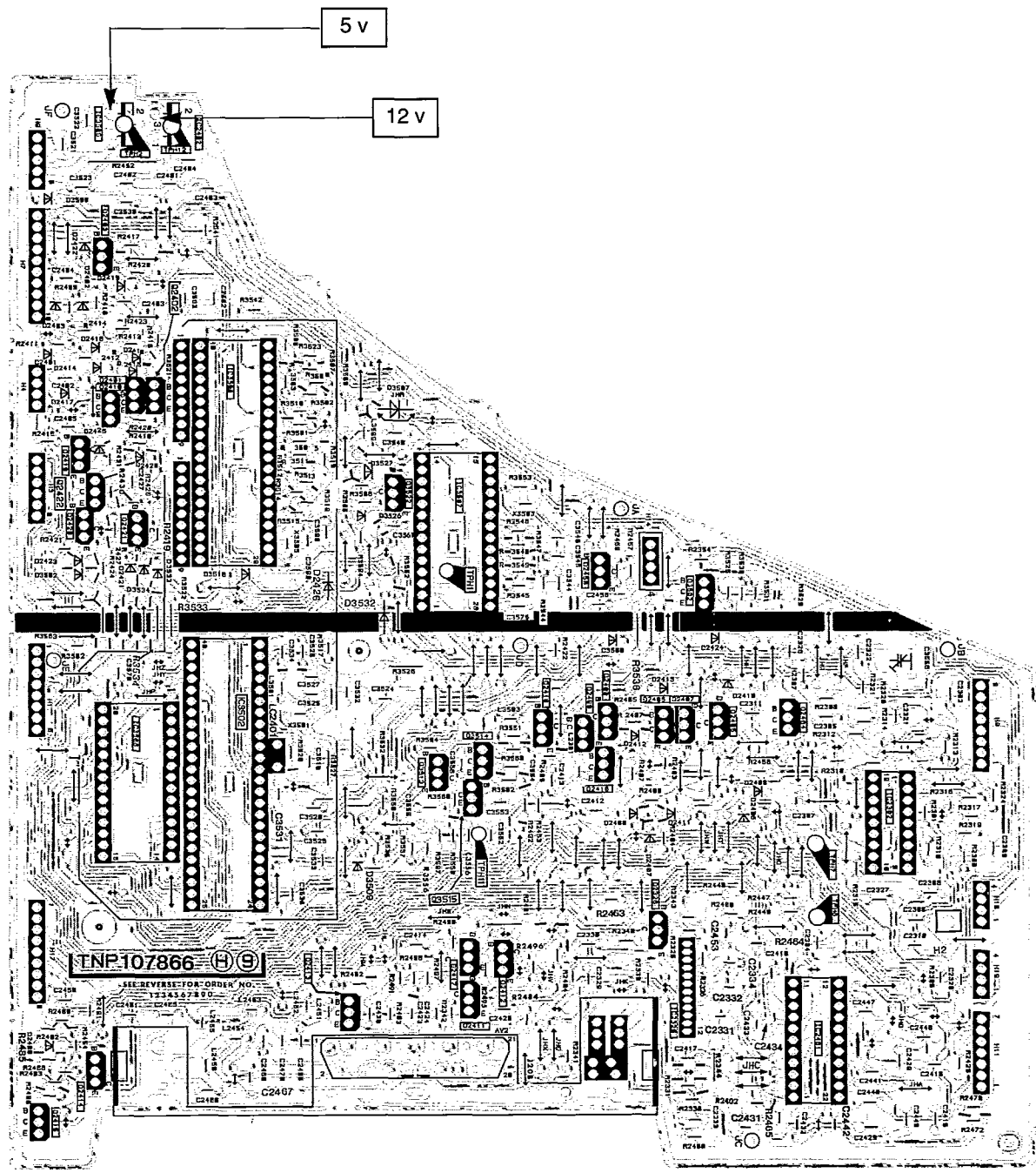
BLOCK DIAGRAM



CONDUCTOR VIEWS

H-BOARD TNP107866

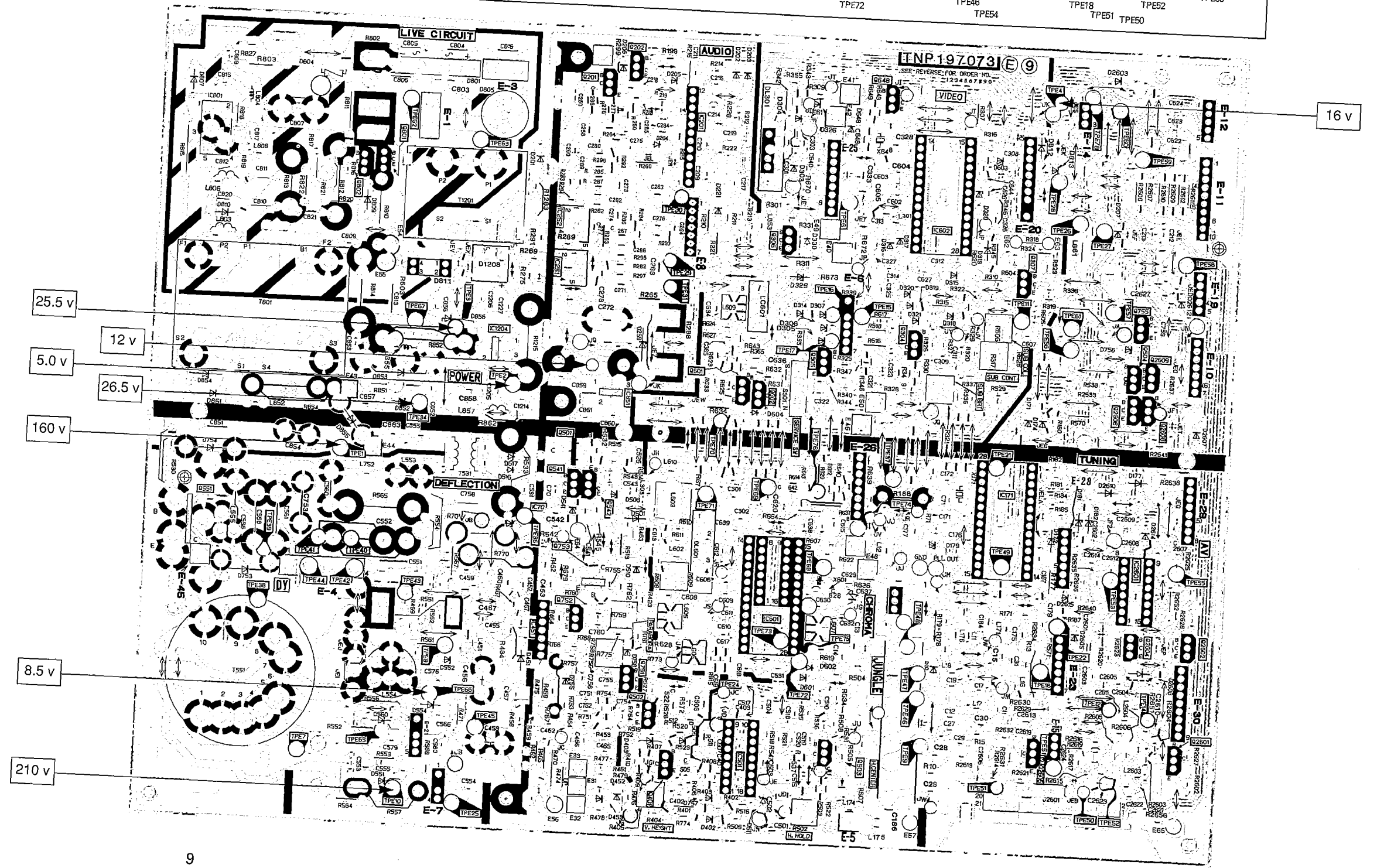
IC	IC3505 IC3506	IC3500 IC3502	IC3507	IC2325	IC2401	IC2302
TRANSISTOR	Q2403 Q2401 Q2418 Q2419 Q2422 Q2420 Q2421 Q2415 Q2414	Q2402	Q3522 Q2403 Q3515 Q3513 Q2412 Q2417 Q2411	Q2410 Q2405 Q2409	Q3502 Q2406 Q2407 Q2403	Q2404
DIODES	D3506 D2422 D2401 D2402 D2419 D2403 D2416 D2418 D2417 D2414 D2415 D2423 D2425 D2420 D3502 D2421 D2406 D3534 D3533	D2416 D2418 D2415	D3507 D2527 D3526 D3510 D2426 D3532 D2509	D2412 D2424 D3508 D2413 D2410 D2408 D2411 D2487	D2410 D2409 D2405	
TEST POINTS	TPH2 TPH12		TPH1 TPH11		TPH7 TPH8	



E-BOARD TNP197073

IX-28G
IX-25G

I.C.	IC801	IC1204	IC251 IC252 IC451	IC851	IC201	IC501	IC601	IC602	IC171	IC2601	
TRANSISTOR	Q802 Q801	Q201 Q202	Q501 Q541 Q542 Q753	Q751	Q502 Q401	Q601 Q306 Q602	Q304	Q2605	Q2604	Q2602 Q2601	
DIODE	D807 D854 D851	D809 D853 D811 D852	D805 D1208	D201	D206 D810 D508	D205 D202 D203	D330 D314 D306 D305 D307	D320 D319 D321	D603 D313 D323	D171 D174 D2603 D2610 D181 D182 D2615 D2605	
TEST POINT	TPE39 TPE38 TPE44 TPE7	TPE1 TPE41 TPE40 TPE42	TPE62 TPE67 TPE34 TPE3 TPE43 TPE8 TPE66 TPE45 TPE10 TPE25	TPE2	TPE5 TPE29 TPE30 TPE31	TPE70 TPE71	TPE16 TPE17 TPE76 TPE73 TPE75 TPE72	TPE68 TPE15	TPE48 TPE47 TPE46 TPE54	TPE4 TPE28 TPE26 TPE61 TPE56 TPE22 TPE18 TPE51 TPE50	TPE59 TPE57 TPE53 TPE52 TPE58 TPE55



CONDUCTOR VIEWS

B-BOARD TNP8EB001

IC	IC202 IC2901 IC2102 IC2902	IC2802 IC2801 IC2201	IC2101 IC2004	IC101	IC102	IC2002	IC2001	IC2003	
TRANSISTORS	Q2905 Q2254 Q2204	Q2904 Q2108 Q2112 Q2111 Q2202 Q2203	Q2113 Q2105 Q2115 Q105 Q2101 Q104	Q2109 Q2110 Q2001 Q101 Q180		Q2003 Q2002	Q2008 Q2007	Q2902 Q2903 Q2901	
DIODES	D2901 D2207	D2902 D2903 D2105 D2106	D2109 D2104 D2103 D2101 D2102	D105 D106	D104				
TEST POINT	TPB21 TPB8 TPB15 TPB33	TPB2 TPB8 TPB30 TPB24	TPB41 TPB9 TPB5	TPB31 TPB40 TPB37	TPB12 TPB13 TPB16 TPB14	TPB1 TPB25 TPB4	TPB44 TPB46 TPB3	TPB47 TPB29 TPB43 TPB10 TPB45	TPB32

SCHEMATIC DIAGRAM FOR MODELS

TX-28/25G1

(ALPHA-2 CHASSIS)

IMPORTANT SAFETY NOTICE
Components identified by Δ mark have special characteristics important for safety. When replacing any of these components, use only manufacturer's specified parts.

NOTES:

1. RESISTOR

All resistors are carbon 1/4W resistor, unless marked as follows:
Unit of resistance is OHM (Ω) (K = 1,000, M = 1,000,000).

- \circ : Nonflammable
- \triangle : Solid
- \square : Wire Wound
- \boxtimes : Metal Oxide
- \odot : Metal Film
- \ominus : Fuse

2. CAPACITOR

All capacitors are ceramic 50V capacitor, unless marked as follows:
Unit of capacitance is uF, unless otherwise stated.

- \circ : Temperature Compensation
- M : Polyester
- M : Metallised Polyester
- \boxtimes : Polypropylene
- ---|---|--- : Electrolytic
- ---|---|--- : Bipolar
- ---|---|--- : Dipped Tantalum
- ---|---|--- : Z-Type

3. COIL

Unit of inductance is uH, unless otherwise stated.

4. TEST POINT

- \bullet : Test Point position

5. EARTH SYMBOL

- ---|---|--- : Chassis Earth (Cold)
- ---|---|--- : Line Earth (Hot)

6. VOLTAGE MEASUREMENT

Voltage is measured by a DC voltmeter.
Measurement conditions are as follows.

- Power source : AC 240V, 50Hz
- Receiving Signal : Colour Bar signal (RF)
- All customer controls : Maximum position

- \blacktriangleright : Indicates the Video signal path
- \blacktriangleleft : Indicates the Audio signal path
- \blacktriangleright : Indicates the Vertical/Horizontal signal path

8. This schematic diagram is the latest at the time of printing and is subject to change without notice.

REMARKS

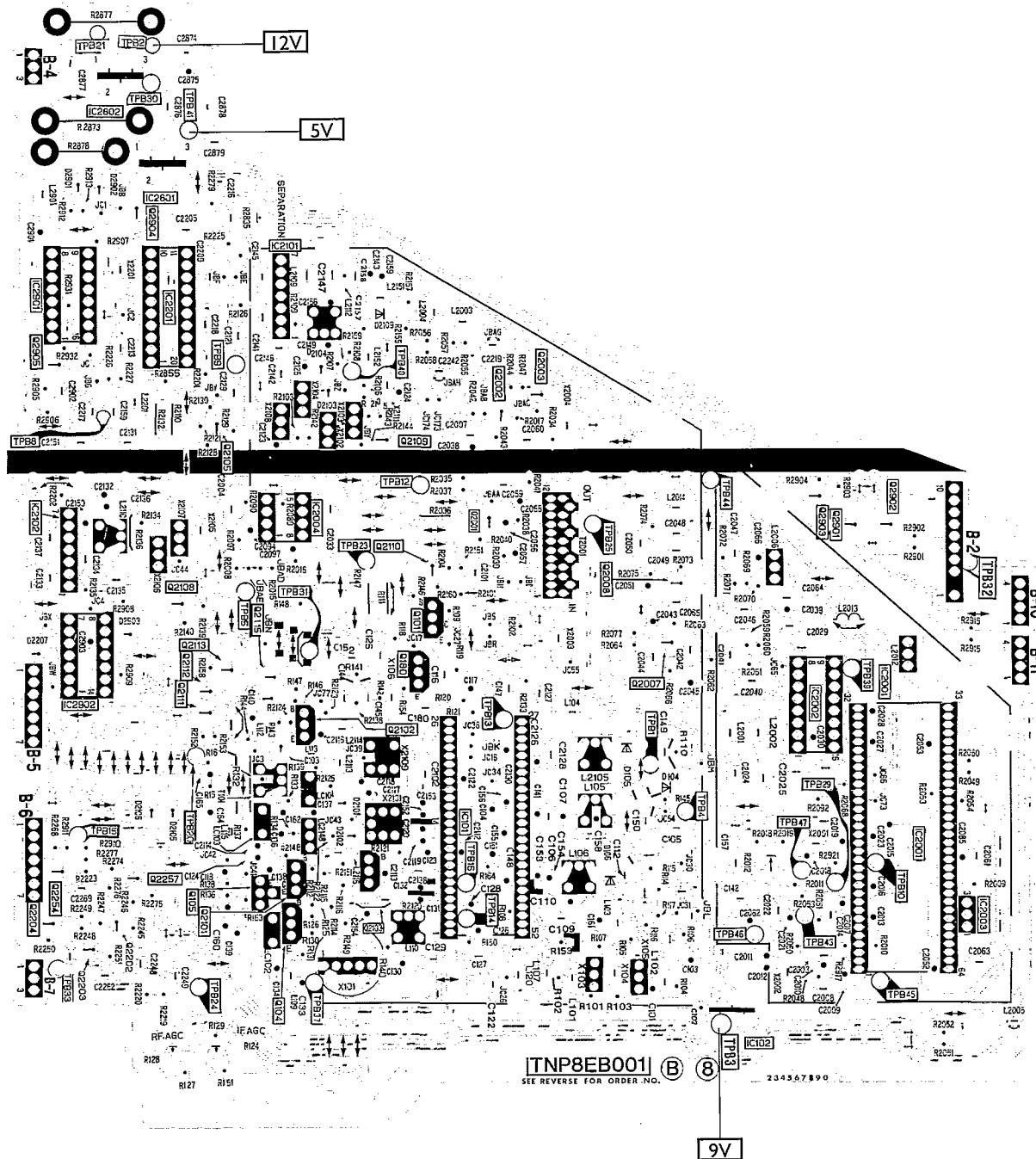
- 1. The power Circuit contains a circuit area which uses a separate power supply to isolate the earth connection. The circuit is defined by HOT and COLD indications in the schematic diagram. Take the following precautions. All circuits, except the power Circuit, are COLD.

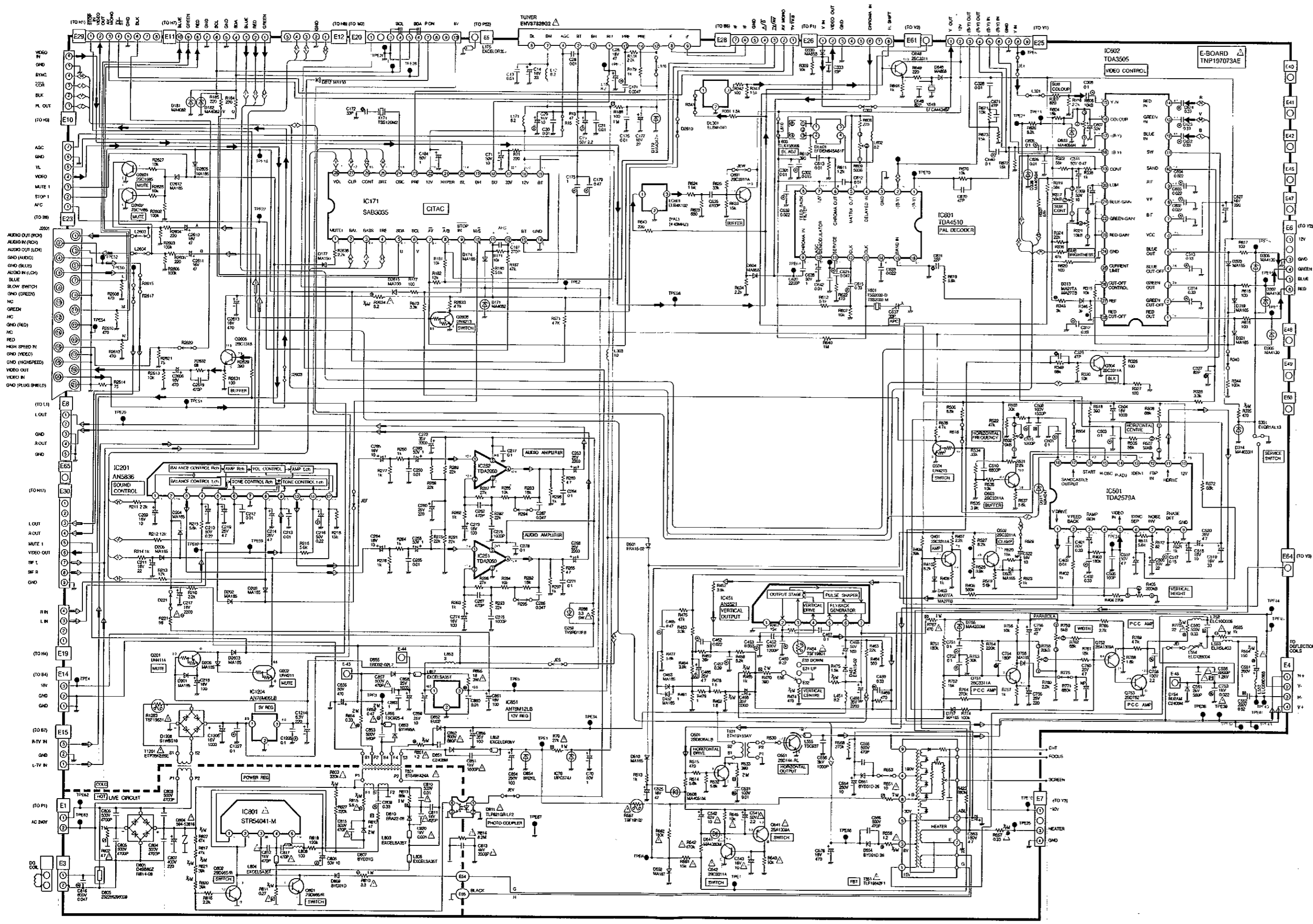
Precautions

- a. Do not touch the hot part or the hot and cold parts at the same time as you are liable to a shock hazard.
- b. Do not short-circuit the hot and cold circuits as electrical components may be damaged.
- c. Do not connect an instrument, such as an oscilloscope, to the hot and cold circuits simultaneously, as this may cause fuse failure. Connect the earth of the instruments to the earth connection of the circuit being measured.
- d. Make sure to disconnect the power plug before removing the chassis.

2. The following resistors are fusible safety components, and are rated at the following values:

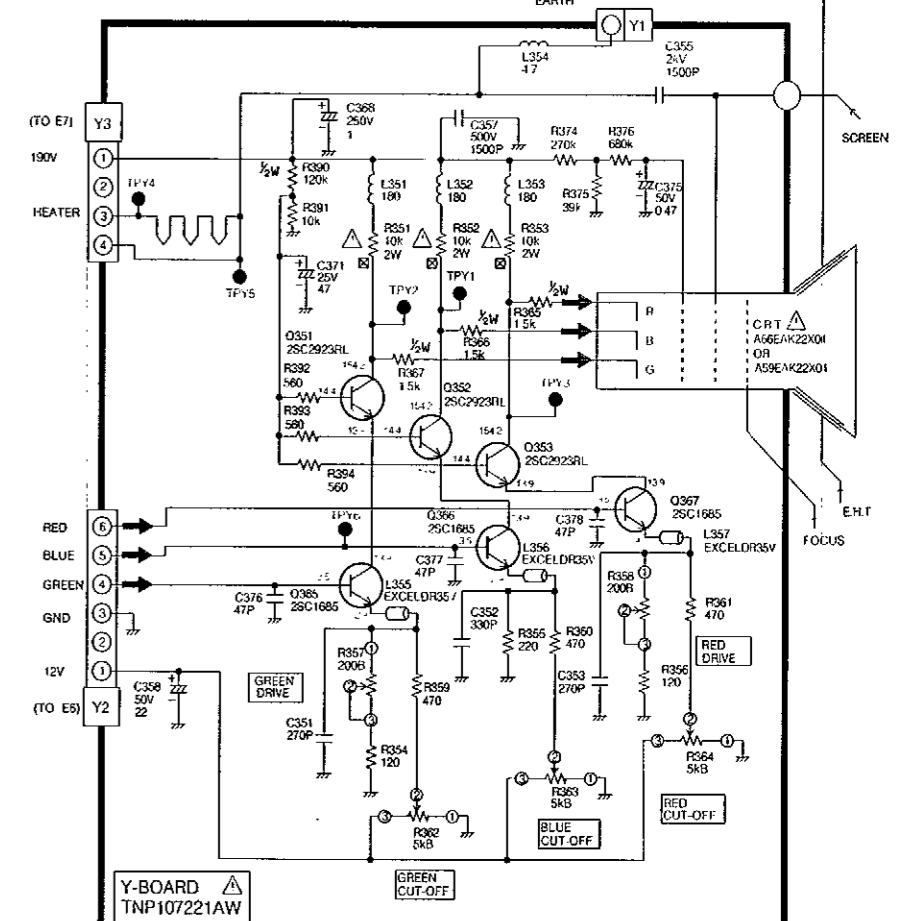
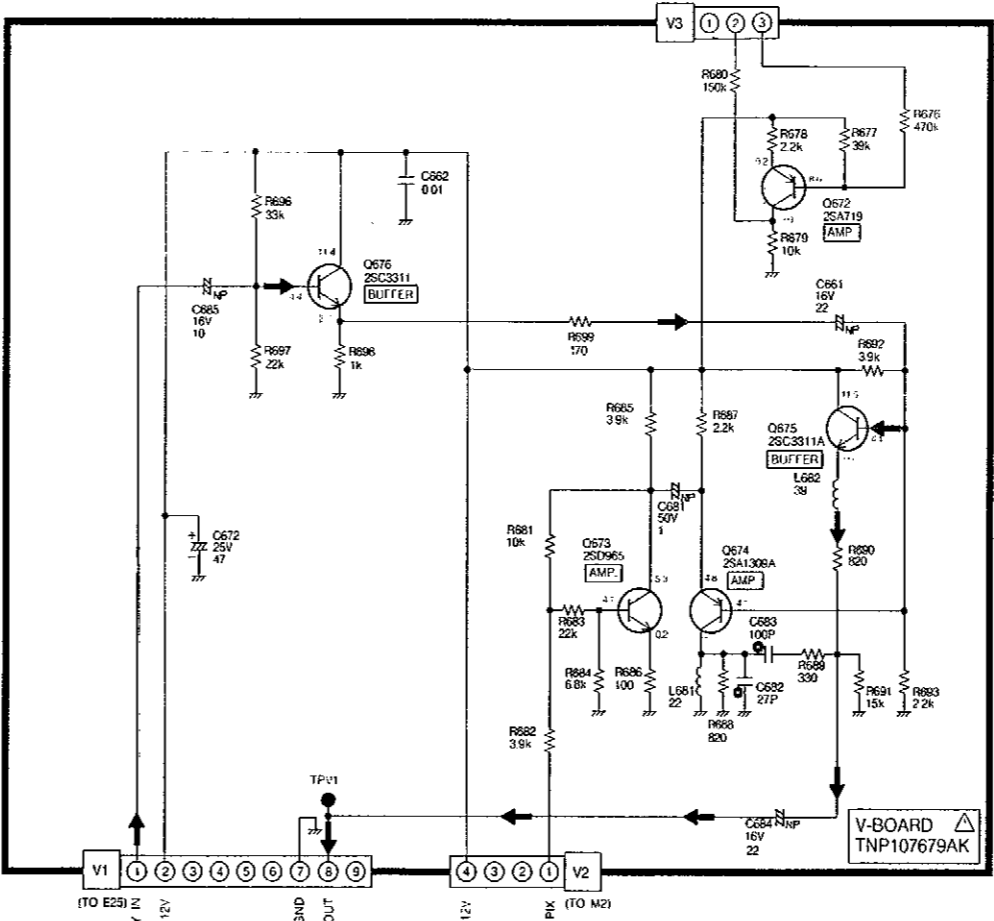
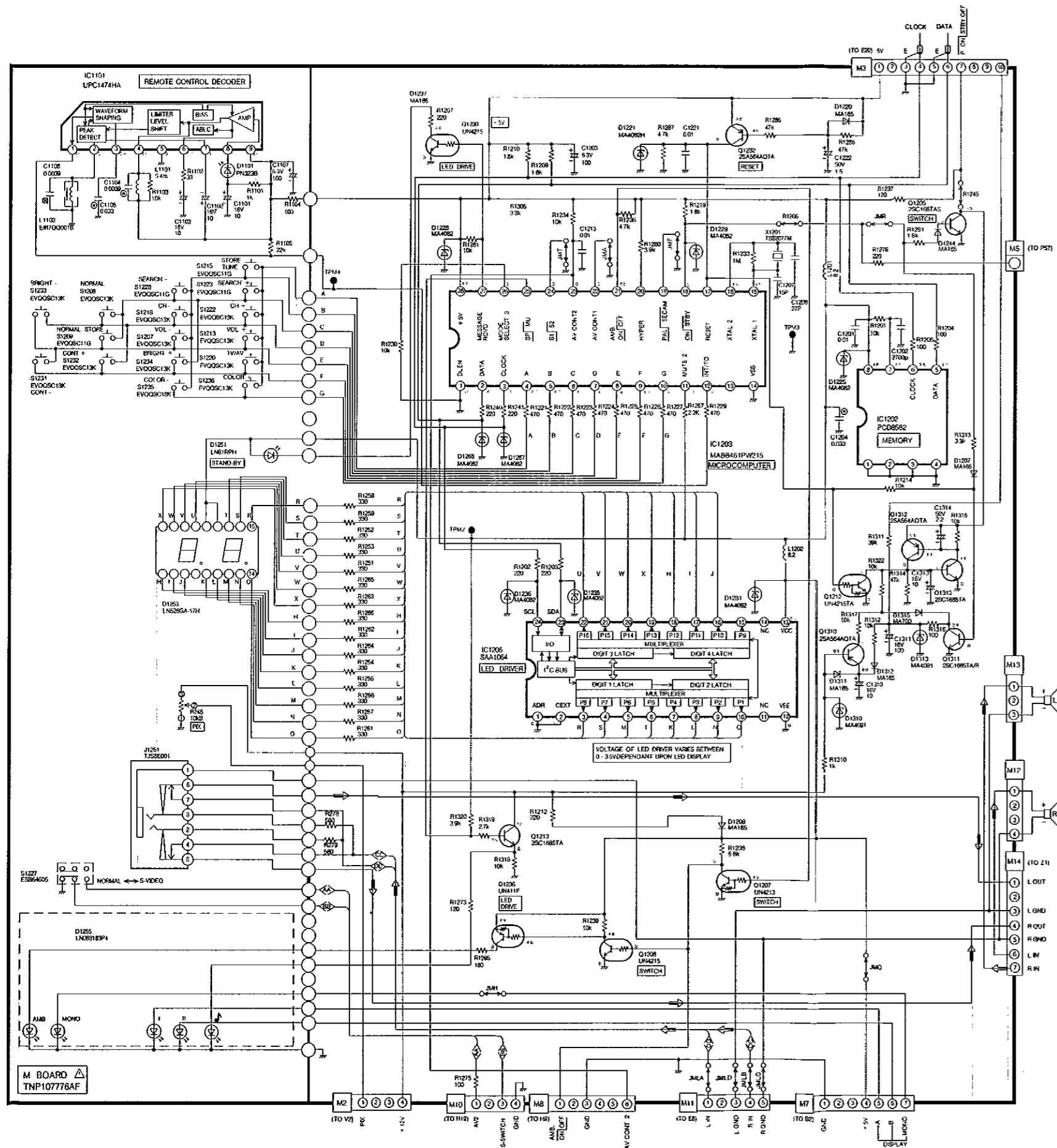
Ref.	Part number	Current rating
R484	TSF19801	800mA
R567	TSF19102	1A
R1283	TSF19631	630mA

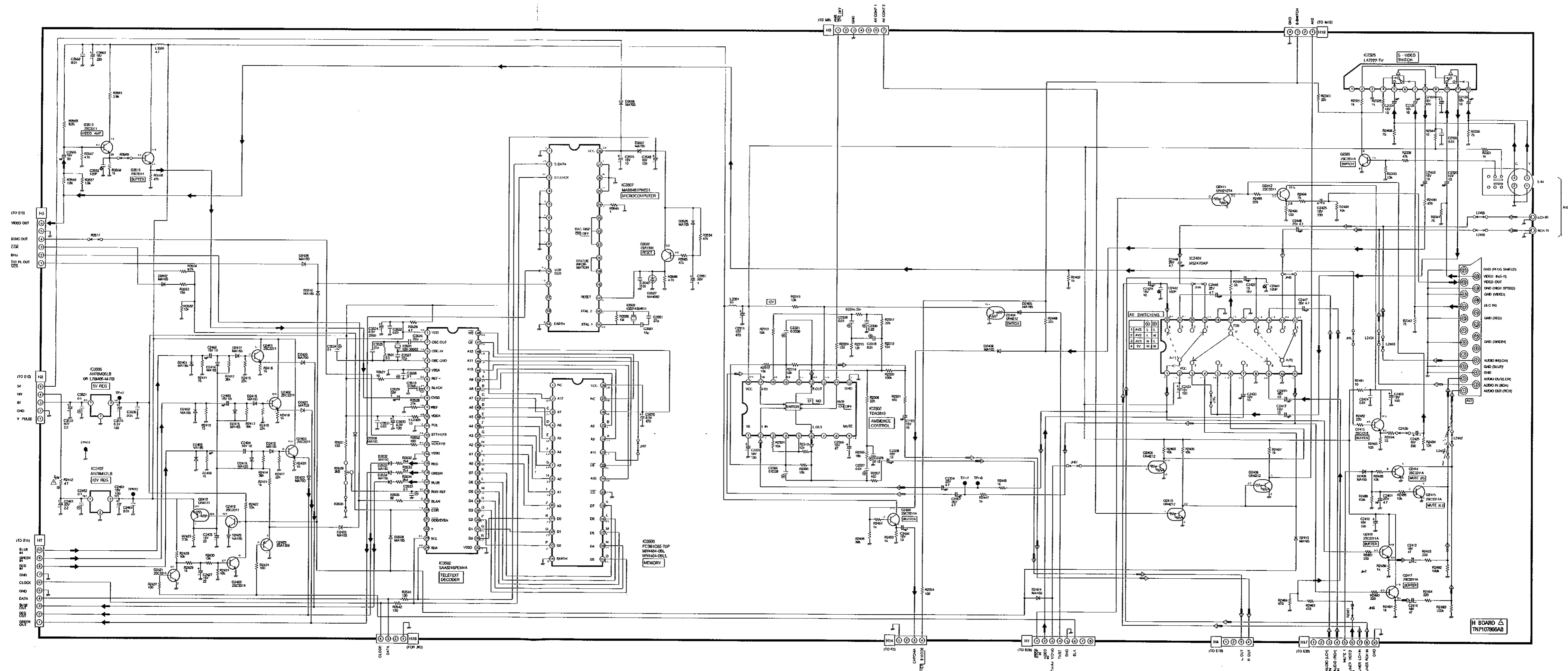




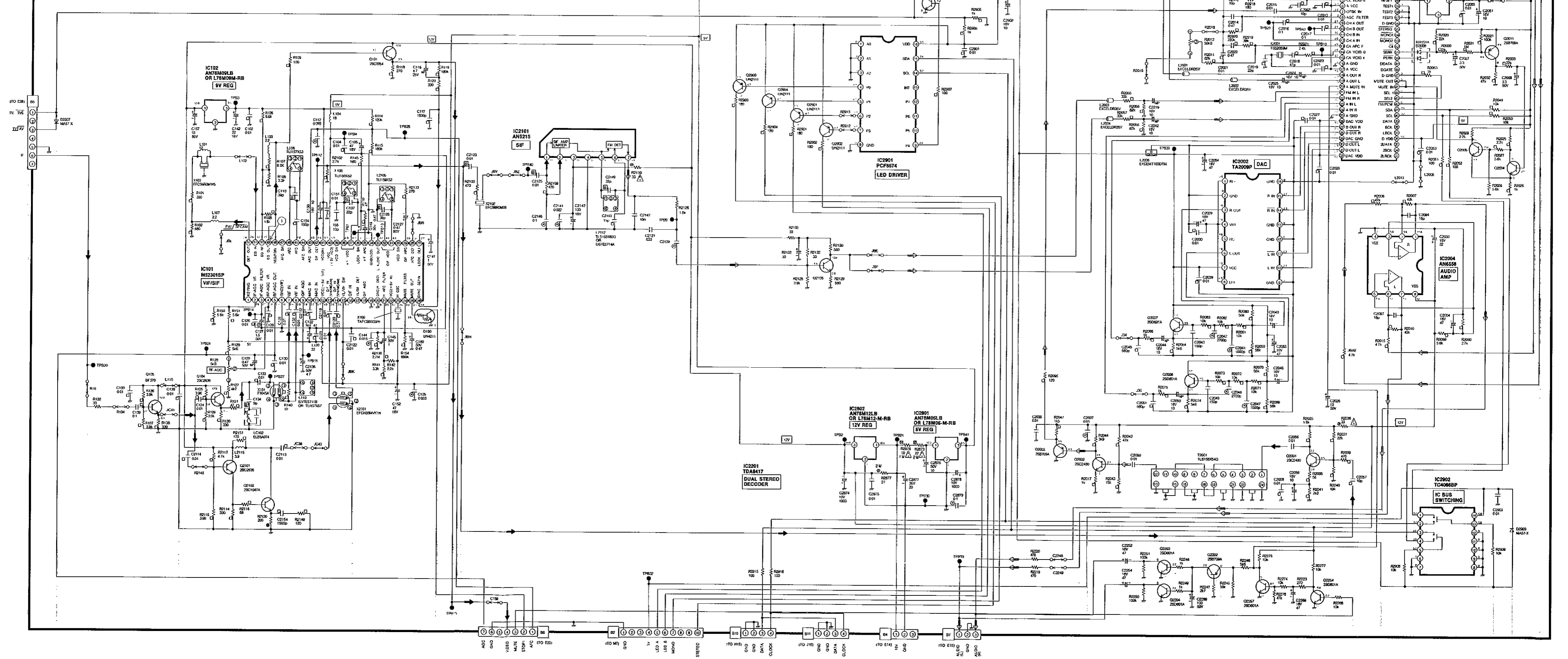
WAVEFORM PATTERN TABLE

<p>Pin 49 IC101</p> <p>2.6Vp-p (20µs)</p>	<p>Pin 8 IC3502</p> <p>2.5Vp-p (20µs)</p>	<p>Pin 17 IC2401</p> <p>2.5Vp-p (20µs)</p>
<p>Pin 15 IC602</p> <p>0.5Vp-p (20µs)</p>	<p>Pin 9 IC601</p> <p>1.6Vp-p (20µs)</p>	<p>Pin 4 IC601</p> <p>0.5Vp-p (20µs)</p>
<p>Pin 6 IC601</p> <p>0.3Vp-p (20µs)</p>	<p>Pin 11 IC501</p> <p>1.8Vp-p (20µs)</p>	<p>Pin 15 IC501</p> <p>3Vp-p (20µs)</p>
<p>Pin 6 IC451</p> <p>2.8Vp-p (5ms)</p>	<p>TPE42</p> <p>45Vp-p (5ms)</p>	<p>Pin 1 IC501</p> <p>4.0Vp-p (5ms)</p>
<p>Pin 4 IC451</p> <p>3.8Vp-p (5ms)</p>	<p>Pin 10 T551</p> <p>22Vp-p (20µs)</p>	<p>Pin 4 T551</p> <p>75Vp-p (20µs)</p>
<p>COLLECTOR Q551</p> <p>1600Vp-p (20µs)</p>	<p>BASE Q551</p> <p>15Vp-p (20µs)</p>	<p>TPE69</p> <p>0.2Vp-p (20µs)</p>
<p>TPE17</p> <p>3.2Vp-p (20µs)</p>	<p>TPE16</p> <p>3.2Vp-p (20µs)</p>	<p>TPE15</p> <p>3.2Vp-p (20µs)</p>
<p>TPY1</p> <p>115Vp-p (20µs)</p>	<p>TPY2</p> <p>120Vp-p (20µs)</p>	<p>TPY3</p> <p>120Vp-p (20µs)</p>

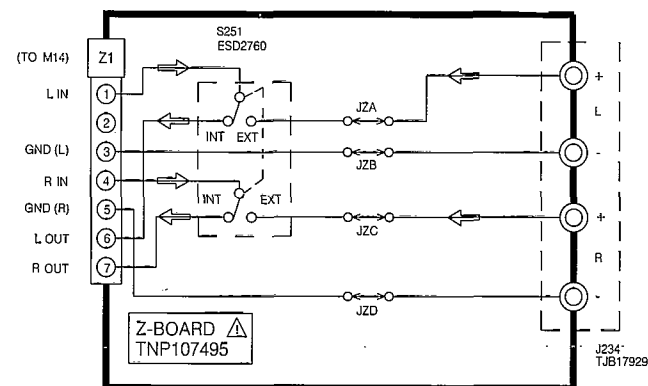
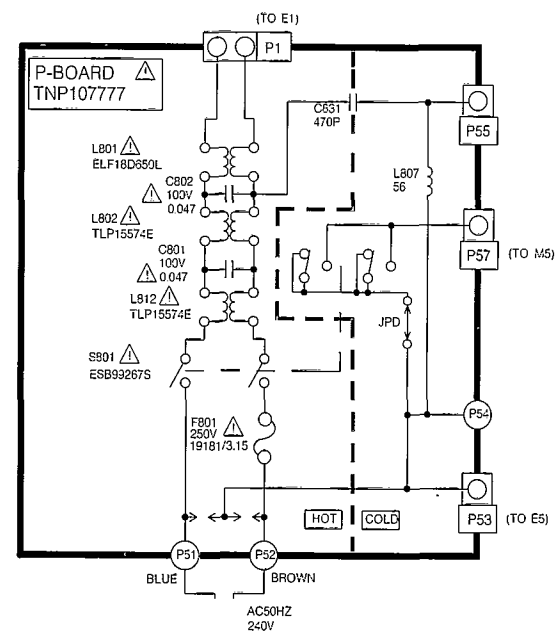
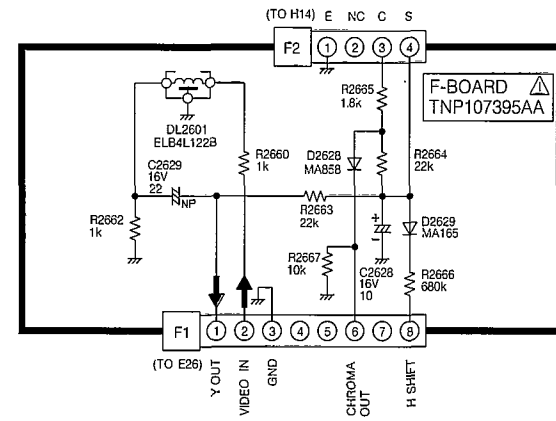




B- BOARD & TNP8EB001AD



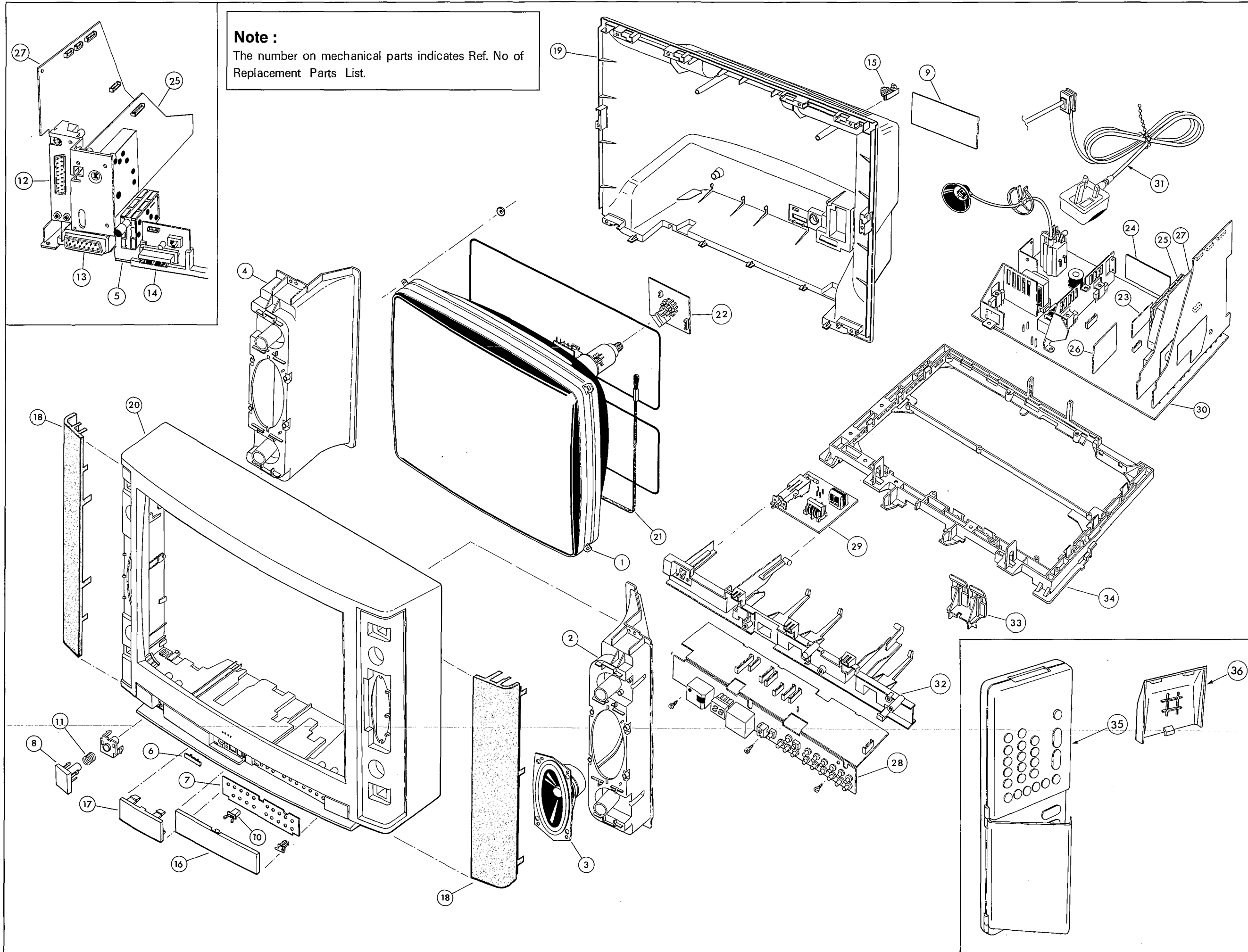
NOTES



A large rectangular area with horizontal dashed lines, intended for handwritten notes.

PARTS LOCATION

Note :
The number on mechanical parts indicates Ref. No of Replacement Parts List.



REPLACEMENT PARTS LIST

Important Safety Notice

Components identified by Δ mark have special characteristics important for safety. When replacing any of these components, use only manufacturer's specified parts.

Ref No.	Part No.	Description		
MISCELLANEOUS COMPONENTS				
1)	A66EAK220X01	C. R. T. Δ		
2)	TKK8E008	SPEAKER BOX BODY		
3)	EAS16D526K-G	SPEAKER		
4)	TKK8E008-A	SPK BOX ASSY		
5)	ENV87826G2	TUNER Δ		
6)	TBM153010	PANASONIC BADGE		
7)	TBM8E1072	PRESET LABEL		
8)	TBX8E007	POWER BUTTON (FITTED)		
9)	TBM8E1168	REAR COVER LABEL		
10)	TEK6935	LID SWITCH		
11)	TES8E001	SPRING (FOR POWER BUTTON)		
12)	TJB17641-1	A. V. TERMINAL		
14)	TJB17943	EXT. SPK TERMINAL		
15)	TKR27800	BACK COVER FIXING BLOCK		
16)	TKP8E1060	CONTROL PANEL LID		
17)	TKP8E1077	SMOKED PANEL		
18)	TKP8E1062	SPK NET WITH FOAM		
19)	TKU8E00122	BACK COVER Δ		
20)	TKY8E008	CABINET Δ		
21)	TLK259096N	DEGAUSS COIL Δ		
22)	TNP107221AW	Y P. C. B. Δ		
23)	TNP107395AA	F P. C. B. Δ		
24)	TNP107495	Z P. C. B. Δ		
25)	TNP8EB001AD	B P. C. B. Δ		
26)	TNP107679AK	V P. C. B. Δ		
27)	TNP107866AB	H P. C. B. Δ		
28)	TNP107776AF	M P. C. B. Δ		
29)	TNP107777	P P. C. B. Δ		
30)	TNP197073AE	E P. C. B. Δ		
31)	TSX8E0010	A. C. CORD Δ		
32)	TMW8E001	CONTROL BRACKET		
33)	TMX17111-2	H/B PCB BRACKET		
34)	TMX17114-1	CHASSIS FRAME		
35)	TNQ8E0455	REMOTE CONTROL		
36)	UR51EC682	BATTERY COVER		
	TBM120988	ANT BLIND SHEET		
	TKZ179228-1	C. R. T. FIXING METAL		
	TBX3783600	STEREO-MONO BUTTON		
	TKK8E010	POWER BUTTON SPACER		
	TPC8E4288	OUTER CARTON		
	TPD8E534	TOP CUSHION		
	TPD8E535	BOTTOM CUSHION		
	TQB8E0661	INSTRUCTION BOOK		
	520-001	FUSE HOLDER		
DL301	ELB4N040	COIL		
DL601	EPDEN645A61F	DELAY LINE		
DL2601	ELB4L122B	COIL		
F801	2133.15	FUSE Δ		
	TS2550	TV STAND		
DIFFERENCE LIST FOR TX-25G1				
MISCELLANEOUS COMPONENTS				
1)	A59EAK220X01	C. R. T. Δ		
9)	TBM8E1169	REAR COVER LABEL		
18)	TKP8E1067	SPK NET WITH FOAM		
19)	TKU8E00125	BACK COVER Δ		
20)	TKY8E010	CABINET Δ		
	TPC8E4289	OUTER CARTON		
	TPD8E541	TOP CUSHION		
	TPD8E542	BOTTOM CUSHION		
CAPACITORS				
C13	ECKC1H103JB	CERAMIC	50V	10nF
C14	ECEA1CU330	ELECT	16V	33 μ F
C15	ECEA50Z2R2	ELECT	50V	2.2 μ F
C26	ECEA1CU470	ELECT	16V	47 μ F

Ref No.	Part No.	Description		
C28	ECKC1H103JB	CERAMIC	50V	10nF
C29	ECEA16Z10	ELECT	16V	10 μ F
C30	ECKC1H103JB	CERAMIC	50V	10nF
C31	ECKC1H103JB	CERAMIC	50V	10nF
C70	ECEA1HU010	ELECT	50V	1 μ F
C71	ECEA1HU100	ELECT	50V	10 μ F
C102	ECUV1H103ZFM	S. M. CAP	50V	10nF
C104	ECUV1H103ZFM	S. M. CAP	50V	10nF
C105	ECEA1CU470	ELECT	16V	47 μ F
C107	ECUV1H220JRM	S. M. CAP	50V	22pF
C110	ECUV1H390JSM	S. M. CAP	50V	39pF
C112	ECQB1H683K	FILM	50V	68nF
C116	ECEA1EN4R7	ELECT	25V	4.7 μ F
C117	ECUV1H102KBM	S. M. CAP	50V	1nF
C122	ECEA1CU470	ELECT	16V	47 μ F
C123	ECUV1H103ZFM	S. M. CAP	50V	10nF
C124	ECUV1H103ZFM	S. M. CAP	50V	10nF
C125	ECQB1H333J	FILM	50V	33nF
C126	ECUV1H103ZFM	S. M. CAP	50V	10nF
C127	ECEA50Z1R5	ELECT	50V	1 μ F
C128	ECUV1H103ZFM	S. M. CAP	50V	10nF
C129	ECEA1HNR47	ELECT	50V	0.47 μ F
C130	ECUV1H103ZFM	S. M. CAP	50V	10nF
C131	ECUV1H103ZFM	S. M. CAP	50V	10nF
C132	ECUV1H103ZFM	S. M. CAP	50V	10nF
C133	ECUV1H103ZFM	S. M. CAP	50V	10nF
C134	ECUV1H090DCM	S. M. CAP	50V	9pF
C138	ECUV1H101KM	S. M. CAP	50V	100pF
C139	ECUV1H103ZFM	S. M. CAP	50V	10nF
C142	ECEA1CU220	ELECT	16V	22 μ F
C144	ECQB1H153K	FILM	50V	15nF
C145	ECEA1HN010	ELECT	50V	1 μ F
C147	ECEA1HU010	ELECT	50V	1 μ F
C149	ECEA1HUR47	ELECT	50V	0.47 μ F
C150	ECEA1CU100	ELECT	16V	10 μ F
C151	ECUV1H103ZFM	S. M. CAP	50V	10nF
C152	ECEA1CU470	ELECT	16V	47 μ F
C154	ECUV1H151JM	S. M. CAP	50V	150pF
C157	ECEA1HU100	ELECT	50V	10 μ F
C158	ECUV1H010CCM	S. M. CAP	50V	10pF
C160	ECUV1H103ZFM	S. M. CAP	50V	10nF
C161	ECUV1H680JM	S. M. CAP	50V	68pF
C171	ECQM1H472J	FILM	50V	4700pF
C172	ECCR1H330J	CERAMIC	50V	33pF
C175	ECQV1H105JZ	FILM	50V	1 μ F
C176	ECKC1H103JB	CERAMIC	50V	10nF
C177	ECEA1AU220	ELECT	10V	22 μ F
C179	ECQM1H474J	FILM	50V	470nF
C180	ECEA1HUR47	ELECT	50V	0.47 μ F
C184	ECEA1HU010	ELECT	50V	1 μ F
C187	ECKC1H271J	CERAMIC	50V	270pF
C209	ECEA1CU100	ELECT	16V	10 μ F
C210	ECEA50ZR22	ELEC	50V	0.22 μ F
C211	ECEA1CU220	ELECT	16V	22 μ F
C212	ECKC1H103JB	CERAMIC	50V	10nF
C213	ECKC1H103JB	CERAMIC	50V	10nF
C214	ECEA1EU4R7	ELECT	25V	4.7 μ F
C216	ECEA50ZR22	ELEC	50V	0.22 μ F
C217	ECEA1CU332	ELECT	16V	3300 μ F
C218	ECEA1CU101	ELECT	16V	100 μ F
C219	ECEA1EU4R7	ELECT	25V	4.7 μ F
C250	ECQM1H103J	FILM	50V	10nF
C258	ECEA1HU010	ELECT	50V	1 μ F
C260	ECEA1HU010	ELECT	50V	1 μ F
C262	ECKC1H471J	CERAMIC	50V	470pF

Ref No.	Part No.	Description			
C263	ECEA1EU222	ELECT	25V	2200μF	
C266	ECQM1H103J	FILM	50V	10nF	
C267	ECKC1H471J	CERAMIC	50V	470pF	
C268	ECEA1EU222	ELECT	25V	2200μF	
C271	ECQM1H104J	FILM	50V	100nF	
C272	ECEA1VU332	ELECT	35V	3300μF	
C273	ECEA1CU101	ELECT	16V	100μF	
C274	ECEA1CU101	ELECT	16V	100μF	
C275	ECQM1H102J	FILM	50V	1nF	
C276	ECQM1H102J	FILM	50V	1nF	
C277	ECQM1H104J	FILM	50V	100nF	
C278	ECQM1H104J	FILM	50V	100nF	
C280	ECEA1EU221	ELECT	25V	220μF	
C284	ECEA1CU100	ELECT	16V	10μF	
C285	ECEA1CU100	ELECT	16V	10μF	
C286	ECQM1H473J	FILM	50V	47nF	
C287	ECQM1H473J	FILM	50V	47nF	
C301	ECKC1H103JB	CERAMIC	50V	10nF	
C302	ECQM1H153J	FILM	50V	15nF	
C308	ECQM1H104J	FILM	50V	100nF	
C309	ECEA1HU100	ELECT	50V	10μF	
C311	ECEA1HUR47	ELECT	50V	0.47μF	
C312	ECQM1H334J	FILM	50V	330nF	
C313	ECQM1H334J	FILM	50V	330nF	
C314	ECQM1H334J	FILM	50V	330nF	
C323	ECCR1H470J	CERAMIC	50V	47pF	
C327	ECCR1H820J	CERAMIC	50V	82pF	
C328	ECKC1H103JB	CERAMIC	50V	10nF	
C333	ECCR1H330J	CERAMIC	50V	33pF	
C351	ECCR1H271J	CERAMIC	50V	270pF	
C352	ECCR1H331J	CERAMIC	50V	330pF	
C353	ECCR1H271J	CERAMIC	50V	270pF	
C355	ECKC3D152J	CERAMIC	2KV	1.5nF Δ	
C357	ECKC2H152J	CERAMIC	500V	1.5nF Δ	
C358	ECEA1HU220	ELECT	50V	22μF	
C368	ECEA2EU010	ELECT	250V	1μF	
C371	ECEA1EU470	ELECT	25V	47μF	
C375	ECEA1HUR47	ELECT	50V	0.47μF	
C376	ECCR1H470J	CERAMIC	50V	47pF	
C377	ECCR1H470J	CERAMIC	50V	47pF	
C378	ECCR1H470J	CERAMIC	50V	47pF	
C401	ECEA1HUR33	ELECT	50V	0.33μF	
C403	ECKC1H103JB	CERAMIC	50V	10nF	
C452	ECKC2H122J	CERAMIC	500V	1200pF Δ	
C453	ECQM1H333J	FILM	50V	33nF	
C455	ECEA1HGE101	ELECT	50V	100μF	
C456	ECEA1VGE222	ELECT	35V	2200μF	
C457	ECQM1H394J	FILM	50V	390nF	
C458	ECEA1VU332	ELECT	35V	3300μF	
C459	ECQM1H334J	FILM	50V	330nF	
C460	ECQM1H224J	FILM	50V	220nF	
C462	ECQM1H223J	FILM	50V	22nF	
C465	ECQM1H474J	FILM	50V	470nF	
C466	ECEA25Z4R7	ELECT	25V	4.7μF	
C467	ECQM1H104J	FILM	50V	100nF	
C501	ECQM1H104J	FILM	50V	100nF	
C502	ECQP1152GZ	FILM	100V	1.5nF	
C503	ECQM1H104J	FILM	50V	100nF	
C504	ECEA1CU102	ELECT	16V	1000μF	
C505	ECCR1H680J	CERAMIC	50V	68pF	
C506	ECEA1HU220	ELECT	50V	22μF	
C507	ECEA1HU4R7	ELECT	50V	4.7μF	
C510	ECQM1H682J	FILM	50V	6800pF	
C515	ECQM1H122J	FILM	50V	1200pF	
C517	ECQM1H154J	FILM	50V	150nF	
C518	ECEA1CU100	ELECT	16V	10μF	
C519	ECEA1CU330	ELECT	16V	33μF	
C520	ECEA1VU4R7	ELECT	35V	4.7μF	
C522	ECEA1CN100	ELECT	16V	10μF	
C525	ECEA1CU470	ELECT	16V	47μF	
C531	ECQM1103KZ	FILM	100V	10nF	
C541	ECEA1HU2R2	ELECT	50V	2.2μF	
C542	ECEA1JU100	ELECT	63V	10μF	
C543	ECEA1CU100	ELECT	16V	10μF	
C551	ECEA2VG010	ELECT	350V	1μF	
C553	ECEA2CU4R7	ELECT	160V	4.7μF	
C554	ECEA2EU100	ELECT	250V	10μF	
C555	ECKC2H471J	CERAMIC	500V	470pF Δ	
C560	ECWF2H334JZ	FILM	500V	330nF Δ	

Ref No.	Part No.	Description			
C566	ECKC2H471J	CERAMIC	500V	470pF Δ	
C576	ECEA1CGE471	ELECT	16V	470μF	
C602	ECQM1H223J	FILM	50V	22nF	
C603	ECQM1H223J	FILM	50V	22nF	
C604	ECQM1H223J	FILM	50V	22nF	
C605	ECQM1H104J	FILM	50V	100nF	
C607	ECEA1HU010	ELECT	50V	1μF	
C612	ECKC1H103JB	CERAMIC	50V	10nF	
C613	ECKC1H103JB	CERAMIC	50V	10nF	
C615	ECQM1H334J	FILM	50V	330nF	
C620	ECKC1H222J	CERAMIC	50V	2.2nF	
C621	ECQM1H473J	FILM	50V	47nF	
C622	ECQM1H334J	FILM	50V	330nF	
C623	ECQM1H334J	FILM	50V	330nF	
C624	ECQM1H334J	FILM	50V	330nF	
C626	ECKC1H103JB	CERAMIC	50V	10nF	
C627	ECEA1CU221	ELECT	16V	220μF	
C628	ECQM1H223J	FILM	50V	22nF	
C631	ECCR1H220J	CERAMIC	50V	22pF	
C635	ECKC1H472J	CERAMIC	50V	4.7nF	
C637	ECRLA030E53R	TRIMMER		30pF	
C638	ECEA1HU010	ELECT	50V	1μF	
C639	ECQM1H223J	FILM	50V	22nF	
C640	ECQM1H104J	FILM	50V	100nF	
C642	ECKC1H103JB	CERAMIC	50V	10nF	
C648	ECCR1H820J	CERAMIC	50V	82pF	
C661	ECEA1CN220	ELECT	16V	22μF	
C662	ECKC1H103JB	CERAMIC	50V	10nF	
C670	ECCR1H470JC5	CERAMIC	50V	47pF	
C671	ECEA1EU470	ELECT	25V	47μF	
C672	ECEA1EU470	ELECT	25V	47μF	
C681	ECEA1HN010	ELECT	50V	1μF	
C682	ECCR1H270J	CERAMIC	50V	27pF	
C683	ECCR1H101J	CERAMIC	50V	100pF	
C684	ECEA1CN220	ELECT	16V	22μF	
C685	ECEA1CN100	ELECT	16V	10μF	
C751	ECQM1H104J	FILM	50V	100nF	
C752	ECQM1H104J	FILM	50V	100nF	
C753	ECQM10223JZ	FILM	1KV	22nF	
C754	ECCR1H181J	CERAMIC	50V	180pF	
C755	ECEA1VU470	ELECT	35V	47μF	
C756	ECEA1EU221	ELECT	25V	220μF	
C758	ECQM1225KNB	FILM	100V	2.2μF	
C760	ECEA1EN4R7	ELECT	25V	4.7μF	
C801	222233040473	FILM	400V	47nF Δ	
C802	222233040473	FILM	400V	47nF Δ	
C803	ECKC2H472J	CERAMIC	500V	4.7nF Δ	
C804	ECKC2H472J	CERAMIC	500V	4.7nF Δ	
C805	ECKC2H472J	CERAMIC	500V	4.7nF Δ	
C806	ECKC2H472J	CERAMIC	500V	4.7nF Δ	
C807	ECOS2GA221CA	ELECT	400V	220μF	
C808	ECEA1HFS100	ELECT	50V	10μF	
C809	ECQM1H334J	FILM	50V	330nF	
C810	ECKC2H103J	CERAMIC	50V	10nF Δ	
C813	ECKCNS332J	CERAMIC	1.2KV	3.3nF Δ	
C815	ECKC2H471J	CERAMIC	500V	470pF Δ	
C816	ECQM6473KZ	FILM	600V	47nF	
C817	ECKC1H471J	CERAMIC	50V	470pF	
C831	ECKCWS471J	CAPACITOR			
C852	ECKC2H681J	CERAMIC	500V	680pF Δ	
C853	ECKC2H561J	CERAMIC	500V	560pF Δ	
C854	ECEA2EG101	ELECT	250V	100μF	
C855	ECEA1VGE101	ELECT	35V	100μF	
C856	ECEA1HV471	ELECT	50V	470μF	
C857	ECKC2H471J	CERAMIC	500V	470pF Δ	
C858	ECEA1EGE102	ELECT	25V	1000pF	
C859	ECEA1EGE100	ELECT	25V	10μF	
C860	ECKC1H103JB	CERAMIC	50V	10nF	
C861	ECEA1CGE101	ELECT	16V	100μF	
C863	ECQV1H105JZ	FILM	50V	1μF	
C1101	ECEA16Z10	ELECT	16V	10μF	
C1102	ECEA1CU100	ELECT	16V	10μF	
C1103	ECEA1CU100	ELECT	16V	10μF	
C1104	ECQM1H392J	FILM	50V	3.9nF	
C1105	ECQM1H333J	FILM	50V	33nF	
C1106	ECQP1392JZ	FILM	100V	3.9nF	
C1107	ECEA0JU101	ELECT	6.3V	100μF	
C1134	ECKC1H271J	CERAMIC	50V	270pF	
C1136	ECEA0JU101	ELECT	6.3V	100μF	
C1201	ECKC1H103JB	CERAMIC	50V	10nF	
C1202	ECQM1H272J	FILM	50V	2.7nF	
C1203	ECEA0JU101	ELECT	6.3V	100μF	

Ref No.	Part No.	Description		
C1204	ECQM1H333J	FILM	50V	33nF
C1205	ECKC1H103JB	CERAMIC	50V	10nF
C1205	ECQM1H104J	FILM	50V	100nF
C1206	ECEA1CGE102	ELECT	16V	1000µF
C1207	ECCR1H150J	CERAMIC	50V	15pF
C1208	ECCR1H270J	CERAMIC	50V	27pF
C1213	ECKC1H103JB	CERAMIC	50V	10nF
C1214	ECEA0JGE221	ELECT	6.3V	220µF
C1221	ECKC1H103JB	CERAMIC	50V	10nF
C1222	ECEA50Z1R5	ELECT	50V	1µF
C1227	ECQM1H104J	FILM	50V	100nF
C1310	ECEA1CU100	ELECT	16V	10µF
C1311	ECEA1CU101	ELECT	16V	100µF
C1313	ECEA1CU100	ELECT	16V	10µF
C1314	ECEA1HU2R2	ELECT	50V	2.2µF
C2003	ECCR1H220J	CERAMIC	50V	22pF
C2004	ECEA1CU470	ELECT	16V	47µF
C2007	ECQB1H104J	S.M. CAP	50V	100nF
C2008	ECQM1H474J	FILM	50V	470nF
C2009	ECUV1H103ZFM	S.M. CAP	50V	10nF
C2011	ECUV1H180JCM	S.M. CAP	50V	18pF
C2012	ECUV1H100DCM	S.M. CAP	50V	10pF
C2013	ECUV1H103ZFM	S.M. CAP	50V	10nF
C2014	ECQM1H474J	FILM	50V	470nF
C2015	ECUV1H103ZFM	S.M. CAP	50V	10nF
C2016	ECUV1H104KBW	S.M. CAP	50V	100nF
C2017	ECUV1H104KBW	S.M. CAP	50V	100nF
C2018	ECUV1H470JRM	S.M. CAP	50V	47pF
C2019	ECUV1H220JRM	S.M. CAP	50V	22pF
C2021	ECUV1H103ZFM	S.M. CAP	50V	10nF
C2022	ECQM1H474J	FILM	50V	470nF
C2023	ECUV1H103ZFM	S.M. CAP	50V	10nF
C2024	ECEA1CN100	ELECT	16V	10µF
C2025	ECEA1CN100	ELECT	16V	10µF
C2026	ECEA1HU100	ELECT	50V	10µF
C2027	ECUV1H103ZFM	S.M. CAP	50V	10nF
C2028	ECUV1H103ZFM	S.M. CAP	50V	10nF
C2029	ECEA1CU470	ELECT	16V	47µF
C2030	ECUV1H103ZFM	S.M. CAP	50V	10nF
C2033	ECEA1CU220	ELECT	16V	22µF
C2038	ECUV1H103ZFM	S.M. CAP	50V	10nF
C2039	ECUV1H103ZFM	S.M. CAP	50V	10nF
C2040	ECEA1CU100	ELECT	16V	10µF
C2041	ECQB1H102J	S.M. CAP	50V	100pF
C2042	ECQB1H272J	FILM	50V	2.7nF
C2043	ECUV1H151JM	S.M. CAP	50V	150pF
C2044	ECEA1CN100	ELECT	16V	10µF
C2045	ECUV1H561JM	S.M. CAP	50V	560pF
C2046	ECEA1CU100	ELECT	16V	10µF
C2047	ECQB1H102J	FILM	50V	1.0nF
C2048	ECQB1H272J	FILM	50V	2.7nF
C2049	ECCR1H151J	CERAMIC	50V	150pF
C2050	ECEA1CN100	ELECT	16V	10µF
C2051	ECUV1H561JM	S.M. CAP	50V	560pF
C2052	ECUV1H103ZFM	S.M. CAP	50V	10nF
C2053	ECUV1H103ZFM	S.M. CAP	50V	10nF
C2056	ECUV1H103ZFM	S.M. CAP	50V	10nF
C2057	ECUV1H100DCM	S.M. CAP	50V	10pF
C2058	ECUV1H103ZFM	S.M. CAP	50V	10nF
C2059	ECEA1CU100	ELECT	16V	10µF
C2060	ECQB1H104J	FILM	50V	100nF
C2061	ECEA1CU100	ELECT	16V	10µF
C2062	ECUV1H100DCM	S.M. CAP	50V	10pF
C2063	ECEA1CU470	ELECT	16V	47µF
C2064	ECEA1CU470	ELECT	16V	47µF
C2065	ECEA1CU470	ELECT	16V	47µF
C2067	ECEA1HU3R3	ELECT	50V	3.3µF
C2068	ECEA1HU3R3B	ELECT	50V	3.3µF
C2085	ECUV1H103ZFM	S.M. CAP	50V	10nF
C2094	ECUV1H180JM	S.M. CAP	50V	18pF
C2097	ECUV1H180JM	S.M. CAP	50V	18pF
C2112	ECUV1H103ZFM	S.M. CAP	50V	10nF
C2113	ECUV1H103ZFM	S.M. CAP	50V	10nF
C2114	ECUV1H103ZFM	S.M. CAP	50V	10nF
C2119	ECUV1H103ZFM	S.M. CAP	50V	10nF
C2120	ECUV1H103ZFM	S.M. CAP	50V	10nF
C2121	ECQB1H333J	FILM	50V	33nF
C2122	ECUV1H103ZFM	S.M. CAP	50V	10nF
C2123	ECUV1H103ZFM	S.M. CAP	50V	10nF
C2125	ECUV1H103ZFM	S.M. CAP	50V	10nF

Ref No.	Part No.	Description		
C2126	ECUV1H390JRM	S.M. CAP	50V	39pF
C2127	ECEA1HUR47	ELECT	50V	0.47µF
C2129	ECEA1CN100	ELECT	16V	10µF
C2131	ECEA1CU101	ELECT	16V	100µF
C2138	ECEA1HU4R7	ELECT	50V	4.7µF
C2141	ECQB1H223K	FILM	50V	22nF
C2142	ECEA1CU101	ELECT	16V	100µF
C2143	ECUV1H150JCM	S.M. CAP	50V	15pF
C2145	ECQB1H102J	FILM	50V	1.0nF
C2146	ECQB1H104J	FILM	50V	100nF
C2147	ECQB1H153K	FILM	50V	15nF
C2149	ECUV1H220JRM	S.M. CAP	50V	22pF
C2154	ECUV1H152KBM	S.M. CAP	50V	1.5nF
C2219	ECEA1CN100	ELECT	16V	10µF
C2242	ECEA1CN100	ELECT	16V	10µF
C2252	ECEA1CU470	ELECT	16V	47µF
C2254	ECEA1CU470	ELECT	16V	47µF
C2268	ECEA1CU330	ELECT	16V	33µF
C2269	ECEA1CU470	ELECT	16V	47µF
C2303	ECEA1CU101	ELECT	16V	100µF
C2304	ECEA1EN4R7	ELECT	25V	4.7µF
C2305	ECQM1H392J	FILM	50V	3.9nF
C2306	ECEA1CU470	ELECT	16V	47µF
C2307	ECEA1EN4R7	ELECT	25V	4.7µF
C2308	ECQM1H103J	FILM	50V	10nF
C2309	ECQM1H224J	FILM	50V	220nF
C2310	ECQM1H103J	FILM	50V	10nF
C2311	ECEA1CU471	ELECT	16V	470µF
C2321	ECQM1H392J	FILM	50V	3.9nF
C2322	ECEA1CN100	ELECT	16V	10µF
C2326	ECQV1H124JZ	FILM	50V	120nF
C2327	ECQM1H103J	FILM	50V	10nF
C2328	ECEA1CN100	ELECT	16V	10µF
C2329	ECEA1CN100	ELECT	16V	10µF
C2330	ECEA1CN100	ELECT	16V	10µF
C2331	ECEA1CU471	ELECT	16V	470µF
C2332	ECKC1H103JB	CERAMIC	50V	10nF
C2333	ECEA1CN100	ELECT	16V	10µF
C2334	ECEA1CN100	ELECT	16V	10µF
C2401	ECEA1EU4R7	ELECT	25V	4.7µF
C2402	ECEA1CN100	ELECT	16V	10µF
C2403	ECEA1CN100	ELECT	16V	10µF
C2404	ECEA1CN100	ELECT	16V	10µF
C2405	ECEA1CU220	ELECT	16V	22µF
C2410	ECEA1CN100	ELECT	16V	10µF
C2412	ECEA1CU101	ELECT	16V	100µF
C2413	ECEA1CU470	ELECT	16V	47µF
C2414	ECEA1CU470	ELECT	16V	47µF
C2417	ECEA1CN100	ELECT	16V	10µF
C2423	ECEA1CU101	ELECT	16V	100µF
C2424	ECKC1H103JB	CERAMIC	50V	10nF
C2425	ECEA1CU331	ELECT	16V	330µF
C2427	ECEA1CU220	ELECT	16V	22µF
C2428	ECEA1CN100	ELECT	16V	10µF
C2429	ECEA1CN100	ELECT	16V	10µF
C2430	ECEA1CN100	ELECT	16V	10µF
C2431	ECEA1CU101	ELECT	16V	100µF
C2433	ECEA1CN100	ELECT	16V	10µF
C2441	ECCR1H101J	CERAMIC	50V	100pF
C2442	ECCR1H101J	CERAMIC	50V	100pF
C2446	ECEA1EN4R7	ELECT	25V	4.7µF
C2447	ECEA1EN4R7	ELECT	25V	4.7µF
C2448	ECEA1EN4R7	ELECT	25V	4.7µF
C2449	ECEA1EN4R7	ELECT	25V	4.7µF
C2453	ECEA1CN100	ELECT	16V	10µF
C2456	ECEA1CN100	ELECT	16V	10µF
C2461	ECEA1HU2R2	ELECT	50V	2.2µF
C2462	ECQM1H104J	FILM	50V	100nF
C2463	ECEA1CU101	ELECT	16V	100µF
C2464	ECKC1H103JB	CERAMIC	50V	10nF
C2606	ECEA1CU471	ELECT	16V	470µF
C2610	ECEA1CU470	ELECT	16V	47µF
C2611	ECEA1CU470	ELECT	16V	47µF
C2613	ECEA1CU471	ELECT	16V	470µF
C2619	ECKC1H471J	CERAMIC	50V	470pF
C2628	ECEA1CU100	ELECT	16V	10µF
C2629	ECEA1CN220	ELECT	16V	22µF
C2874	ECEA1CU102	ELECT	16V	1000µF
C2875	ECUV1H103ZFM	S.M. CAP	50V	10nF
C2876	ECEA1HGE100	ELECT	50V	10µF

Ref No.	Part No.	Description			
C2877	ECEA1EU330	ELECT	25V	33μF	
C2878	ECEA1AGE102	ELECT	10V	1000μF	
C2879	ECQB1H104J	FILM	50V	100nF	
C2901	ECUV1H103ZFM	S.M. CAP	50V	10nF	
C2902	ECEA1CU100	ELECT	16V	10μF	
C2903	ECUV1H103ZFM	S.M. CAP	50V	10nF	
C3510	ECQM1H683J	FILM	50V	68nF	
C3521	ECQM1H104J	FILM	50V	100nF	
C3522	ECEA1HU2R2	ELECT	50V	2.2μF	
C3523	ECEA0JU101	ELECT	6.3V	100μF	
C3524	ECEA0JU102	ELECT	6.3V	1000μF	
C3525	ECCR1H220J	CERAMIC	50V	22pF	
C3526	ECCR1H220J	CERAMIC	50V	22pF	
C3527	ECCR1H220J	CERAMIC	50V	22pF	
C3528	ECQM1H104J	FILM	50V	100nF	
C3529	ECEA1HN010	ELECT	50V	1μF	
C3530	ECEA0JU101	ELECT	6.3V	100μF	
C3531	ECKC1H103JB	CERAMIC	50V	10nF	
C3532	ECKC1H103JB	CERAMIC	50V	10nF	
C3534	ECQM1H104J	FILM	50V	100nF	
C3536	ECKC1H103JB	CERAMIC	50V	10nF	
C3544	ECCR1H150J	CERAMIC	50V	15pF	
C3545	ECCR1H270J	CERAMIC	50V	27pF	
C3546	ECKC1H103JB	CERAMIC	50V	10nF	
C3552	ECKC1H103JB	CERAMIC	50V	10nF	
C3553	ECEA1CU221	ELECT	16V	220μF	
C3554	ECCR1H100J	CERAMIC	50V	10pF	
C3555	ECEA1CN330	ELECT	16V	33μF	
C3556	ECCR1H470J	CERAMIC	50V	47pF	
C3558	ECRBB160N11	TRIMMER		160pF	
C3559	ECCR1H560J	CERAMIC	50V	56pF	
C3561	ECEA1HU010	ELECT	50V	1μF	
C3570	ECEA0JU471	ELECT	6.3V	470μF	
C3575	ECEA1CU101	ELECT	16V	100μF	
DIODES					
D10	MA165TA5	DIODE			
D171	MA4082	DIODE			
D174	MA165TA5	DIODE			
D177	MA150TA	DIODE			
D179	MA4047	DIODE			
D181	MA4082	DIODE			
D182	MA4082	DIODE			
D201	MA165TA5	DIODE			
D202	MA165TA5	DIODE			
D203	MA165TA5	DIODE			
D204	MA165TA5	DIODE			
D205	MA165TA5	DIODE			
D206	MA165TA5	DIODE			
D221	MA700TA5	DIODE			
D305	MA4130	DIODE			
D306	MA4130	DIODE			
D307	MA4130	DIODE			
D313	MA27TA5	DIODE			
D314	MA4033	DIODE			
D319	MA165TA5	DIODE			
D320	MA165TA5	DIODE			
D321	MA165TA5	DIODE			
D328	MA4056	DIODE			
D330	MA858TA5	DIODE			
D371	MA4056	DIODE			
D372	MA4056	DIODE			
D373	MA4056	DIODE			
D403	MA27TA5	DIODE			
D451	ERA15-02V3	DIODE			
D452	MA165TA5	DIODE			
D453	MA165TA5	DIODE			
D501	ERA15-02V3	DIODE			
D505	MA165TA5	DIODE			
D508	MA4051	DIODE			
D510	MA165TA5	DIODE			
D511	MA4047	DIODE			

Ref No.	Part No.	Description			
D541	MA4360	DIODE			
D551	BYD31D-26MM	DIODE			
D552	MA167TA5	DIODE			
D554	BYD31D-26MM	DIODE			
D603	MA4056	DIODE			
D604	MA858TA5	DIODE			
D648	MA858TA5	DIODE			
D755	MA4200	DIODE			
D757	MA165TA5	DIODE			
D758	MA165TA5	DIODE			
D801	RBV4-08	DIODE			
D807	ERA22-04V3	DIODE			
D809	BYD31D-26MM	DIODE			
D810	ERA22-08V3	DIODE			
D811	TLP621GR-LF2	PHOTO COUPLER Δ			
D812	MA150TA	DIODE			
D852	EU02	DIODE			
D853	BYW95APFK8	DIODE			
D855	ERD32-02L7	DIODE			
D1101	PN323B-LFHT	DIODE			
D1207	MA165TA5	DIODE			
D1208	MA165TA5	DIODE			
D1208	TVSS1WBS10	DIODE			
D1220	MA165TA5	DIODE			
D1221	MA4082	DIODE			
D1225	MA4082	DIODE			
D1228	MA4082	DIODE			
D1229	MA4082	DIODE			
D1231	MA4082	DIODE			
D1235	MA4082	DIODE			
D1236	MA4082	DIODE			
D1244	MA165TA5	DIODE			
D1251	LN81RPHL	DIODE			
D1253	LN526GA-17H	L. E. D.			
D1255	LN063183P4	L. E. D.			
D1267	MA4082	DIODE			
D1268	MA4082	DIODE			
D1310	MA4091	DIODE			
D1311	MA165TA5	DIODE			
D1312	MA165TA5	DIODE			
D1313	MA4091	DIODE			
D1315	MA700TA5	DIODE			
D2008	MA151ATX	DIODE			
D2207	MA57TX	DIODE			
D2401	MA165TA5	DIODE			
D2402	MA165TA5	DIODE			
D2403	MA165TA5	DIODE			
D2405	MA165TA5	DIODE			
D2406	MA165TA5	DIODE			
D2409	MA165TA5	DIODE			
D2413	MA165TA5	DIODE			
D2414	MA165TA5	DIODE			
D2415	MA165TA5	DIODE			
D2416	MA165TA5	DIODE			
D2417	MA165TA5	DIODE			
D2418	MA165TA5	DIODE			
D2419	MA165TA5	DIODE			
D2420	MA700TA5	DIODE			
D2421	MA700TA5	DIODE			
D2422	MA700TA5	DIODE			
D2423	MA700TA5	DIODE			
D2424	MA165TA5	DIODE			
D2425	MA165TA5	DIODE			
D2426	MA150TA	DIODE			
D2603	MA165TA5	DIODE			
D2605	MA165TA5	DIODE			
D2615	MA700TA5	DIODE			
D2628	MA858TA5	DIODE			
D2629	MA165TA5	DIODE			
D2903	MA57TX	DIODE			
D3011	MA4120	DIODE			
D3012	MA4120	DIODE			
D3502	MA165TA5	DIODE			
D3508	MA165TA5	DIODE			
D3509	MA165TA5	DIODE			
D3510	MA165TA5	DIODE			
D3526	MA165TA5	DIODE			
D3527	MA4082	DIODE			
D3532	MA150TA	DIODE			
D3533	MA165TA5	DIODE			
D3534	MA165TA5	DIODE			

Ref No.	Part No.	Description
INTEGRATED CIRCUITS		
IC70	UPC574J	REGULATOR
IC101	M52301SP	SIF/VIF
IC102	L78M09MRB	9V REGULATOR
IC171	SAB3035	CITAC I. C.
IC201	AN5836	AUDIO CONTROL I. C.
IC501	TDA2579A	SYNC CIRCUIT
IC601	TDA4510	DECODER
IC602	TDA3505	VIDEO CONTROL
IC1101	UPC1474HA	I. R. RECEIVER I. C.
IC1202	PCD85C82P	MEMORY
IC1203	PCF84C81P122	MICROPROCESSOR
IC1204	L78M05MRB	5V REGULATOR
IC1205	SAA1064	DISPLAY DRIVER I. C.
IC1610	SBX1610-46	REMOTE RECEIVER
IC2001	TB1204N	NICAM DECODER
IC2002	TA2009P	D - A CONVERTER
IC2003	MN1280R	RESET
IC2004	AN6558	AMPLIFIER
IC2101	AN5215	SOUND I. F.
IC2302	TDA3810	AMBIENCE CONTROL
IC2325	LA7222-TV	SWITCHING
IC2401	M52470AP	SWITCHING
IC2402	L78M12MRB	12V REGULATOR
IC2801	L78M05MRB	5V REGULATOR
IC2802	L78M12MRB	12V REGULATOR
IC2901	PCF8574	LED DRIVER
IC2902	TC4066BP	SWITCHING
IC3502	SAA5246PEM4A	TEXT DECODER
IC3505	L78M05MRB	5V REGULATOR
IC3506	FCB61C65-70P	S RAM MEMORY
IC3507	MAB8461PW221	MICROPROCESSOR
COILS		
L12	ELESN8R2KA	COIL
L18	ELESN8R2KA	COIL
L101	ELESN120KA	COIL
L103	TLT222K991R	COIL
L104	ELESN180KA	COIL
L105	TLI159X52	COIL
L106	TLI157X53	COIL
L107	ELESN2R2KA	COIL
L110	TLI157X57	COIL
L120	ELESN220KA	COIL
L171	ELESN8R2KA	COIL
L175	EXCELD35V	COIL
L290	ELC15B005	COIL
L291	ELC15B005	COIL
L303	ELESN100KA	COIL
L351	ELESN181KA	COIL
L352	ELESN181KA	COIL
L353	ELESN181KA	COIL
L354	ELESN4R7KA	COIL
L355	EXCELD35V	COIL
L356	EXCELD35V	COIL
L357	EXCELD35V	COIL
L451	ELESN8R2KA	COIL
L552	ELC08D055	COIL
L553	ELH5L403	COIL
L554	ELC12B004	COIL
L555	TSC937	CHOKER
L602	ELESN8R2KA	COIL
L603	TLK158066	COIL
L681	ELESN220KA	COIL
L682	ELESN390KA	COIL
L752	ELC10D006	COIL
L801	ELF18D650L	COIL
L802	TLP15574E	TRANSFORMER
L803	EXCELSA35T	COIL
L804	EXCELSA35T	COIL
L806	EXCELSA35T	COIL
L807	TLQ056K236B	COIL
L808	ELESN101KA	COIL
L812	TLP15574E	TRANSFORMER
L852	EXCELD35V	COIL

Ref No.	Part No.	Description
L853	TLT030L119C	COIL
L855	TSC925-4	CHOKER
L857	EXCELSA35T	COIL
L1101	TLT542K991K	COIL
L1102	EIR7QG001B	COIL
L1131	ELESN100KA	COIL
L1201	TLQ082K236T	COIL
L1202	TLQ082K236T	COIL
L2001	EXCELD35V	COIL
L2002	EXCELD35V	COIL
L2003	EXCELD35V	COIL
L2004	EXCELD35V	COIL
L2006	EXCEMT103DTM	COIL
L2012	EXCEMT103DTM	COIL
L2105	TLI159X52	COIL
L2109	ELC08D055	COIL
L2112	TLI153X60Q	COIL
L2115	ELESN3R9KA	COIL
L2301	ELESN100KA	COIL
L2901	ELESN821KA	COIL
L3501	ELESN3R3KA	COIL
L3503	ELESN4R7KA	COIL
LC102	ELB5A074	COIL
LC601	ELB4K102	COIL
LC2401	ERD25TJ100	CARBON 0.25W 5% 10Ω
TRANSISTORS		
Q101	2SC3354TA	TRANSISTOR
Q104	2SC2636-†	TRANSISTOR
Q105	BF370	TRANSISTOR
Q180	DTC114ESTQ	TRANSFORMER
Q201	2SA564-S	TRANSISTOR
Q202	DTC114ESTQ	TRANSFORMER
Q304	2SC3311ATA	TRANSISTOR
Q351	2SC2923-RL	TRANSISTOR
Q352	2SC2923-RL	TRANSISTOR
Q353	2SC2923-RL	TRANSISTOR
Q365	2SC1685-TA	TRANSISTOR
Q366	2SC1685-TA	TRANSISTOR
Q367	2SC1685-TA	TRANSISTOR
Q401	2SC3311ATA	TRANSISTOR
Q502	2SC3311ATA	TRANSISTOR
Q503	2SC3311ATA	TRANSISTOR
Q504	DTC144ESTQ	TRANSISTOR
Q541	2SA1309ATA	TRANSISTOR
Q542	2SC3311ATA	TRANSISTOR
Q601	2SC3311ATA	TRANSISTOR
Q648	2SC3311ATA	TRANSISTOR
Q672	2SA719-TA	TRANSISTOR
Q673	2SD965-R	TRANSISTOR
Q674	2SA1309ATA	TRANSISTOR
Q675	2SC3311ATA	TRANSISTOR
Q676	2SC3311ATA	TRANSISTOR
Q751	2SC3311ATA	TRANSISTOR
Q752	2SA1309ATA	TRANSISTOR
Q801	2SD965-R	TRANSISTOR
Q802	2SD965-R	TRANSISTOR
Q1131	2SC3311ATA	TRANSISTOR
Q1132	UN4213TA	TRANSISTOR
Q1205	2SC1685-TA	TRANSISTOR
Q1207	DTC144ESTQ	TRANSISTOR
Q1208	UN4215TA	TRANSISTOR
Q1212	UN4215TA	TRANSISTOR
Q1213	2SC1685-TA	TRANSISTOR
Q1230	UN4215TA	TRANSISTOR
Q1232	2SA564-S	TRANSISTOR
Q1236	UN411FTA	TRANSISTOR
Q1310	2SA564-S	TRANSISTOR
Q1311	2SC1685-TA	TRANSISTOR
Q1312	2SA564-S	TRANSISTOR
Q1313	2SC1685-TA	TRANSISTOR
Q2001	2SC2480-X	TRANSISTOR
Q2002	2SC2480-X	TRANSISTOR
Q2003	2SB709AQT X	TRANSISTOR
Q2004	2SD601A-X	TRANSISTOR
Q2005	2SD601A-X	TRANSISTOR
Q2007	2SD601A-X	TRANSISTOR
Q2008	2SD601A-X	TRANSISTOR
Q2011	2SB709AQT X	TRANSISTOR
Q2101	2SC2636-T	TRANSISTOR

Ref No.	Part No.	Description
Q2103	2SC1047-BCD	TRANSISTOR
Q2105	2SD601A-X	TRANSISTOR
Q2202	2SB709AQT X	TRANSISTOR
Q2203	2SD601A-X	TRANSISTOR
Q2204	2SD601A-X	TRANSISTOR
Q2254	2SD601A-X	TRANSISTOR
Q2257	2SD601A-X	TRANSISTOR
Q2326	2SC3311ATA	TRANSISTOR
Q2401	2SC3311ATA	TRANSISTOR
Q2402	2SC3311ATA	TRANSISTOR
Q2403	2SC3311ATA	TRANSISTOR
Q2404	UN4212TA	TRANSISTOR
Q2406	UN4212TA	TRANSISTOR
Q2408	UN4212TA	TRANSISTOR
Q2410	UN4212TA	TRANSISTOR
Q2411	UN4212TA	TRANSISTOR
Q2412	2SC3311ATA	TRANSISTOR
Q2413	2SC1318-S	TRANSISTOR
Q2414	2SC3311ATA	TRANSISTOR
Q2415	2SC3311ATA	TRANSISTOR
Q2416	2SC3311ATA	TRANSISTOR
Q2417	2SC3311ATA	TRANSISTOR
Q2418	UN4111TA	TRANSISTOR
Q2419	2SC3311ATA	TRANSISTOR
Q2420	2SA1309ATA	TRANSISTOR
Q2421	2SC3311ATA	TRANSISTOR
Q2422	2SC3311ATA	TRANSISTOR
Q2456	2SC3311ATA	TRANSISTOR
Q2601	2SC1685-TA	TRANSISTOR
Q2602	2SC1685-TA	TRANSISTOR
Q2605	2SC1318-S	TRANSISTOR
Q2608	DTC144ESTQ	TRANSISTOR
Q2901	UN2111-X	DIODE
Q2902	UN2111-X	DIODE
Q2903	UN2111-X	DIODE
Q2904	UN2111-X	DIODE
Q2905	2SD601A-X	TRANSISTOR
Q3513	2SC3311ATA	TRANSISTOR
Q3514	2SA1309ATA	TRANSISTOR
Q3515	2SC3311ATA	TRANSISTOR
Q3522	2SA1309ATA	TRANSISTOR
RESISTORS		
R10	ERD25TJ104	CARBON 0.25W 5% 100KΩ
R16	ERJ6GMY0R00	S. M. LINK
R13	ERD25TJ470	CARBON 0.25W 5% 47Ω
R70	ERG1ANJ273	METAL 1W 5% 27KΩ
R71	ERD25TJ221	CARBON 0.25W 5% 220Ω
R101	ERJ6GMYJ221	S. M. CARB 0.1W 5% 220Ω
R102	ERJ6GMYJ681	S. M. CARB 0.1W 5% 680Ω
R105	ERJ6GMYJ332	S. M. CARB 0.1W 5% 3K3Ω
R106	ERJ6GMYJ562	S. M. CARB 0.1W 5% 5K6Ω
R107	ERJ6GMYJ822	S. M. CARB 0.1W 5% 8K2Ω
R108	ERJ6GMYJ182	S. M. CARB 0.1W 5% 1K8Ω
R109	ERJ6GMYJ101	S. M. CARB 0.1W 5% 100Ω
R110	ERJ6GMYJ470	S. M. CARB 0.1W 5% 47Ω
R114	ERJ6GMYJ124	S. M. CARB 0.1W 5% 120KΩ
R115	ERJ6GMYJ184	S. M. CARB 0.1W 5% 180KΩ
R118	ERJ6GMYJ271	S. M. CARB 0.1W 5% 270Ω
R119	ERJ6GMYJ184	S. M. CARB 0.1W 5% 180KΩ
R120	ERJ6GMYJ331	S. M. CARB 0.1W 5% 330Ω
R125	ERJ6GMYJ392	S. M. CARB 0.1W 5% 3K9Ω
R126	ERJ6GMYJ392	S. M. CARB 0.1W 5% 3K9Ω
R127	ERJ6GMYJ472	S. M. CARB 0.1W 5% 4K7Ω
R128	EVNDCAA03B53	RF AGC 5KΩ
R129	ERJ6GMYJ562	S. M. CARB 0.1W 5% 5K6Ω
R130	ERJ6GMYJ331	S. M. CARB 0.1W 5% 330Ω
R131	ERJ6GMYJ470	S. M. CARB 0.1W 5% 47Ω
R132	ERJ6GMYJ101	S. M. CARB 0.1W 5% 100Ω
R136	ERJ6GMYJ392	S. M. CARB 0.1W 5% 3K9Ω
R137	ERJ6GMYJ392	S. M. CARB 0.1W 5% 3K9Ω
R138	ERJ6GMYJ331	S. M. CARB 0.1W 5% 330Ω
R140	ERJ6GMYJ102	S. M. CARB 0.1W 5% 1KΩ
R141	ERJ6GMYJ332	S. M. CARB 0.1W 5% 3K3Ω
R142	ERJ6GMYJ222	S. M. CARB 0.1W 5% 2K2Ω
R145	ERJ6GMYJ561	S. M. CARB 0.1W 5% 560Ω
R150	ERJ6GMYJ562	S. M. CARB 0.1W 5% 5K6Ω
R151	ERJ6GMYJ562	S. M. CARB 0.1W 5% 5K6Ω

Ref No.	Part No.	Description
R153	ERJ6GMYJ681	S. M. CARB 0.1W 5% 680Ω
R154	ERJ6GMYJ684	S. M. CARB 0.1W 5% 680KΩ
R171	ERD25TJ103	CARBON 0.25W 5% 10KΩ
R177	ERD25TJ101	CARBON 0.25W 5% 100Ω
R178	ERD25TJ222	CARBON 0.25W 5% 2K2Ω
R179	ERD25TJ102	CARBON 0.25W 5% 1KΩ
R180	ERD25TJ562	CARBON 0.25W 5% 5K6Ω
R181	ERD25TJ103	CARBON 0.25W 5% 10KΩ
R182	ERD25TJ123	CARBON 0.25W 5% 12KΩ
R184	ERD25TJ221	CARBON 0.25W 5% 220Ω
R185	ERD25TJ221	CARBON 0.25W 5% 220Ω
R187	ERD25TJ473	CARBON 0.25W 5% 47KΩ
R188	ERG1SJ101	METAL 1W 5% 100Ω
R204	ERG2ANJ391	METAL 2W 5% 390Ω
R211	ERD25TJ222	CARBON 0.25W 5% 2K2Ω
R212	ERD25TJ123	CARBON 0.25W 5% 12KΩ
R213	ERD25TJ123	CARBON 0.25W 5% 12KΩ
R214	ERD25TJ102	CARBON 0.25W 5% 1KΩ
R215	ERD25TJ562	CARBON 0.25W 5% 5K6Ω
R216	ERD25TJ562	CARBON 0.25W 5% 5K6Ω
R218	ERD25TJ153	CARBON 0.25W 5% 15KΩ
R221	ERG14AJ560	METAL 0.25W 5% 56Ω Δ
R245	EVUF3AM20B14	PIX CONTROL 10KΩ
R250	ERD25TJ102	CARBON 0.25W 5% 1KΩ
R260	ERQ14AJ4R7	METAL 0.25W 5% 4R7Ω Δ
R262	ERD25TJ102	CARBON 0.25W 5% 1KΩ
R263	ERD25TJ102	CARBON 0.25W 5% 1KΩ
R264	ERD25TJ102	CARBON 0.25W 5% 1KΩ
R265	ERQ14AJ4R7	METAL 0.25W 5% 4R7Ω Δ
R269	ERD25TJ223	CARBON 0.25W 5% 22KΩ
R271	ERG2ANJ100	METAL 0.25W 5% 10Ω
R275	ERD25TJ223	CARBON 0.25W 5% 22KΩ
R276	ERD25TJ102	CARBON 0.25W 5% 1KΩ
R277	ERD25TJ102	CARBON 0.25W 5% 1KΩ
R278	ERG1ANJ561	METAL 1W 5% 560Ω
R279	ERG1ANJ561	METAL 1W 5% 560Ω
R282	ERD25TJ183	CARBON 0.25W 5% 18KΩ
R283	ERD25TJ183	CARBON 0.25W 5% 18KΩ
R284	ERD25TJ103	CARBON 0.25W 5% 10KΩ
R285	ERD25TJ103	CARBON 0.25W 5% 10KΩ
R286	ERD25TJ273	CARBON 0.25W 5% 27KΩ
R287	ERD25TJ273	CARBON 0.25W 5% 27KΩ
R288	ERF5ZK3R3	WOUND 5W 5% 3.3KΩ Δ
R289	ERD25TJ223	CARBON 0.25W 5% 22KΩ
R290	ERG2ANJ100	METAL 2W 5% 10Ω
R291	ERD25TJ223	CARBON 0.25W 5% 22KΩ
R292	ERD25TJ223	CARBON 0.25W 5% 22KΩ
R293	ERD25TJ223	CARBON 0.25W 5% 22KΩ
R296	ERD25TJ102	CARBON 0.25W 5% 1KΩ
R297	ERD25TJ102	CARBON 0.25W 5% 1KΩ
R301	ERD25TJ152	CARBON 0.25W 5% 1K5Ω
R307	ERD25TJ821	CARBON 0.25W 5% 820Ω
R309	ERD25TJ103	CARBON 0.25W 5% 10KΩ
R315	ERD25TJ103	CARBON 0.25W 5% 10KΩ
R316	ERD25TJ222	CARBON 0.25W 5% 2K2Ω
R317	EVND4AA00B54	SUB CONTRAST 50KΩ
R319	ERD25TJ563	CARBON 0.25W 5% 56KΩ
R321	EVND4AA00B14	SUB BRIGHTNESS 10KΩ
R322	ERD25TJ563	CARBON 0.25W 5% 56KΩ
R324	ERD25TJ223	CARBON 0.25W 5% 22KΩ
R328	ERD25TJ332	CARBON 0.25W 5% 3K3Ω
R330	ERD25TJ103	CARBON 0.25W 5% 10KΩ
R335	ERDS1TJ471	CARBON 0.5W 5% 470Ω
R336	ERD25TJ473	CARBON 0.25W 5% 47KΩ
R337	ERD25TJ683	CARBON 0.25W 5% 68KΩ
R338	ERD25TJ102	CARBON 0.25W 5% 1KΩ
R342	ERD25TJ101	CARBON 0.25W 5% 100Ω
R343	ERD25TJ152	CARBON 0.25W 5% 1K5Ω
R344	ERD25TJ104	CARBON 0.25W 5% 100KΩ
R345	ERD25CKF3001	METAL 0.25W 1% 3KΩ Δ
R346	ERD25CKF3001	METAL 0.25W 1% 3KΩ Δ
R349	ERD25TJ683	CARBON 0.25W 5% 68KΩ
R351	ERG2ANJ103	METAL 2W 5% 10KΩ
R352	ERG2ANJ103	METAL 2W 5% 10KΩ
R353	ERG2ANJ103	METAL 2W 5% 10KΩ
R354	ERD25TJ121	CARBON 0.25W 5% 120Ω
R355	ERD25TJ221	CARBON 0.25W 5% 220Ω
R356	ERD25TJ121	CARBON 0.25W 5% 120Ω
R357	EVN65UA00B22	GREEN DRIVE 200Ω

Ref No.	Part No.	Description		
R358	EVN65UA00B22	RED DRIVE	200Ω	
R359	ERD25TJ471	CARBON 0.25W 5%	470Ω	
R360	ERD25TJ471	CARBON 0.25W 5%	470Ω	
R361	ERD25TJ471	CARBON 0.25W 5%	470Ω	
R362	EVN65UA00B53	GREEN CUT OFF	5KΩ	
R363	EVN65UA00B53	BLUE CUT OFF	5KΩ	
R364	EVN65UA00B53	RED CUT OFF	5KΩ	
R365	ERDS1FJ152	CARBON 0.5W 5%	1K5Ω	Δ
R366	ERDS1TJ152	CARBON 0.5W 5%	1K5Ω	
R367	ERDS1TJ152	CARBON 0.5W 5%	1K5Ω	
R371	ERD25TJ471	CARBON 0.25W 5%	470Ω	
R372	ERD25TJ471	CARBON 0.25W 5%	470Ω	
R373	ERD25TJ471	CARBON 0.25W 5%	470Ω	
R374	ERD25TJ274	CARBON 0.25W 5%	270KΩ	
R375	ERD25TJ393	CARBON 0.25W 5%	39KΩ	
R376	ERD25TJ684	CARBON 0.25W 5%	680KΩ	
R390	ERDS1TJ124	CARBON 0.5W 5%	120KΩ	
R391	ERD25TJ103	CARBON 0.25W 5%	10KΩ	
R392	ERD25TJ561	CARBON 0.25W 5%	560Ω	
R393	ERD25TJ561	CARBON 0.25W 5%	560Ω	
R394	ERD25TJ561	CARBON 0.25W 5%	560Ω	
R402	ERD25TJ102	CARBON 0.25W 5%	1KΩ	
R403	ERD25TJ184	CARBON 0.25W 5%	180KΩ	
R404	ERD25TJ274	CARBON 0.25W 5%	270KΩ	
R405	EVND4AA00B25	VERTICAL HEIGHT	2KΩ	
R406	ERD25TJ564	CARBON 0.25W 5%	560KΩ	
R407	ERD25TJ222	CARBON 0.25W 5%	2K2Ω	
R408	ERD25TJ102	CARBON 0.25W 5%	1KΩ	
R409	ERD25TJ393	CARBON 0.25W 5%	39KΩ	
R410	ERD25TJ822	CARBON 0.25W 5%	8K2Ω	
R423	ERD25TJ684	CARBON 0.25W 5%	680KΩ	
R452	ERD25TJ392	CARBON 0.25W 5%	3K9Ω	
R453	ERD25TJ332	CARBON 0.25W 5%	3K3Ω	
R454	ERD25TJ392	CARBON 0.25W 5%	3K9Ω	
R458	ERD25TJ822	CARBON 0.25W 5%	8K2Ω	
R459	ERD25TJ363	CARBON 0.25W 5%	36KΩ	
R461	ERD25TJ1R0	CARBON 0.25W 5%	1Ω	
R462	ERDS1TJ1R8	CARBON 0.5W 5%	1R8Ω	
R463	ERD25TJ223	CARBON 0.25W 5%	22KΩ	
R464	ERD25TJ561	CARBON 0.25W 5%	560Ω	
R465	ERDS1TJ102	CARBON 0.5W 5%	1KΩ	
R467	ERD25TJ153	CARBON 0.25W 5%	15KΩ	
R469	ERD25TJ471	CARBON 0.25W 5%	470Ω	
R470	ERG2SJU391	METAL 2W 5%	390Ω	
R474	ERDS1TJ471	CARBON 0.5W 5%	470Ω	
R475	ERDS1TJ152	CARBON 0.5W 5%	1K5Ω	
R476	ERD25TJ473	CARBON 0.25W 5%	47KΩ	
R477	ERD25TJ562	CARBON 0.25W 5%	5K6Ω	
R478	ERD25TJ1R5	CARBON 0.25W 5%	1R5Ω	
R479	ERD25TJ1R0	CARBON 0.25W 5%	1Ω	
R484	TSF19801	FS LINK		Δ
R502	EVND4AA00B14	HORIZONTAL FREQ	10KΩ	
R503	ERO25CKF3002	METAL 0.25W 1%	30KΩ	Δ
R505	ERD25TJ563	CARBON 0.25W 5%	56KΩ	
R506	ERD25TJ682	CARBON 0.25W 5%	6K8Ω	
R507	EVND4AA00B54	HORIZONTAL CENT	50KΩ	
R508	ERD25TJ683	CARBON 0.25W 5%	68KΩ	
R511	ERD25TJ562	CARBON 0.25W 5%	5K6Ω	
R512	ERD25TJ820	CARBON 0.25W 5%	82Ω	
R513	ERD25TJ102	CARBON 0.25W 5%	1KΩ	
R514	ERD25TJ562	CARBON 0.25W 5%	5K6Ω	
R515	ERD25TJ471	CARBON 0.25W 5%	470Ω	
R518	ERD25TJ391	CARBON 0.25W 5%	390Ω	
R519	ERD25TJ562	CARBON 0.25W 5%	5K6Ω	
R520	ERD25TJ153	CARBON 0.25W 5%	15KΩ	
R521	ERD25TJ102	CARBON 0.25W 5%	1KΩ	
R522	ERD25TJ473	CARBON 0.25W 5%	47KΩ	
R523	ERD25TJ681	CARBON 0.25W 5%	680Ω	
R527	ERO25CKF8201	METAL 0.25W 1%	8K2Ω	Δ
R528	ERO25CKF3901	METAL 0.25W 1%	3K9Ω	Δ
R531	ERD25TJ222	CARBON 0.25W 5%	2K2Ω	
R532	ERD25TJ562	CARBON 0.25W 5%	5K6Ω	
R533	ERG2ANJ391	METAL 2W 5%	390Ω	
R534	ERD25TJ333	CARBON 0.25W 5%	33KΩ	
R535	ERD25TJ392	CARBON 0.25W 5%	3K9Ω	
R536	ERD25TJ103	CARBON 0.25W 5%	10KΩ	
R537	ERD25TJ562	CARBON 0.25W 5%	5K6Ω	
R538	ERD25TJ472	CARBON 0.25W 5%	4K7Ω	
R542	ERD25TJ474	CARBON 0.25W 5%	470KΩ	

Ref No.	Part No.	Description		
R543	ERD25TJ103	CARBON 0.25W 5%	10KΩ	
R545	ERD25TJ103	CARBON 0.25W 5%	10KΩ	
R551	ERF72J100	WOUND 7W 5%	10Ω	Δ
R554	ERQ14AJ151	METAL 0.25W 5%	150Ω	Δ
R556	ERQ12HJ1R2	METAL 0.5W 5%	1R2Ω	Δ
R557	ERQ12HKR33	FILM 0.5W 5%	0R33Ω	Δ
R561	ERD25TJ153	CARBON 0.25W 5%	15KΩ	
R562	ERD25TJ124	CARBON 0.25W 5%	120KΩ	
R565	ERQ1CJP102	METAL 1W 5%	1KΩ	Δ
R567	TSF19102	FS LINK		Δ
R568	ERD25TJ274	CARBON 0.25W 5%	270KΩ	
R570	ERD25TJ332	CARBON 0.25W 5%	3K3Ω	
R571	ERD25TJ472	CARBON 0.25W 5%	4K7Ω	
R572	ERD25TJ683	CARBON 0.25W 5%	68KΩ	
R604	ERD25TJ183	CARBON 0.25W 5%	18KΩ	
R606	EVND4AA00B14	SUB COLOUR	10KΩ	
R607	ERD25TJ103	CARBON 0.25W 5%	10KΩ	
R608	ERD25TJ271	CARBON 0.25W 5%	270Ω	
R609	EVND4AA00B52	DL ADJUST	500Ω	
R610	ERD25TJ391	CARBON 0.25W 5%	390Ω	
R611	ERD25TJ122	CARBON 0.25W 5%	1K2Ω	
R612	ERD25TJ512	CARBON 0.25W 5%	5K1Ω	
R616	ERD25TJ101	CARBON 0.25W 5%	100Ω	
R617	ERD25TJ101	CARBON 0.25W 5%	100Ω	
R618	ERD25TJ101	CARBON 0.25W 5%	100Ω	
R619	ERD25TJ562	CARBON 0.25W 5%	5K6Ω	
R620	ERD25TJ101	CARBON 0.25W 5%	100Ω	
R622	ERD25TJ471	CARBON 0.25W 5%	470Ω	
R623	ERD25TJ681	CARBON 0.25W 5%	680Ω	
R624	ERD25TJ152	CARBON 0.25W 5%	1K5Ω	
R625	ERD25TJ333	CARBON 0.25W 5%	3K3Ω	
R626	ERD25TJ822	CARBON 0.25W 5%	8K2Ω	
R633	ERD25TJ153	CARBON 0.25W 5%	15KΩ	
R634	ERD25TJ222	CARBON 0.25W 5%	2K2Ω	
R640	ERD25TJ105	CARBON 0.25W 5%	1MΩ	
R643	ERD25TJ221	CARBON 0.25W 5%	220Ω	
R648	ERD25TJ102	CARBON 0.25W 5%	1KΩ	
R649	ERD25TJ221	CARBON 0.25W 5%	220Ω	
R670	ERD25TJ392	CARBON 0.25W 5%	3K9Ω	
R671	ERD25TJ392	CARBON 0.25W 5%	3K9Ω	
R672	ERD25TJ562	CARBON 0.25W 5%	5K6Ω	
R673	ERD25TJ562	CARBON 0.25W 5%	5K6Ω	
R676	ERD25TJ274	CARBON 0.25W 5%	270KΩ	
R677	ERD25TJ393	CARBON 0.25W 5%	39KΩ	
R678	ERD25TJ222	CARBON 0.25W 5%	2K2Ω	
R679	ERD25TJ103	CARBON 0.25W 5%	10KΩ	
R680	ERD25TJ154	CARBON 0.25W 5%	150KΩ	
R681	ERD25TJ103	CARBON 0.25W 5%	10KΩ	
R682	ERD25TJ392	CARBON 0.25W 5%	3K9Ω	
R683	ERD25TJ223	CARBON 0.25W 5%	22KΩ	
R684	ERD25TJ682	CARBON 0.25W 5%	6K8Ω	
R685	ERD25TJ392	CARBON 0.25W 5%	3K9Ω	
R686	ERD25TJ101	CARBON 0.25W 5%	100Ω	
R687	ERD25TJ222	CARBON 0.25W 5%	2K2Ω	
R688	ERD25TJ821	CARBON 0.25W 5%	820Ω	
R689	ERD25TJ331	CARBON 0.25W 5%	330Ω	
R690	ERD25TJ821	CARBON 0.25W 5%	820Ω	
R691	ERD25TJ153	CARBON 0.25W 5%	15KΩ	
R692	ERD25TJ392	CARBON 0.25W 5%	3K9Ω	
R693	ERD25TJ222	CARBON 0.25W 5%	2K2Ω	
R696	ERD25TJ333	CARBON 0.25W 5%	33KΩ	
R697	ERD25TJ223	CARBON 0.25W 5%	22KΩ	
R698	ERD25TJ102	CARBON 0.25W 5%	1KΩ	
R699	ERD25TJ471	CARBON 0.25W 5%	470Ω	
R751	ERO25CKF1803	METAL 0.25W 1%	180KΩ	Δ
R752	ERO25CKF1502	METAL 0.25W 1%	15KΩ	Δ
R753	ERD25TJ303	CARBON 0.25W 5%	30KΩ	
R754	ERD25TJ224	CARBON 0.25W 5%	220KΩ	
R756	ERD25TJ103	CARBON 0.25W 5%	10KΩ	
R757	ERD25TJ102	CARBON 0.25W 5%	1KΩ	
R758	EVND4AA00B24	PARABOLA	20KΩ	
R759	EVND4AA00B53	WIDTH	5KΩ	
R760	ERD25TJ222	CARBON 0.25W 5%	2K2Ω	
R761	ERD25TJ183	CARBON 0.25W 5%	18KΩ	
R762	ERD25TJ683	CARBON 0.25W 5%	68KΩ	
R764	ERD25TJ274	CARBON 0.25W 5%	270KΩ	
R766	ERD25TJ272	CARBON 0.25W 5%	2K7Ω	
R767	ERG1ANJ471	METAL 1W 5%	470Ω	
R768	ERD25TJ182	CARBON 0.25W 5%	1K8Ω	

Ref No.	Part No.	Description				
R769	ERD25TJ472	CARBON	0.25W	5%	4K7Ω	
R770	ERQ12HJ220	METAL	0.5W	5%	22Ω	Δ
R771	ERD25TJ684	CARBON	0.25W	5%	680KΩ	
R774	ERD25TJ104	CARBON	0.25W	5%	100KΩ	
R802	ERF7ZK4R7	WOUND	7W	10%	4R7Ω	Δ
R803	ERDS1TJ334	CARBON	0.5W	5%	330KΩ	
R810	ERQ1CJP3R3	METAL	1W	5%	3R3Ω	Δ
R811	ERW12PKR27	WOUND	0.5W	10%	0R27Ω	Δ
R812	ERG2ANJ470	METAL	2W	5%	47Ω	
R813	ERG1ANJ683	METAL	1W	5%	68KΩ	
R814	ERC12GK825	SOLID	1W	5%	68KΩ	
R815	ERQ12HJ5R6	METAL	0.5W	5%	5R6Ω	Δ
R816	ERD25TJ222	CARBON	0.25W	5%	2K2Ω	
R817	ERDS1TJ473	CARBON	0.5W	5%	47KΩ	
R818	ERD25TJ124	CARBON	0.25W	5%	120KΩ	
R820	ERDS1TJ393	CARBON	0.5W	5%	39KΩ	
R821	ERDS1TJ393	CARBON	0.5W	5%	39KΩ	
R822	ERDS1TJ473	CARBON	0.5W	5%	47KΩ	
R827	ERD25TJ224	CARBON	0.25W	5%	220KΩ	
R851	ERQ12HJ1R2	METAL	0.5W	5%	1R2Ω	Δ
R852	ERQ2CKPR47	FILM	2W	10%	0R47Ω	Δ
R854	ERQ2CKPR33	FILM	2W	10%	0R33Ω	Δ
R855	ERG3SJU180	METAL	3W	5%	18Ω	
R.134	ERJ6GMY0R00	S. M. LINK				
R1101	ERD25TJ102	CARBON	0.25W	5%	1KΩ	
R1102	ERD25TJ330	CARBON	0.25W	5%	33Ω	
R1103	ERD25TJ103	CARBON	0.25W	5%	10KΩ	
R1104	ERD25TJ101	CARBON	0.25W	5%	100Ω	
R1105	ERD25TJ223	CARBON	0.25W	5%	22KΩ	
R1131	ERD25TJ472	CARBON	0.25W	5%	4K7Ω	
R1132	ERD25TJ103	CARBON	0.25W	5%	10KΩ	
R1135	ERD25TJ102	CARBON	0.25W	5%	1KΩ	
R1191	ERD25TJ271	CARBON	0.25W	5%	270Ω	
R1201	ERD25TJ103	CARBON	0.25W	5%	10KΩ	
R1202	ERD25TJ221	CARBON	0.25W	5%	220Ω	
R1203	ERD25TJ221	CARBON	0.25W	5%	220Ω	
R1204	ERD25TJ101	CARBON	0.25W	5%	100Ω	
R1205	ERD25TJ101	CARBON	0.25W	5%	100Ω	
R1207	ERD25TJ221	CARBON	0.25W	5%	220Ω	
R1209	ERD25TJ182	CARBON	0.25W	5%	1K8Ω	
R1210	ERD25TJ182	CARBON	0.25W	5%	1K8Ω	
R1212	ERDS1TJ221	CARBON	0.5W	5%	220Ω	
R1213	ERD25TJ102	CARBON	0.25W	5%	1KΩ	
R1214	ERD25TJ103	CARBON	0.25W	5%	10KΩ	
R1219	ERD25TJ182	CARBON	0.25W	5%	1K8Ω	
R1221	ERD25TJ471	CARBON	0.25W	5%	470Ω	
R1222	ERD25TJ471	CARBON	0.25W	5%	470Ω	
R1223	ERD25TJ471	CARBON	0.25W	5%	470Ω	
R1224	ERD25TJ471	CARBON	0.25W	5%	470Ω	
R1225	ERD25TJ471	CARBON	0.25W	5%	470Ω	
R1226	ERD25TJ471	CARBON	0.25W	5%	470Ω	
R1227	ERD25TJ471	CARBON	0.25W	5%	470Ω	
R1228	ERD25TJ103	CARBON	0.25W	5%	10KΩ	
R1229	ERD25TJ471	CARBON	0.25W	5%	470Ω	
R1230	ERD25TJ103	CARBON	0.25W	5%	10KΩ	
R1233	ERD25TJ105	CARBON	0.25W	5%	1MΩ	
R1234	ERD25TJ103	CARBON	0.25W	5%	10KΩ	
R1236	ERD25TJ472	CARBON	0.25W	5%	4K7Ω	
R1237	ERDS1TJ121	CARBON	0.5W	5%	120Ω	
R1238	ERD25TJ562	CARBON	0.25W	5%	5K6Ω	
R1239	ERD25TJ103	CARBON	0.25W	5%	10KΩ	
R1240	ERD25TJ221	CARBON	0.25W	5%	220Ω	
R1241	ERD25TJ221	CARBON	0.25W	5%	220Ω	
R1251	ERD25TJ331	CARBON	0.25W	5%	330Ω	
R1252	ERD25TJ331	CARBON	0.25W	5%	330Ω	
R1253	ERD25TJ331	CARBON	0.25W	5%	330Ω	
R1254	ERD25TJ331	CARBON	0.25W	5%	330Ω	
R1255	ERD25TJ331	CARBON	0.25W	5%	330Ω	
R1256	ERD25TJ331	CARBON	0.25W	5%	330Ω	
R1257	ERD25TJ331	CARBON	0.25W	5%	330Ω	
R1258	ERD25TJ331	CARBON	0.25W	5%	330Ω	
R1259	ERD25TJ331	CARBON	0.25W	5%	330Ω	
R1261	ERD25TJ331	CARBON	0.25W	5%	330Ω	
R1262	ERD25TJ331	CARBON	0.25W	5%	330Ω	
R1263	ERD25TJ331	CARBON	0.25W	5%	330Ω	
R1264	ERD25TJ331	CARBON	0.25W	5%	330Ω	
R1265	ERD25TJ331	CARBON	0.25W	5%	330Ω	
R1266	ERD25TJ331	CARBON	0.25W	5%	330Ω	
R1267	ERD25TJ222	CARBON	0.25W	5%	2K2Ω	
R1273	ERD25TJ221	CARBON	0.25W	5%	220Ω	
R1275	ERD25TJ101	CARBON	0.25W	5%	100Ω	
R1276	ERD25TJ221	CARBON	0.25W	5%	220Ω	
R1280	ERD25TJ392	CARBON	0.25W	5%	3K9Ω	
R1281	ERD25TJ103	CARBON	0.25W	5%	10KΩ	

Ref No.	Part No.	Description				
R1283	TSF19631	FS LINK				Δ
R1285	ERD25TJ473	CARBON	0.25W	5%	47KΩ	
R1286	ERD25TJ473	CARBON	0.25W	5%	47KΩ	
R1287	ERD25TJ472	CARBON	0.25W	5%	4K7Ω	
R1291	ERD25TJ182	CARBON	0.25W	5%	1K8Ω	
R1295	ERD25TJ331	CARBON	0.25W	5%	330Ω	
R1310	ERD25TJ102	CARBON	0.25W	5%	1KΩ	
R1311	ERD25TJ393	CARBON	0.25W	5%	39KΩ	
R1312	ERD25TJ103	CARBON	0.25W	5%	10KΩ	
R1313	ERD25TJ332	CARBON	0.25W	5%	3K3Ω	
R1314	ERD25TJ473	CARBON	0.25W	5%	47KΩ	
R1315	ERD25TJ103	CARBON	0.25W	5%	10KΩ	
R1316	ERD25TJ101	CARBON	0.25W	5%	100Ω	
R1317	ERD25TJ103	CARBON	0.25W	5%	10KΩ	
R1318	ERD25TJ103	CARBON	0.25W	5%	10KΩ	
R1319	ERD25TJ272	CARBON	0.25W	5%	2K7Ω	
R1320	ERD25TJ392	CARBON	0.25W	5%	3K9Ω	
R1322	ERD25TJ103	CARBON	0.25W	5%	10KΩ	
R2007	ERJ6GMYJ303	S. M. CARB	0.1W	5%	30KΩ	
R2008	ERJ6GMYJ472	S. M. CARB	0.1W	5%	4K7Ω	
R2009	ERJ6GMY0R00	S. M. LINK				
R2010	ERJ6GMYJ563	S. M. CARB	0.1W	5%	56KΩ	
R2011	ERJ6GMYJ623	S. M. CARB	0.1W	5%	62KΩ	
R2012	EVND4AA00B54	NICAM APC				50KΩ
R2015	ERJ6GMYJ472	S. M. CARB	0.1W	5%	4K7Ω	
R2016	ERJ6GMYJ303	RESISTOR				
R2017	ERJ6GMYJ102	S. M. CARB	0.1W	5%	1KΩ	
R2018	ERJ6GMYJ103	S. M. CARB	0.1W	5%	10KΩ	
R2019	ERJ6GMYJ104	S. M. CARB	0.1W	5%	100KΩ	
R2020	ERJ6GMYJ223v	S. M. CARB	0.1W	5%	22KΩ	
R2025	ERJ6GMYJ222V	S. M. CARB	0.1W	5%	2K2Ω	
R2026	ERJ6GMYJ102V	S. M. CARB	0.1W	5%	1KΩ	
R2027	ERJ6GMYJ562V	S. M. CARB	0.1W	5%	5K6Ω	
R2028	ERJ6GMYJ562V	S. M. CARB	0.1W	5%	5K6Ω	
R2029	ERJ6GMYJ222V	S. M. CARB	0.1W	5%	2K2Ω	
R2030	ERJ6GMYJ471V	S. M. CARB	0.1W	5%	470Ω	
R2031	ERJ6GMYJ105V	S. M. CARB	0.1W	5%	1MΩ	
R2032	ERJ6GMYJ473	S. M. CARB	0.1W	5%	47KΩ	
R2033	ERJ6GMYJ223V	S. M. CARB	0.1W	5%	22KΩ	
R2034	ERJ6GMYJ222	S. M. CARB	0.1W	5%	2K2Ω	
R2035	ERJ6GMYJ182	S. M. CARB	0.1W	5%	1K8Ω	
R2036	ERQ14AJ330	METAL	0.25W	5%	33Ω	Δ
R2037	ERJ6GMYJ223	S. M. CARB	0.1W	5%	22KΩ	
R2038	ERJ6GMYJ560	S. M. CARB	0.1W	5%	56Ω	
R2039	ERJ6GMYJ471	S. M. CARB	0.1W	5%	470Ω	
R2040	ERJ6GMYJ103	S. M. CARB	0.1W	5%	10KΩ	
R2041	ERJ6GMYJ222	S. M. CARB	0.1W	5%	2K2Ω	
R2042	ERJ6GMYJ473	S. M. CARB	0.1W	5%	47KΩ	
R2043	ERJ6GMYJ153	S. M. CARB	0.1W	5%	15KΩ	
R2044	ERJ6GMYJ392	S. M. CARB	0.1W	5%	3K9Ω	
R2047	ERJ6GMYJ152	S. M. CARB	0.1W	5%	1K5Ω	
R2048	ERJ6GMYJ393	S. M. CARB	0.1W	5%	39KΩ	
R2049	ERJ6GMYJ103	S. M. CARB	0.1W	5%	10KΩ	
R2050	ERJ6GMYJ103	S. M. CARB	0.1W	5%	10KΩ	
R2051	ERJ6GMYJ101	S. M. CARB	0.1W	5%	100Ω	
R2052	ERJ6GMYJ101	S. M. CARB	0.1W	5%	100Ω	
R2053	ERJ6GMYJ102	S. M. CARB	0.1W	5%	1KΩ	
R2055	ERJ6GMYJ223	S. M. CARB	0.1W	5%	22KΩ	
R2056	ERJ6GMYJ823	S. M. CARB	0.1W	5%	82KΩ	
R2057	ERJ6GMYJ223	S. M. CARB	0.1W	5%	22KΩ	
R2058	ERJ6GMYJ823	S. M. CARB	0.1W	5%	82KΩ	
R2059	ERJ6GMYJ563	S. M. CARB	0.1W	5%	56KΩ	
R2060	ERJ6GMYJ563	S. M. CARB	0.1W	5%	56KΩ	
R2061	ERJ6GMYJ103	S. M. CARB	0.1W	5%	10KΩ	
R2062	ERJ6GMYJ103	S. M. CARB	0.1W	5%	10KΩ	
R2063	ERJ6GMYJ103	S. M. CARB	0.1W	5%	10KΩ	
R2064	ERJ6GMYJ562	S. M. CARB	0.1W	5%	5K6Ω	
R2066	ERJ6GMYJ102	S. M. CARB	0.1W	5%	1KΩ	
R2069	ERJ6GMYJ563	S. M. CARB	0.1W	5%	56KΩ	
R2070	ERJ6GMYJ563	S. M. CARB	0.1W	5%	56KΩ	
R2071	ERJ6GMYJ103	S. M. CARB	0.1W	5%	10KΩ	
R2072	ERJ6GMYJ103	S. M. CARB	0.1W	5%	10KΩ	
R2073	ERJ6GMYJ103	S. M. CARB	0.1W	5%	10KΩ	
R2074	ERJ6GMYJ562	S. M. CARB	0.1W	5%	5K6Ω	
R2075	ERJ6GMYJ102	S. M. CARB	0.1W	5%	1KΩ	
R2080	ERJ6GMY0R00	S. M. LINK				
R2081	ERJ6GMY0R00	S. M. LINK				
R2083	ERJ6GMY0R00	S. M. LINK				
R2084	ERJ6GMY0R00	S. M. LINK				
R2089	ERJ6GMYJ562	S. M. CARB	0.1W	5%	5K6Ω	
R2090	ERJ6GMYJ272	S. M. CARB	0.1W	5%	2K7Ω	

Ref No.	Part No.	Description				
R2096	ERD25TJ121	CARBON	0.25W	5%	120Ω	
R2102	ERJ6GMYJ272	S. M. CARB	0.1W	5%	2K7Ω	
R2103	ERJ6GMYJ271	S. M. CARB	0.1W	5%	270Ω	
R2109	ERJ6GMYJ471	S. M. CARB	0.1W	5%	470Ω	
R2110	ERQ14AJ330	METAL	0.25W	5%	33Ω	Δ
R2112	ERJ6GMYJ472	S. M. CARB	0.1W	5%	4K7Ω	
R2114	ERJ6GMYJ331	S. M. CARB	0.1W	5%	330Ω	
R2115	ERJ6GMYJ392	S. M. CARB	0.1W	5%	3K9Ω	
R2116	ERJ6GMYJ680	S. M. CARB	0.1W	5%	68Ω	
R2120	ERD25FYJ201	CARBON	0.25W	5%	200Ω	Δ
R2126	ERJ6GMYJ182	S. M. CARB	0.1W	5%	1K8Ω	
R2127	ERJ6GMYJ273	S. M. CARB	0.1W	5%	27KΩ	
R2128	ERJ6GMYJ392	S. M. CARB	0.1W	5%	3K9Ω	
R2129	ERJ6GMYJ561	S. M. CARB	0.1W	5%	560Ω	
R2130	ERJ6GMYJ561	S. M. CARB	0.1W	5%	560Ω	
R2132	ERQ14AJ330	METAL	0.25W	5%	33Ω	Δ
R2133	ERJ6GMYJ271	S. M. CARB	0.1W	5%	270Ω	
R2138	ERJ6GEYK275	S. M. CARB	0.5W	10%	2M7Ω	
R2148	ERJ6GMYO0R00	S. M. LINK				
R2149	ERJ6GMYJ121	S. M. CARB	0.1W	5%	120Ω	
R2151	ERJ6GMYJ121	S. M. CARB	0.1W	5%	120Ω	
R2219	ERJ6GMYJ681	S. M. CARB	0.1W	5%	680Ω	
R2220	ERJ6GMYJ681	S. M. CARB	0.1W	5%	680Ω	
R2223	ERJ6GMYJ271	S. M. CARB	0.1W	5%	270Ω	
R2245	ERJ6GMYJ103	S. M. CARB	0.1W	5%	10KΩ	
R2246	ERJ6GMYJ562	S. M. CARB	0.1W	5%	5K6Ω	
R2247	ERJ6GMYJ272	S. M. CARB	0.1W	5%	2K7Ω	
R2248	ERJ6GMYJ102	S. M. CARB	0.1W	5%	1KΩ	
R2249	ERJ6GMYJ102	S. M. CARB	0.1W	5%	1KΩ	
R2250	ERJ6GMYJ104	S. M. CARB	0.1W	5%	100KΩ	
R2251	ERJ6GMYJ104	S. M. CARB	0.1W	5%	100KΩ	
R2268	ERJ6GMYJ103	S. M. CARB	0.1W	5%	10KΩ	
R2274	ERJ6GMYJ103V	S. M. CARB	0.1W	5%	1KΩ	
R2275	ERJ6GMYJ103	S. M. CARB	0.1W	5%	10KΩ	
R2276	ERJ6GMYJ473V	S. M. CARB	0.1W	5%	47KΩ	
R2277	ERJ6GMYJ103	S. M. CARB	0.1W	5%	10KΩ	
R2301	ERD25TJ103	CARBON	0.25W	5%	10KΩ	
R2305	ERD25TJ183	CARBON	0.25W	5%	18KΩ	
R2306	ERD25TJ103	CARBON	0.25W	5%	10KΩ	
R2307	ERD25TJ101	CARBON	0.25W	5%	100Ω	
R2308	ERD25TJ223	CARBON	0.25W	5%	22KΩ	
R2310	ERD25TJ123	CARBON	0.25W	5%	12KΩ	
R2312	ERD25TJ103	CARBON	0.25W	5%	10KΩ	
R2313	ERD25TJ153	CARBON	0.25W	5%	15KΩ	
R2314	ERD25TJ103	CARBON	0.25W	5%	10KΩ	
R2315	ERD25TJ123	CARBON	0.25W	5%	12KΩ	
R2316	ERD25TJ223	CARBON	0.25W	5%	22KΩ	
R2317	ERD25TJ223	CARBON	0.25W	5%	22KΩ	
R2318	ERD25TJ103	CARBON	0.25W	5%	10KΩ	
R2319	ERD25TJ153	CARBON	0.25W	5%	15KΩ	
R2320	ERD25TJ104	CARBON	0.25W	5%	100KΩ	
R2321	ERD25TJ101	CARBON	0.25W	5%	100Ω	
R2324	ERD25TJ101	CARBON	0.25W	5%	100Ω	
R2325	ERD25TJ102	CARBON	0.25W	5%	1KΩ	
R2326	ERD25TJ102	CARBON	0.25W	5%	1KΩ	
R2330	ERD25TJ750	CARBON	0.25W	5%	75Ω	
R2331	ERD25TJ102	CARBON	0.25W	5%	1KΩ	
R2339	ERD25TJ473	CARBON	0.25W	5%	47KΩ	
R2340	ERD25TJ103	CARBON	0.25W	5%	10KΩ	
R2341	ERD25TJ750	CARBON	0.25W	5%	75Ω	
R2342	ERD25TJ750	CARBON	0.25W	5%	75Ω	
R2343	ERD25TJ223	CARBON	0.25W	5%	22KΩ	
R2344	ERQ14AJ100	METAL	0.25W	5%	10Ω	Δ
R2354	ERD25TJ101	CARBON	0.25W	5%	100Ω	
R2403	ERD25TJ103	CARBON	0.25W	5%	10KΩ	
R2405	ERD25TJ103	CARBON	0.25W	5%	10KΩ	
R2407	ERD25TJ102	CARBON	0.25W	5%	1KΩ	
R2408	ERD25TJ750	CARBON	0.25W	5%	75Ω	
R2409	ERD25TJ750	CARBON	0.25W	5%	75Ω	
R2410	ERD25TJ750	CARBON	0.25W	5%	75Ω	
R2411	ERD25TJ750	CARBON	0.25W	5%	75Ω	
R2412	ERD25TJ393	CARBON	0.25W	5%	39KΩ	
R2413	ERD25TJ393	CARBON	0.25W	5%	39KΩ	
R2414	ERD25TJ393	CARBON	0.25W	5%	39KΩ	
R2415	ERD25TJ223	CARBON	0.25W	5%	22KΩ	
R2416	ERD25TJ223	CARBON	0.25W	5%	22KΩ	
R2417	ERD25TJ223	CARBON	0.25W	5%	22KΩ	
R2418	ERD25TJ102	CARBON	0.25W	5%	1KΩ	
R2419	ERD25TJ102	CARBON	0.25W	5%	1KΩ	
R2420	ERD25TJ102	CARBON	0.25W	5%	1KΩ	

Ref No.	Part No.	Description				
R2421	ERD25TJ471	CARBON	0.25W	5%	470Ω	
R2422	ERD25TJ103	CARBON	0.25W	5%	10KΩ	
R2423	ERD25TJ332	CARBON	0.25W	5%	3K3Ω	
R2424	ERD25TJ101	CARBON	0.25W	5%	100Ω	
R2427	ERD25TJ101	CARBON	0.25W	5%	100Ω	
R2428	ERD25TJ103	CARBON	0.25W	5%	10KΩ	
R2429	ERD25TJ102	CARBON	0.25W	5%	1KΩ	
R2430	ERD25TJ103	CARBON	0.25W	5%	10KΩ	
R2431	ERD25TJ103	CARBON	0.25W	5%	10KΩ	
R2447	ERD25TJ102	CARBON	0.25W	5%	1KΩ	
R2448	ERD25TJ102	CARBON	0.25W	5%	1KΩ	
R2449	ERD25TJ223	CARBON	0.25W	5%	22KΩ	
R2452	ERQ12HJ4R7	METAL	0.5W	5%	4R7Ω	Δ
R2453	ERD25TJ221	CARBON	0.25W	5%	220Ω	
R2454	ERD25TJ221	CARBON	0.25W	5%	220Ω	
R2456	ERD25TJ393	CARBON	0.25W	5%	39KΩ	
R2457	ERD25TJ102	CARBON	0.25W	5%	1KΩ	
R2458	ERD25TJ102	CARBON	0.25W	5%	1KΩ	
R2463	ERD25TJ471	CARBON	0.25W	5%	470Ω	
R2464	ERD25TJ471	CARBON	0.25W	5%	470Ω	
R2465	ERD25TJ470	CARBON	0.25W	5%	47Ω	
R2480	ERD25TJ471	CARBON	0.25W	5%	470Ω	
R2481	ERQ14AJ100	METAL	0.25W	5%	10Ω	Δ
R2482	ERD25TJ221	CARBON	0.25W	5%	220Ω	
R2483	ERD25TJ101	CARBON	0.25W	5%	100Ω	
R2484	ERD25TJ103	CARBON	0.25W	5%	10KΩ	
R2485	ERD25TJ103	CARBON	0.25W	5%	10KΩ	
R2486	ERD25TJ103	CARBON	0.25W	5%	10KΩ	
R2487	ERD25TJ221	CARBON	0.25W	5%	220Ω	
R2488	ERD25TJ104	CARBON	0.25W	5%	100KΩ	
R2489	ERD25TJ102	CARBON	0.25W	5%	1KΩ	
R2490	ERD25TJ221	CARBON	0.25W	5%	220Ω	
R2491	ERD25TJ102	CARBON	0.25W	5%	1KΩ	
R2492	ERD25TJ104	CARBON	0.25W	5%	100KΩ	
R2493	ERD25TJ104	CARBON	0.25W	5%	100KΩ	
R2494	ERD25TJ750	CARBON	0.25W	5%	75Ω	
R2495	ERD25TJ221	CARBON	0.25W	5%	220Ω	
R2496	ERD25TJ101	CARBON	0.25W	5%	100Ω	
R2497	ERD25TJ472	CARBON	0.25W	5%	4K7Ω	
R2498	ERD25TJ472	CARBON	0.25W	5%	4K7Ω	
R2602	ERD25TJ104	CARBON	0.25W	5%	100KΩ	
R2603	ERD25TJ104	CARBON	0.25W	5%	100KΩ	
R2604	ERD25TJ221	CARBON	0.25W	5%	220Ω	
R2605	ERD25TJ104	CARBON	0.25W	5%	100KΩ	
R2606	ERD25TJ221	CARBON	0.25W	5%	220Ω	
R2608	ERD25TJ681	CARBON	0.25W	5%	680Ω	
R2610	ERD25TJ681	CARBON	0.25W	5%	680Ω	
R2612	ERD25TJ681	CARBON	0.25W	5%	680Ω	
R2613	ERD25TJ103	CARBON	0.25W	5%	10KΩ	
R2614	ERD25TJ750	CARBON	0.25W	5%	75Ω	
R2615	ELESN220KA	COIL				
R2617	ELESN220KA	COIL				
R2621	ERD25TJ750	CARBON	0.25W	5%	75Ω	
R2627	ERD25TJ103	CARBON	0.25W	5%	10KΩ	
R2628	ERD25TJ103	CARBON	0.25W	5%	10KΩ	
R2629	ERD25TJ391	CARBON	0.25W	5%	390Ω	
R2631	ERD25TJ101	CARBON	0.25W	5%	100Ω	
R2632	ERD25TJ680	CARBON	0.25W	5%	68Ω	
R2633	ERD25TJ472	CARBON	0.25W	5%	4K7Ω	
R2634	ERQ12HJ8R2	METAL	0.5W	5%	8R2Ω	Δ
R2638	ERD25TJ222	CARBON	0.25W	5%	2K2Ω	
R2660	ERD25TJ102	CARBON	0.25W	5%	1KΩ	
R2662	ERD25TJ102	CARBON	0.25W	5%	1KΩ	
R2663	ERD25TJ223	CARBON	0.25W	5%	22KΩ	
R2664	ERD25TJ223	CARBON	0.25W	5%	22KΩ	
R2665	ERD25TJ182	CARBON	0.25W	5%	1K8Ω	
R2666	ERD25TJ684	CARBON	0.25W	5%	680KΩ	
R2667	ERD25TJ103	CARBON	0.25W	5%	10KΩ	
R2873	ERG2ANJ220	METAL	2W	5%	22Ω	
R2877	ERG2ANJ270	METAL	2W	5%	27Ω	
R2878	ERG1ANJ100	METAL	1W	5%	10Ω	
R2901	ERJ6GMYJ331	S. M. CARB	0.1W	5%	330Ω	
R2902	ERJ6GMYJ331	S. M. CARB	0.1W	5%	330Ω	
R2903	ERJ6GMYJ331	S. M. CARB	0.1W	5%	330Ω	
R2904	ERJ6GMYJ331	S. M. CARB	0.1W	5%	330Ω	
R2905	ERJ6GMYJ102	S. M. CARB	0.1W	5%	1KΩ	
R2906	ERJ6GMYJ102	S. M. CARB	0.1W	5%	1KΩ	
R2907	ERJ6GMYJ101	S. M. CARB	0.1W	5%	100Ω	
R2908	ERJ6GMYJ103	S. M. CARB	0.1W	5%	10KΩ	
R2909	ERJ6GMYJ103	S. M. CARB	0.1W	5%	10KΩ	

Ref No.	Part No.	Description				
R2912	ERJ6GMY0R00	S. M. LINK				
R2913	ERJ6GMY0R00	S. M. LINK				
R2915	ERJ6GMYJ101	S. M. CARB	0. 1W	5%	100Ω	
R2916	ERJ6GMYJ101	S. M. CARB	0. 1W	5%	100Ω	
R2917	ERJ6GMYJ681	S. M. CARB	0. 1W	5%	680Ω	
R2918	ERJ6GMYJ181	RESISTOR				
R2919	ERJ6GMYJ393	S. M. CARB	0. 1W	5%	39KΩ	
R2920	ERJ6GMYJ224	S. M. CARB	0. 1W	5%	220KΩ	
R2921	ERJ6GMYJ242	RESISTOR				
R2932	ERJ6GMYJ102	S. M. CARB	0. 1W	5%	1KΩ	
R3504	ERD25TJ822	CARBON	0. 25W	5%	8K2Ω	
R3526	ERQ14AJ4R7	METAL	0. 25W	5%	4R7Ω	Δ
R3527	ERQ14AJ100	METAL	0. 25W	5%	10Ω	Δ
R3528	ERD25TJ273	CARBON	0. 25W	5%	27KΩ	
R3529	EVNDCAA03B13	CONTROL			1KΩ	
R3530	ERD25TJ331	CARBON	0. 25W	5%	330Ω	
R3532	ERD25TJ182	CARBON	0. 25W	5%	1K8Ω	
R3533	ERD25TJ182	CARBON	0. 25W	5%	1K8Ω	
R3534	ERD25TJ182	CARBON	0. 25W	5%	1K8Ω	
R3535	ERD25TJ101	CARBON	0. 25W	5%	100Ω	
R3536	ERD25TJ221	CARBON	0. 25W	5%	220Ω	
R3541	ERD25TJ101	CARBON	0. 25W	5%	100Ω	
R3542	ERD25TJ101	CARBON	0. 25W	5%	100Ω	
R3549	ERD25TJ1R0	CARBON	0. 25W	5%	1Ω	
R3552	ERD25TJ101	CARBON	0. 25W	5%	100Ω	
R3553	ERD25TJ105	CARBON	0. 25W	5%	1MΩ	
R3556	ERD25TJ182	CARBON	0. 25W	5%	1K8Ω	
R3557	ERD25TJ182	CARBON	0. 25W	5%	1K8Ω	
R3558	ERD25TJ471	CARBON	0. 25W	5%	470Ω	
R3559	ERD25TJ102	CARBON	0. 25W	5%	1KΩ	
R3560	ERD25TJ561	CARBON	0. 25W	5%	560Ω	
R3561	ERD25TJ392	CARBON	0. 25W	5%	3K9Ω	
R3562	ERD25TJ122	CARBON	0. 25W	5%	1K2Ω	
R3563	ERD25TJ753	CARBON	0. 25W	5%	75KΩ	
R3567	ERD25TJ472	CARBON	0. 25W	5%	4K7Ω	
R3568	ERD25TJ822	CARBON	0. 25W	5%	8K2Ω	
R3582	ERD25TJ103	CARBON	0. 25W	5%	10KΩ	
R3584	ERD25TJ473	CARBON	0. 25W	5%	47KΩ	
R3585	ERD25TJ473	CARBON	0. 25W	5%	47KΩ	
R3586	ERD25TJ472	CARBON	0. 25W	5%	4K7Ω	
R3587	ERC12GK825	SOLID	0. 5W	10%	8M2Ω	

SWITCHES

S251	ESD2760	SWITCH				
S301	EVQR1AL13	SWITCH				
S801	ESB99267S	SWITCH				Δ
S1207	EVQQSC13K	SWITCH				
S1208	EVQQSC13K	SWITCH				
S1209	EVQQSC11G	SWITCH				
S1213	EVQQSC13K	SWITCH				
S1215	EVQQSC11G	SWITCH				
S1218	EVQQSC13K	SWITCH				
S1220	EVQQSC13K	SWITCH				
S1222	EVQQSC13K	SWITCH				
S1223	EVQQSC11G	SWITCH				
S1227	ESB64605	SWITCH				Δ
S1228	EVQQSC11G	SWITCH				
S1231	EVQQSC13K	SWITCH				
S1232	EVQQSC13K	SWITCH				
S1233	EVQQSC13K	SWITCH				
S1234	EVQQSC13K	SWITCH				
S1235	EVQQSC13K	SWITCH				
S1236	EVQQSC13K	SWITCH				

Ref No.	Part No.	Description	
TRANSFORMER			
T531	ETH19Y53AY	TRANSFORMER	
T551	TLF15542F	TRANSFORMER	Δ
T801	ETS49K424A	TRANSFORMER	
T1201	ETP35KE65E	TRANSFORMER	Δ
T2001	TLS158X54Q	COIL	
FILTERS			
X101	F1045A	FILTER	
X103	EFCS6R0MWS	FILTER	
X106	TAFCSB503F6	FILTER	
X171	TSS120M2	CRYSTAL	
X601	TSS2003-M	CRYSTAL	
X648	EFCA4434BF	FILTER	
X1201	TSS2077-M	CRYSTAL	
X2001	TSS2059-M	CRYSTAL	
X2002	TSS2130-N	CRYSTAL	
X2101	EFCH33MVK1N	FILTER	
X2102	EFCS6R0MS5	FILTER	
X3501	520-30003	CRYSTAL IVT	
X3503	TSS970D	CRYSTAL	

TX-28G1

TX-25G1

1100