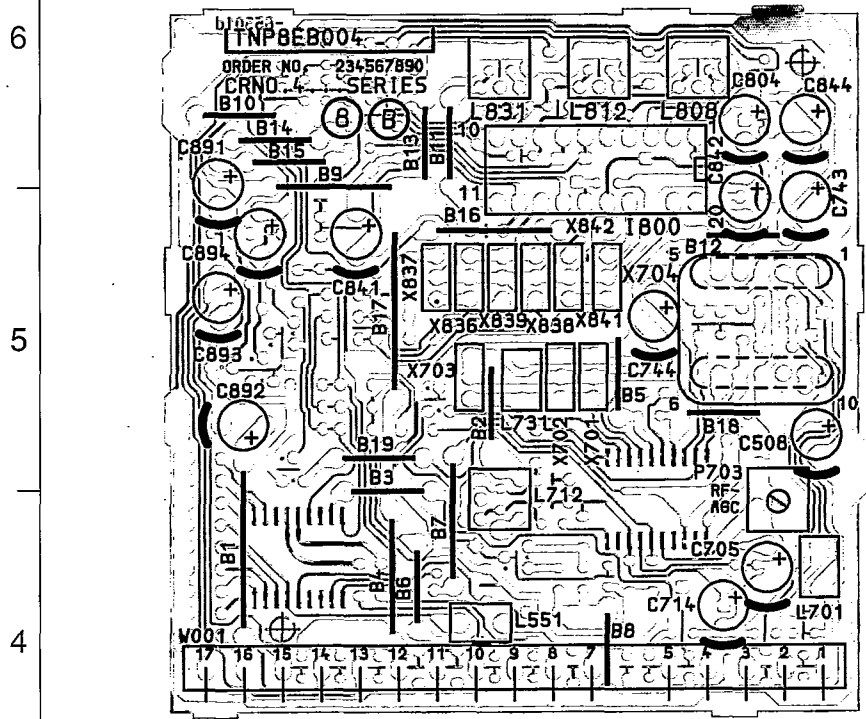


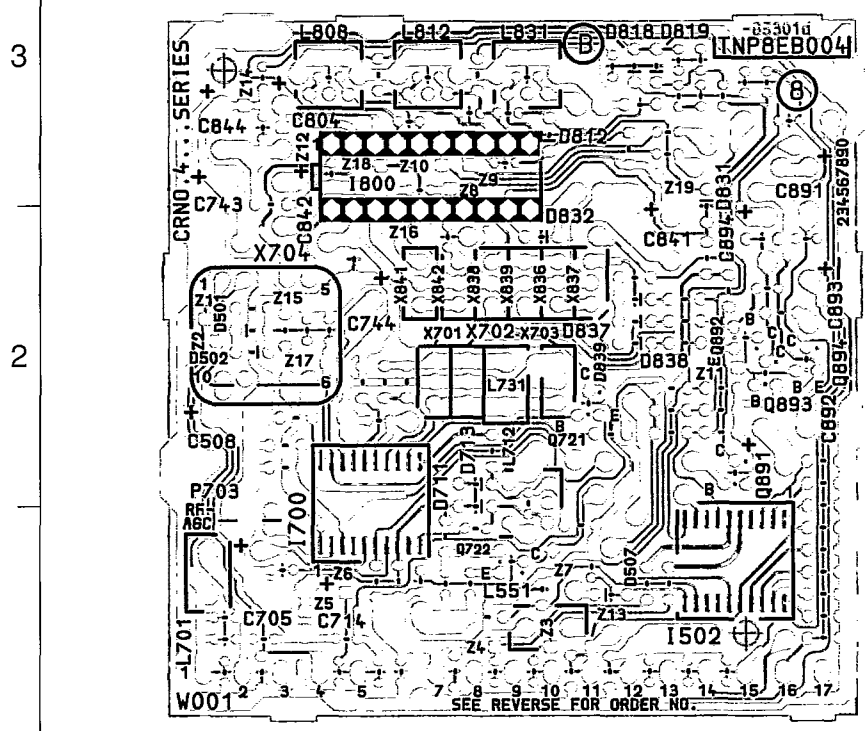
NOTE:
ALL COMPONENTS ON THE B BOARD HAVE
THE NUMBER (4) BEFORE THE COMPONENT
NUMBER. ie IC700 IS IC4700.

HINWIS:
ALLE BAUTEILE AUF DEM B-BOARD HABEN
DIE NUMMER (4) VOR DER BAUTEILNUMMER,
z.B. IC700 ENTSPRICHT IC4700.

B-BOARD TNP8EB004
PLATINE B TNP8EB004



B-BOARD TNP8EB004
PLATINE B TNP8EB004



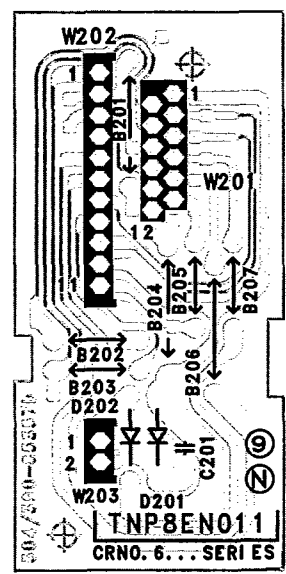
PARTS LOCATION	
B-BOARD	
IC	
IC4700	A2
IC4800	B3
IC4502	C1
Transistor	
Q4722	B1
Q4721	B2
Q4891	C2
Q4892	C2
Q4894	C2
Q4893	C2
Diode	
D4501	A2
D4502	A2
D4507	B1
D4837	B2
D4839	B2
D4711	B2
D4713	B2
D4818	B3
D4812	B3
D4832	B3
D4831	C3

A B C D

NOTE:
ALL COMPONENTS ON THE L BOARD HAVE
THE NUMBER (6) BEFORE THE COMPONENT
NUMBER. ie D432 IS D6432.

HINWEIS:
ALLE BAUTEILE AUF DEM L-BOARD HABEN
DIE NUMMER (6) VOR DER BAUTEILENUMMER,
z.B. D432 ENTSPRICHT D6432.

N-BOARD TNP8EN011
PLATINE N TNP8EN011



PARTS LOCATION

N-BOARD	
Diode	
D6201	C5
D6202	C5

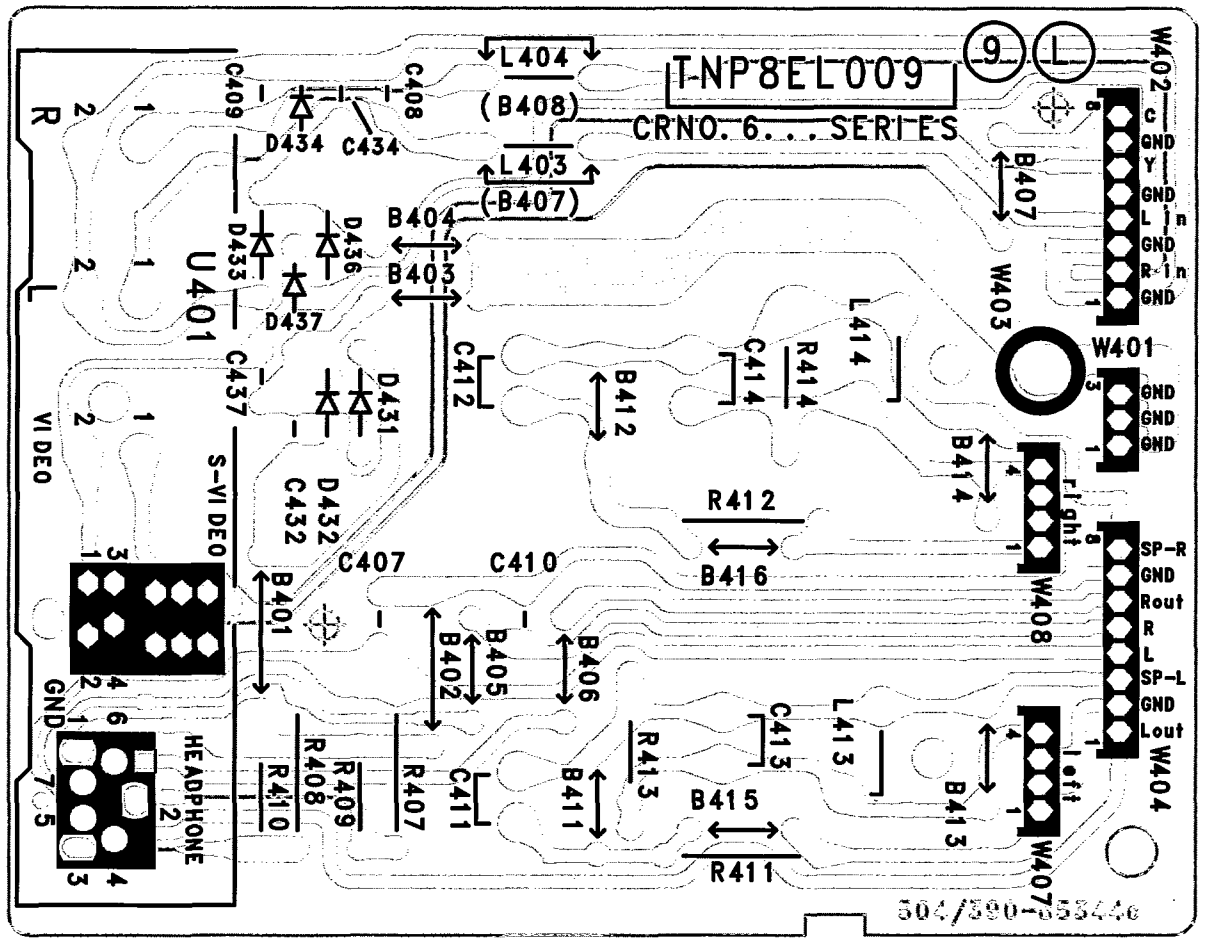
NOTE:
ALL COMPONENTS ON THE N BOARD HAVE
THE NUMBER (6) BEFORE THE COMPONENT
NUMBER. ie D201 IS D6201.

HINWEIS:
ALLE BAUTEILE AUF DEM N-BOARD HABEN
DIE NUMMER (6) VOR DER BAUTEILENUMMER,
z.B. D201 ENTSPRICHT D6201.

PARTS LOCATION

L-BOARD	
Diode	
D6432	B2
D6431	B3
D6433	B3
D6436	B3
D6437	B3
D6434	B4

L-BOARD TNP8EL009
PLATINE L TNP8EL009



6

5

4

3

2

1

A B C D E


SCHEMATIC DIAGRAM FOR MODELS TX-28/25W3C (EURO-1 CHASSIS)

ZEICHENERKLÄRUNG FÜR MODELL TX-28/25W3C (EURO-1 CHASSIS)



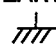
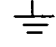



IMPORTANT SAFETY NOTICE

Components identified by  mark have special characteristics important for safety. When replacing any of these components, use only manufacturer's specified parts.

WICHTIGER SICHERHEITSHINWEIS

Teile, die mit einem Hinweis  gekennzeichnet sind, sind wichtig für die Sicherheit. Sollte ein Auswechseln erforderlich sein, sind unbedingt Originalteile einzusetzen.

Notes

1. **RESISTOR**
All resistors are carbon 1/4W resistor, unless marked as follows:
Unit of resistance is OHM (Ω) (K=1,000, M=1,000,000).
2. **COIL**
Unit of inductance is μ H, unless otherwise stated.
3. **TEST POINT**
 : Test Point position
 : Waveform Test Point position
4. **EARTH SYMBOL**
 : Chassis Earth (Cold)
 : Line Earth (Hot)
5. **VOLTAGE MEASUREMENT**
Voltage is measured by a DC voltmeter.
Measurement conditions are as follows:
Power source AC 230V, 50Hz
Receiving Signal Colour Bar signal (RF)
All customer controls Maximum position
6.  : Indicates the Video signal path
 : Indicates the Audio signal path
 : Indicates the Vertical/Horizontal signal path
7. This schematic diagram is the latest at the time of printing and is subject to change without notice.



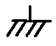




Precautions

- a. Do not touch the hot part, or the hot and cold parts at the same time, as you are liable to a shock hazard.
- b. Do not short-circuit the hot and cold circuits as electrical components may be damaged.
- c. Do not connect an instrument, such as an oscilloscope, to the hot and cold circuits simultaneously, as this may cause fuse failure. Connect the earth of the instruments to the earth connection of the circuit being measured.
- d. Make sure to disconnect the power plug before removing the chassis.

Remarks

1. The Power Circuit contains a circuit area which uses a separate power supply to isolate the earth connection. The circuit is defined by HOT and COLD indications in the schematic diagram. All circuits, except the Power Circuit, are COLD. Take the following precautions:

Anmerkung

1. **WIDERSTÄNDE**
Alle 1/4Watt Widerstände sind Kohlewiderstände, Abweichungen sind folgt gekennzeichnet.
Die Maßeinheit ist OHM (Ω) (K=1,000 M=1,000,000)
2. **SPULEN**
Die Maßeinheit ist μ H, Abweichungen sind gekennzeichnet.
3. **TESTPUNKE**
 : Kennzeichnung der Testpunktposition
 : Testpunkte mit Oszillogrammen
4. **MASSESYMBOL**
 : Erdung am Chassis
 : Erdung an Masse-Leitung
5. **SPANNUNGSMESSUNG**
Spannungsmessungen sind mit einem DC-Voltmeter durchzuführen. Die Meßbedingungen sind folgende:
Netzspannung 230V/50Hz
Wiedergabe Signal Farbbalken-Testbild
Alle übrigen Einstellungen Sollangaben für Benutzer
6.  : Videosignalweg
 : Audiosignalweg
 : Signalweg für Hor/Vert. Synchronsignale
7. Änderungen im Laufe der Fertigung sind möglich.

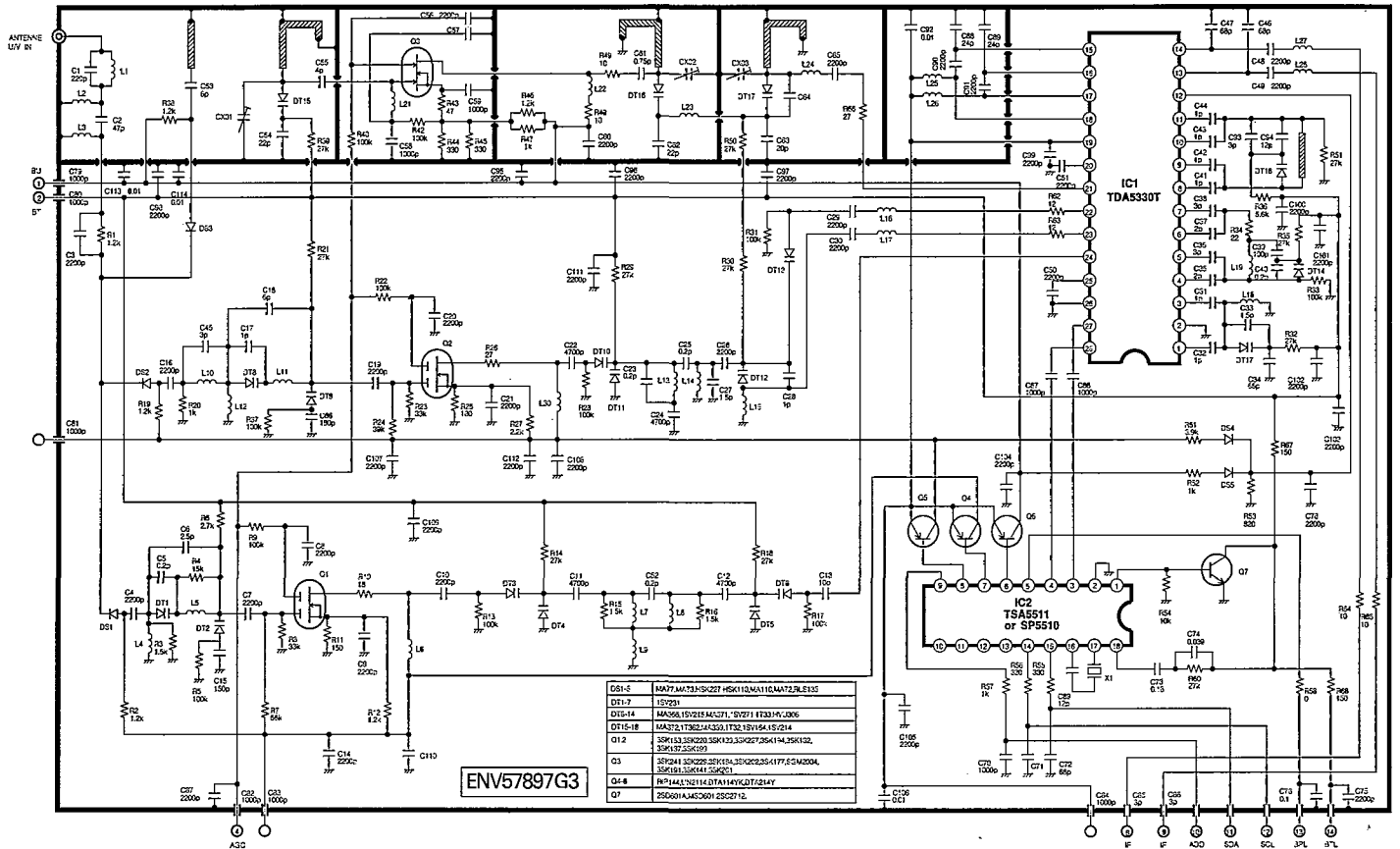
Für den netzverbundenen Bereich (HOT) sind folgende Vorsichtsmaßnahmen zu beachten:

- a. Weder die Leitungen im heißen noch Leitungen im kalten Bereich gleichzeitig berühren. Es besteht die Gefahr eines elektrischen Schlages.
- b. Keinesfalls die Leitungen im heißen Bereich mit denen im kalten Bereich verbinden oder kurzschliessen. Dies kann zur Zerstörung von Bauteilen oder Sicherungen führen. Außerdem ist die elektrische Betriebssicherheit des Gerätes nicht mehr gegeben.
- c. Keine Messinstrumente gleichzeitig an Leitungen im heißen und kalten Bereich anschliessen. Sicherungen könnten zerstört werden. Die Erde des Messinstrumentes immer mit der des zu prüfenden Schaltkreises verbinden.
- d. Vor Ausbau des Chassis, Stecker aus der Netzsteckdose ziehen.

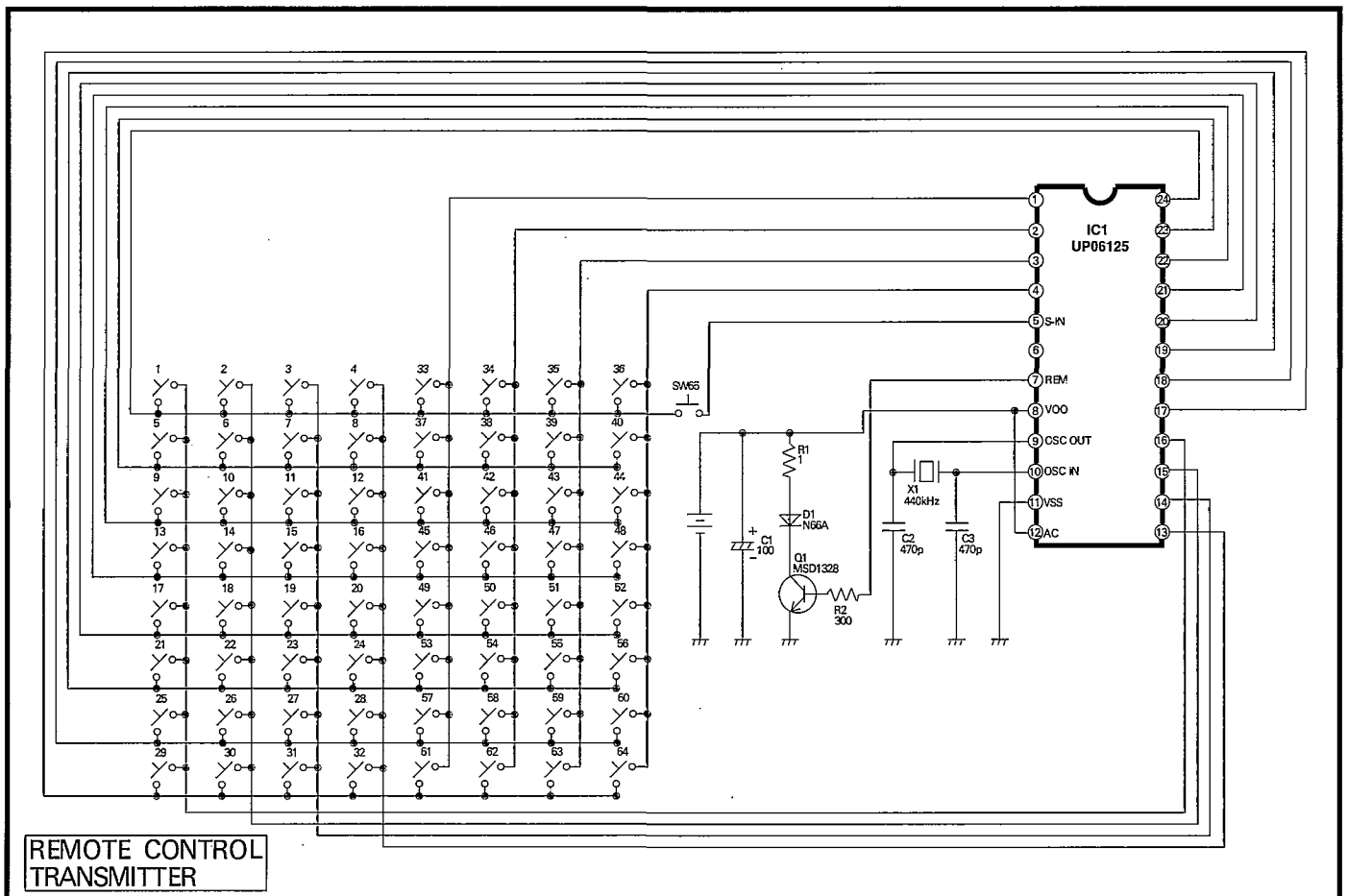
Bemerkungen

1. Das Schaltnetzteil enthält Bereiche, die direkt mit dem Netz verbunden sind. Diese Bereiche sind im Schaltplan mit HOT gekennzeichnet. Alle anderen Schaltungen sind mit COLD gekennzeichnet und haben keine direkte Verbindung mit dem Netz.

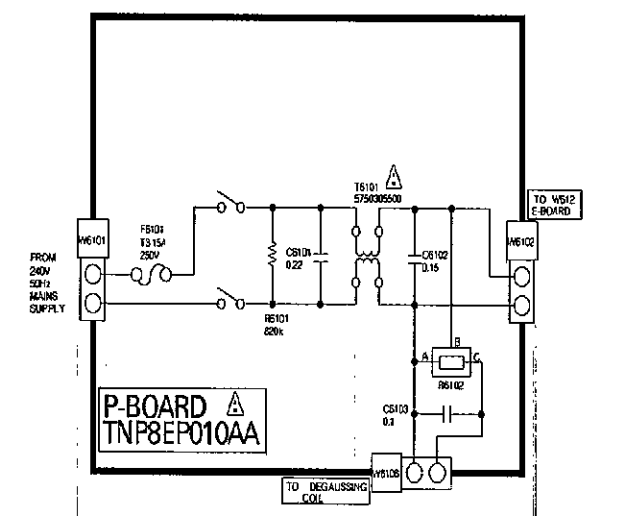
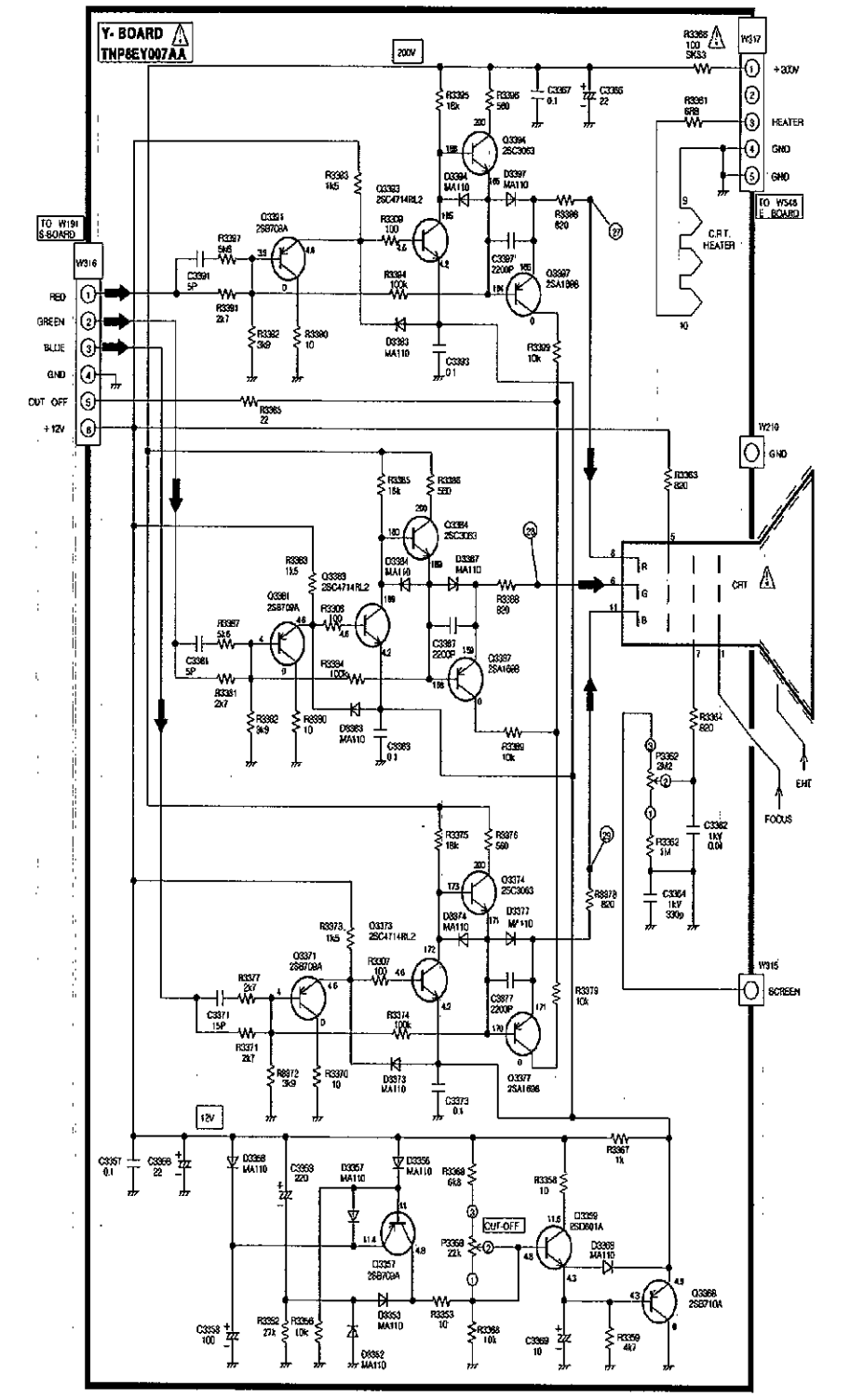
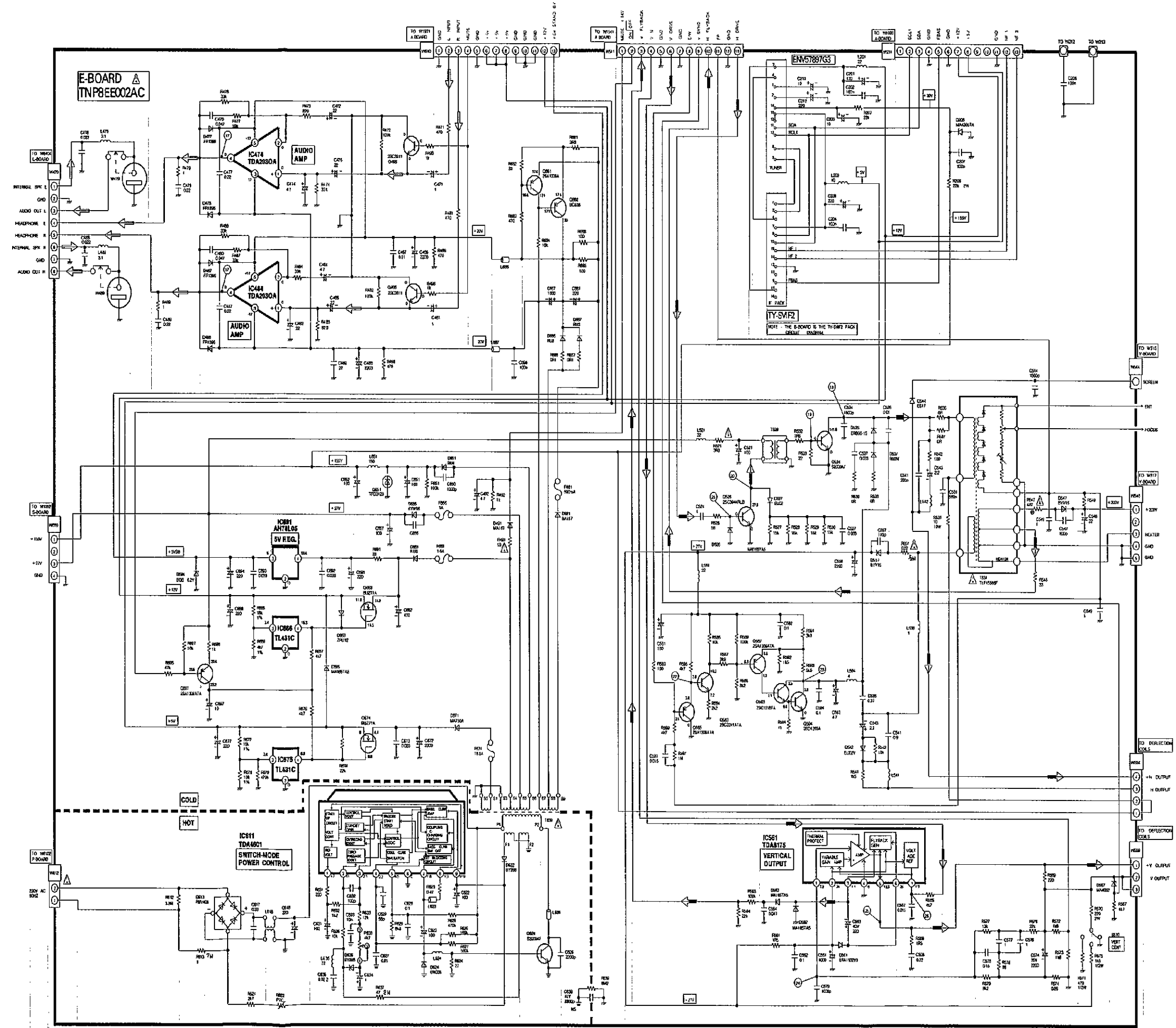
ENV57897G3



TNQ8E0453



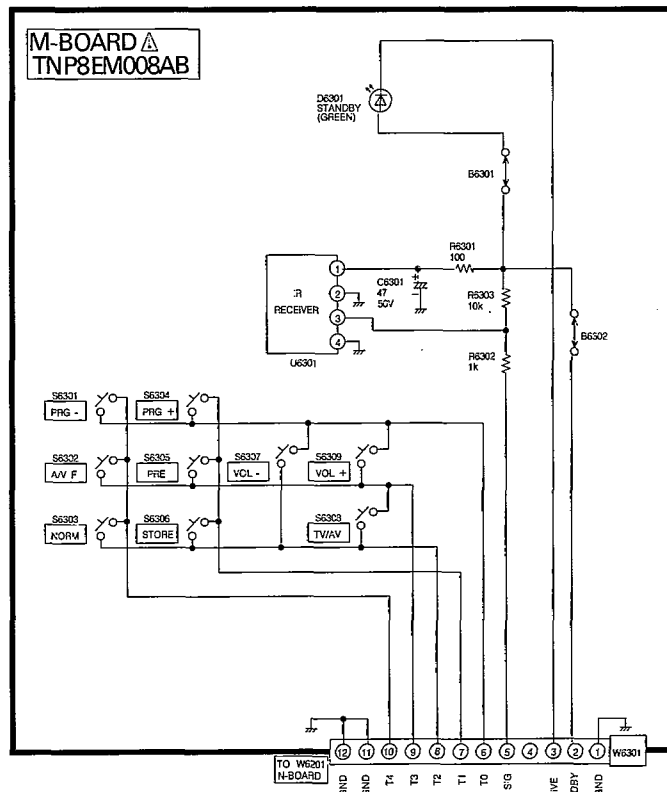
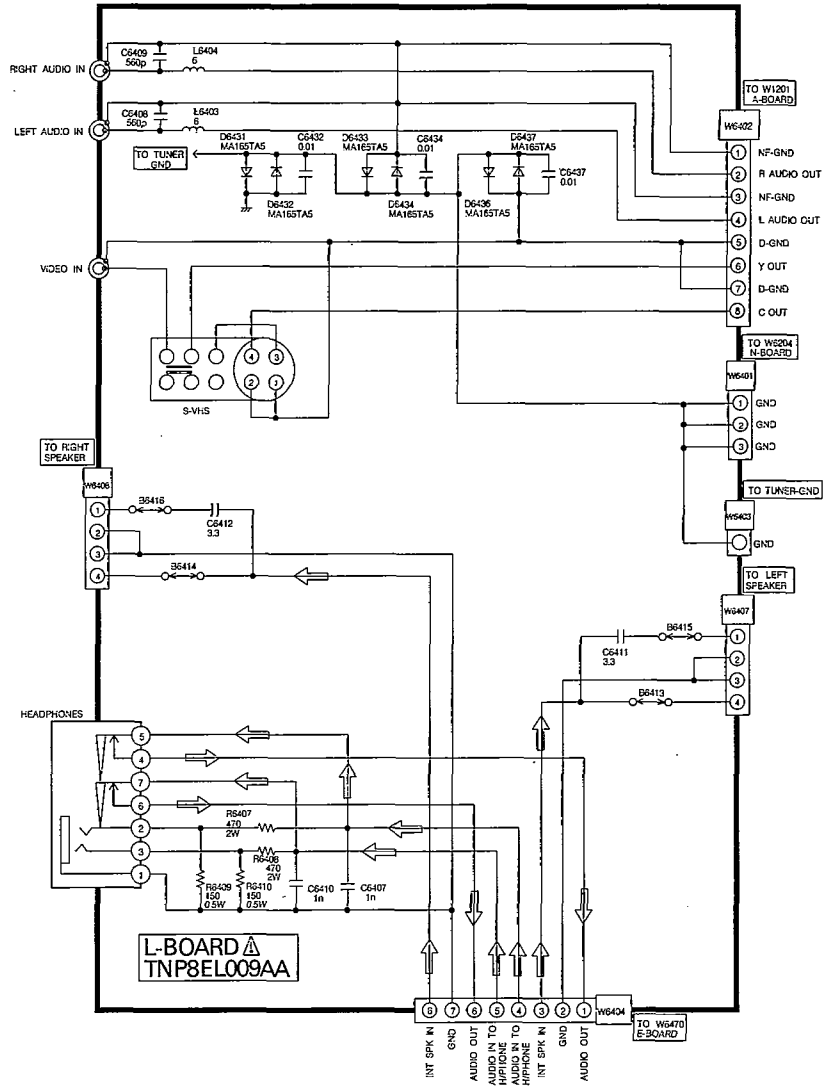
REMOTE CONTROL
TRANSMITTER

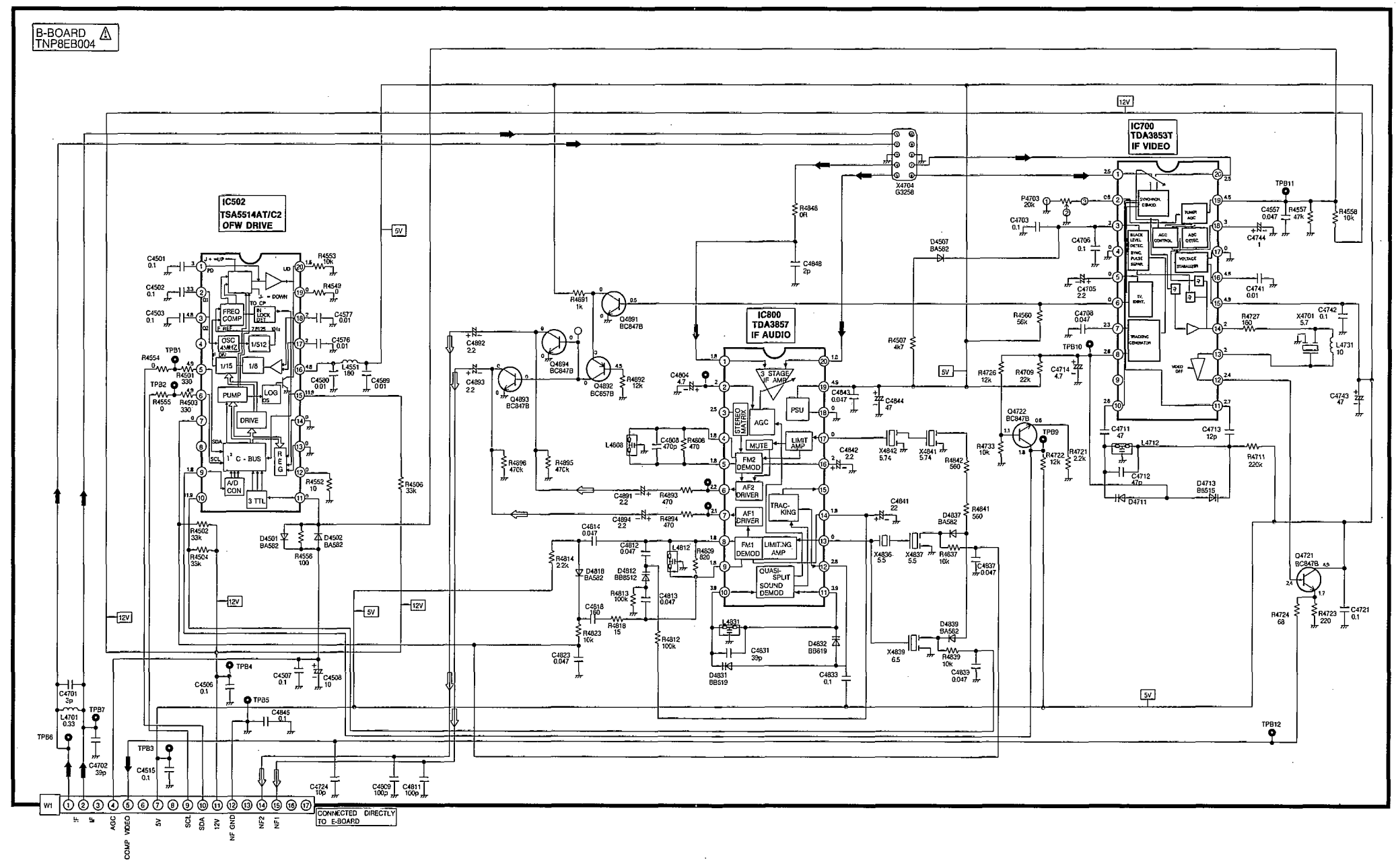
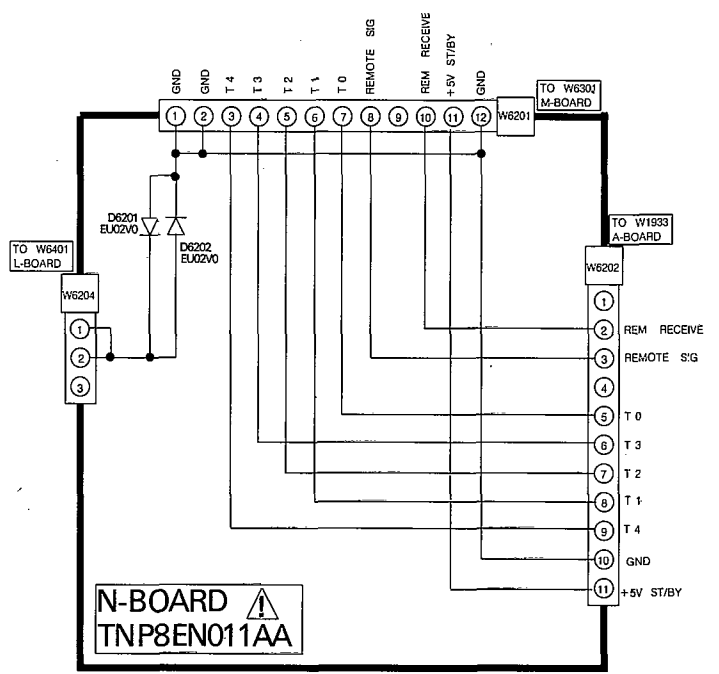
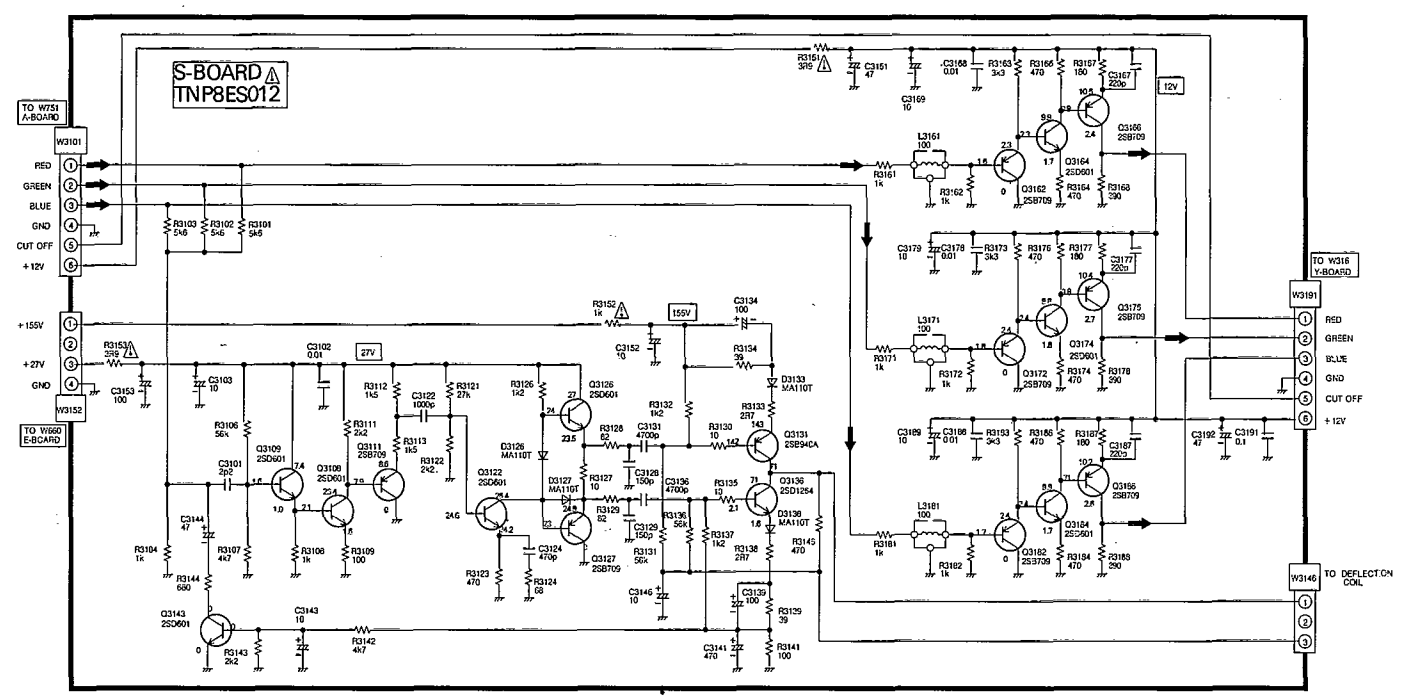


WAVEFORM PATTERN TABLE

SIGNAL TABELLE

<p>① Pin 4 IC1501</p> <p>5.36Vp-p (64µs)</p>	<p>② Pin 20 IC1501</p> <p>4.8Vp-p (20ms)</p>	<p>③ Pin 13 IC1501</p> <p>1.14Vp-p (64µs)</p>	<p>④ Pin 6 IC1501</p> <p>4.64Vp-p (20ms)</p>
<p>⑤ Pin 26 IC1501</p> <p>4Vp-p (20ms)</p>	<p>⑥ Pin 2 IC1501</p> <p>472mVp-p (20ms)</p>	<p>⑦ Pin 2 IC1601</p> <p>4.08Vp-p (64µs)</p>	<p>⑧ Pin 1 IC1631</p> <p>4.48Vp-p (64µs)</p>
<p>⑨ Pin 15 IC1631</p> <p>5.76Vp-p (64µs)</p>	<p>⑩ Pin 16 IC1631</p> <p>840mVp-p (64µs)</p>	<p>⑪ Pin 25 IC1631</p> <p>68.8mVp-p (64µs)</p>	<p>⑫ Pin 26 IC1631</p> <p>68.8mVp-p (64µs)</p>
<p>⑬ Pin 3 IC1801</p> <p>376mVp-p</p>	<p>⑭ Pin 7 IC1301</p> <p>216mVp-p</p>	<p>⑮ Pins 15 16 IC1301</p> <p>0.52Vp-p (1ms)</p>	<p>⑯ Pins 35 36 IC1301</p> <p>10.8mVp-p (1.04ms)</p>
<p>⑰ O P IC 474, 484 Audio</p> <p>1500Vp-p (20µs)</p>	<p>⑱ Collector Q534</p> <p>1500Vp-p (20µs)</p>	<p>⑲ Base Q534</p> <p>0.5Vp-p (64µs)</p>	<p>⑳ Collector drive Q593</p> <p>52.8Vp-p (64µs)</p>
<p>㉑ Base drive Q526</p> <p>1.72Vp-p (64µs)</p>	<p>㉒ Base Q583</p> <p>1500Vp-p (20ms)</p>	<p>㉓ Collector Q593</p> <p>12Vp-p (20ms)</p>	<p>㉔ Pin 1 IC661</p> <p>1.24Vp-p (20.2ms)</p>
<p>㉕ Pin 5 IC661</p> <p>5.04Vp-p (20.2ms)</p>	<p>㉖ Pin 6 IC661</p> <p>1.96Vp-p (20ms)</p>	<p>㉗ RED drive</p> <p>150Vp-p (20µs)</p>	<p>㉘ GREEN drive</p> <p>140Vp-p (20µs)</p>
<p>㉙ BLUE drive</p> <p>130Vp-p (20µs)</p>			





PARTS LOCATION

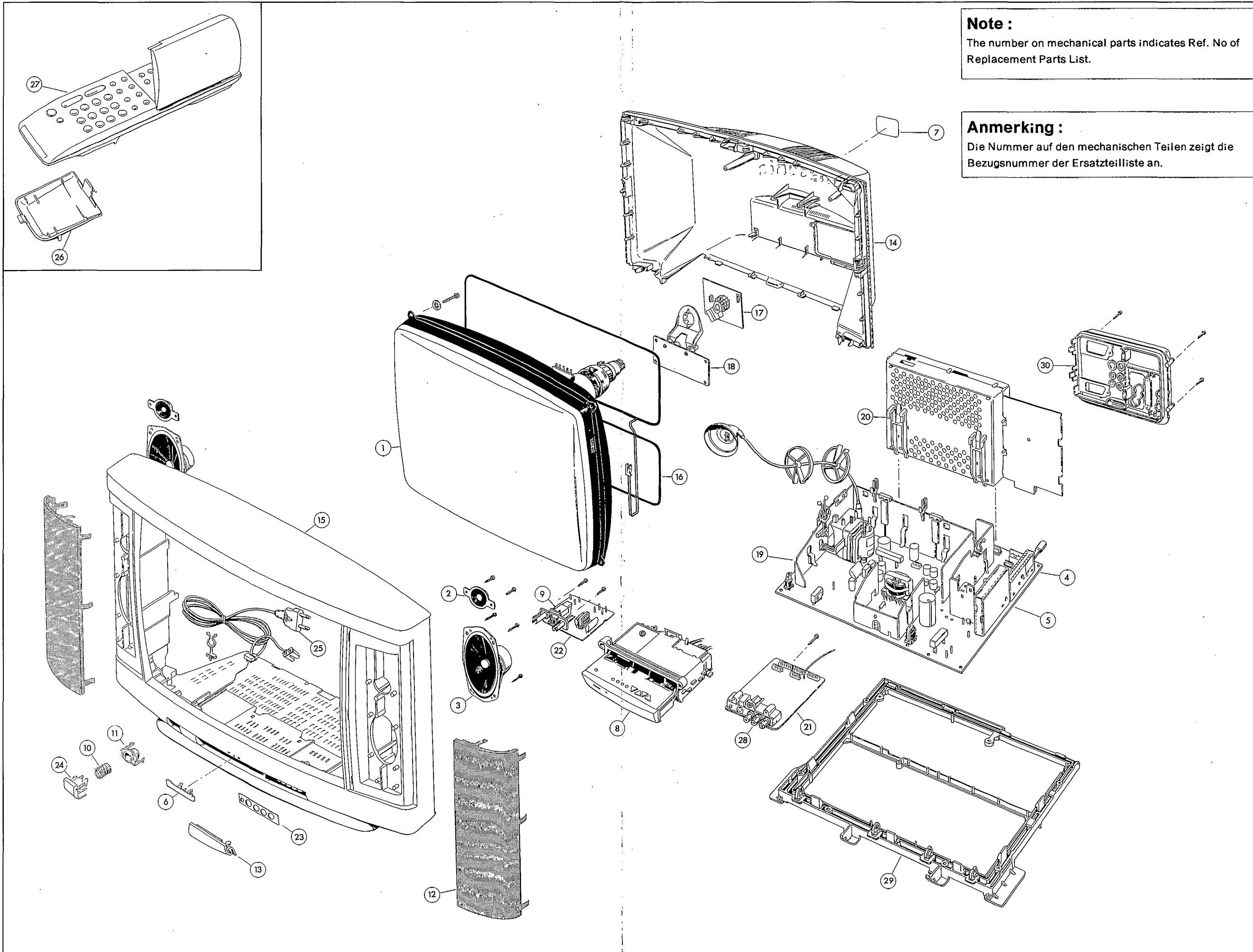
EXPLOSIONSZEICHNUNG

Note :

The number on mechanical parts indicates Ref. No of Replacement Parts List.

Anmerking :

Die Nummer auf den mechanischen Teilen zeigt die Bezugsnummer der Ersatzteilliste an.



REPLACEMENT PARTS LIST

ERSATZTEILLISTE

Important Safety Notice
Components identified by Δ mark have special characteristics important for safety. When replacing any of these components, use only manufacturer's specified parts.

Wichtiger Sicherheitshinweis
Teile, die mit einem Hinweis Δ gekennzeichnet sind, sind wichtig für die Sicherheit. Solite ein Auswechseln erforderlich sein, sind unbedingt Originalteile einzusetzen.

Ref No.	Part No.	Description		
MISCELLANEOUS COMPONENTS				
1)	A66EAK252X21	C. R. T. Δ		
2)	EAS5PH570K-G	SPEAKER (TWEETER)		
3)	EAS5PH507KAG	SPEAKER (WOOFER)		
4)	ENV57897G3	TUNER Δ		
5)	TY-SVIF2	SVIF PACK Δ		
6)	TBM153010	PANASONIC BADGE		
7)	TBM8E1187	REAR COVER LABEL		
8)	TKK8E00A	TRAY ASSY COMPLETE		
9)	ESB99902V	POWER SWITCH		
10)	TES8E003	SPRING FOR POWER SWITCH		
11)	TKK8E014	SPACER FOR POWER SWITCH		
12)	TKP8E1076	SPEAKER NET		
13)	TKP8E1074	LID DOOR		
14)	TKU8E00131	REAR COVER Δ		
15)	TKY8E013	CABINET Δ		
16)	TK4NXBQG	DEGAUSS COIL		
17)	TNP8EY007AA	Y P. C. B. Δ		
18)	TNP8ES012	S P. C. B. Δ		
19)	TNP8EE002AC	E P. C. B. Δ		
20)	TNP8EA003AD	A P. C. B. Δ		
21)	TNP8EL009AA	L P. C. B. Δ		
22)	TNP8EP010AA	P P. C. B. Δ		
23)	TBM8E1162	AV4 LABEL		
24)	TBX8E011	POWER BUTTON		
25)	TSX5131	AC CORD Δ		
26)	UR51EC749	BATTERY COVER		
27)	TNQ8E0453	REMOTE CONTROL		
28)	TJB8E004	AV4 TERMINAL BLOCK		
29)	TMX8E005	CHASSIS FRAME		
30)	TUX8E005	REAR AV PANEL		
	TNP8EM008AB	M P. C. B. Δ		
	TNP8EN011AA	N P. C. B. Δ		
	TQB8E0681	INSTRUCTION BOOK ITALY Δ		
	TQB8E0746	INSTRUCTION BOOK GERMANY Δ		
	TQB8E0747	INSTRUCTION BOOK HOLLAND Δ		
	TQB8E0748	INSTRUCTION BOOK SWITZERLAND Δ		
	TNQ2667A	INFRA RED RECEIVER		
	TPC8E4307	OUTER CARTON		
	TPD8E545	TOP CUSHION		
	TPD8E554	BOTTOM CUSHION		
	134-21-21	AV1/AV2 21PIN TERMINAL		
	YKF51-5325	AV3 S-VHS 4PIN TERMINAL		
	YKB11-0867	AV3 RCA TERMINAL R CHANNEL		
	YKB11-0866	AV3 RCA TERMINAL L CHANNEL		
F656	TR5-T1000	FUSE Δ		
F661	TR5-T2000	FUSE Δ		
F671	TR5-T6300	FUSE Δ		
F681	TR5-T500	FUSE Δ		
F6101	2153. 15H	FUSE Δ		
H6101	EYF52BC	FUSE HOLDER Δ		
DIFFERENCE LIST FOR TX-25W3C MISCELLANEOUS COMPONENTS				
1)	A59EAK252X21	C. R. T. Δ		
12)	TKP8E1080	SPEAKER NET		
14)	TKU8E00132	REAR COVER Δ		
15)	TKY8E014-A	CABINET Δ		
	TPC8E4332	OUTER CARTON		
	TPD8E551	TOP CUSHION		
	TPD8E552	BOTTOM CUSHION		
CAPACITOR				
C201	ECEA1CU470	ELECT	16V	47 μ F
C202	ECQB1H104J	FILM	50V	100nF
C203	ECEA1CU221	ELECT	16V	220 μ F
C204	ECQB1H104J	FILM	50V	100nF
C206	ECEA1HU010	ELECT	50V	1 μ F
C207	ECQB1H104J	FILM	50V	100nF
C208	ECQB1H104J	FILM	50V	100nF

Ref No.	Part No.	Description
C211	ECEA1HU100	ELECT 50V 10 μ F
C212	ECEA1HUR22	ELECT 50V 0.22 μ F
C466	ECEA1HU222	ELECT 50V 2200 μ F
C467	ECKC1H223J	CERAMIC 50V 22nF
C468	ECEA1HU222	ELECT 50V 2200 μ F
C469	ECKC1H223J	CERAMIC 50V 22nF
C470	ECQB1H223K	FILM 50V 22nF
C471	ECEA1HU010	ELECT 50V 1 μ F
C472	ECEA1CU220	ELECT 16V 22 μ F
C474	ECQB1H103J	FILM 50V 10nF
C476	ECEA1HU010	ELECT 50V 1 μ F
C477	ECQM1H224J	FILM 50V 220nF
C478	ECKC1H222J	CERAMIC 50V 2.2nF
C479	ECQM1H224J	FILM 50V 220nF
C480	ECQB1H223K	FILM 50V 22nF
C481	ECEA1HU010	ELECT 50V 1 μ F
C482	ECEA1CU220	ELECT 16V 22 μ F
C484	ECQB1H103J	FILM 50V 10nF
C486	ECEA1HU010	ELECT 50V 1 μ F
C487	ECQM1H224J	FILM 50V 220nF
C488	ECKC1H222J	CERAMIC 50V 2.2nF
C489	ECQM1H224J	FILM 50V 220nF
C492	ECEA1HU4R7	ELECT 50V 4.7 μ F
C521	ECEA1HU101	ELECT 50V 100 μ F
C524	ECQV1H105JZ	FILM 50V 1 μ F
C527	ECQM2683JZ	FILM 250V 68nF
C531	ECQM2564KZ	FILM 250V 560nF
C534	ECKC3D152J	CERAMIC 2KV 1.5nF Δ
C536	ECWH12H103J	FILM 1250V 10nF Δ
C537	ECQF6303JZ	FILM 630V 30nF
C538	ECWF2H374J	FILM 500V 370nF Δ
C541	ECWF2H904J	FILM 500V 900nF Δ
C543	ECEA2VU2R2	ELECT 350V 2.2 μ F
C544	ECKC3D152J	CERAMIC 2KV 1.5nF Δ
C547	ECKC2H101J	CERAMIC 500V 100pF Δ
C548	ECEA2EU220	ELECT 250V 22 μ F
C549	ECEA1HN2R2	ELECT 50V 2.2 μ F
C557	ECKC2H101J	CERAMIC 500V 100pF Δ
C558	ECEA1HU222	ELECT 50V 2200 μ F
C561	ECEA1VFE272Y	ELECT 35V 2700 μ F
C562	ECQB1H104J	FILM 50V 100nF
C563	ECEA1HU221	ELECT 50V 220 μ F
C564	ECQB1H473K	FILM 50V 47nF
C567	ECQB1H223K	FILM 50V 22nF
C568	ECQM1H224J	FILM 50V 220nF
C574	ECEA1VU332	ELECT 35V 3300 μ F
C576	ECQM1H684J	FILM 50V 680nF
C577	ECQV1H105JZ	FILM 50V 1 μ F
C578	ECQM1H154J	FILM 50V 150nF
C579	ECQB1H472J	FILM 50V 4.7nF
C581	ECEA1HU101	ELECT 50V 100 μ F
C582	ECQB1H104J	FILM 50V 100nF
C593	ECEA1HGE4R7	ELECT 50V 4.7 μ F
C594	ECQB1H104J	FILM 50V 100nF
C597	ECQB1H103J	FILM 50V 10nF
C617	ECQM4334JZ	FILM 400V 330nF
C618	ECOS2GA221CA	ELECT 400V 220 μ F
C622	ECEA1EU101	ELECT 25V 100 μ F
C623	ECEA1HU101	ELECT 50V 100 μ F
C626	ECKC3A222J	CERAMIC 1KV 2200pF Δ
C627	ECQB1H103J	FILM 50V 10nF
C628	ECQB1H104J	FILM 50V 100nF
C629	ECCR1H560J	CERAMIC 50V 56pF
C631	ECEA1CU101	ELECT 16V 100 μ F
C632	ECCR1H101J	CERAMIC 50V 100pF
C633	ECQB1H103J	FILM 50V 10nF
C634	ECEA1HU010	ELECT 50V 1 μ F
C636	ECQB1H223K	FILM 50V 22nF
C639	ECKCNS332J	CERAMIC 1.2KV 3.3nF Δ
C650	ECKC3A102J	CERAMIC 1KV 1nF Δ

Ref No.	Part No.	Description		
C1634	ECUV1H470JCM	S. M. CAP	50V	47pF
C1635	ECUV1H472KBM	CERAMIC	50V	4.7nF
C1638	ECUV1H104KBW	CERAMIC	50V	100nF
C1639	ECEA1CU221	ELECT	16V	220µF
C1642	ECUV1H104KBW	CERAMIC	50V	100nF
C1648	ECEA1HU4R7	ELECT	50V	4.7µF
C1651	ECUV1H104KBW	CERAMIC	50V	100nF
C1652	ECEA1CU470	ELECT	16V	47µF
C1661	ECUV1H104KBW	CERAMIC	50V	100nF
C1662	ECUV1H104KBW	CERAMIC	50V	100nF
C1664	ECUV1H472KBM	CERAMIC	50V	4.7nF
C1671	ECEA1CU470	ELECT	16V	47µF
C1672	ECUV1H104KBW	CERAMIC	50V	100nF
C1673	ECUV1H104KBW	CERAMIC	50V	100nF
C1674	ECEA1CU470	ELECT	16V	47µF
C1676	ECEA1CU470	ELECT	16V	47µF
C1677	ECUV1H104KBW	CERAMIC	50V	100nF
C1678	ECUV1H102KBM	S. M. CAP	50V	1nF
C1681	ECUV1H101JCH	CERAMIC	50V	100pF
C1682	ECUV1H103KBM	CERAMIC	50V	10nF
C1687	ECUV1H151JCH	CERAMIC	50V	150pF
C1701	ECUV1H102KBM	S. M. CAP	50V	1nF
C1702	ECUV1H102KBM	S. M. CAP	50V	1nF
C1706	ECUV1H104KBW	CERAMIC	50V	100nF
C1726	ECUV1H104KBW	CERAMIC	50V	100nF
C1727	ECEA1EU471	ELECT	25V	470µF
C1729	ECEA1CU101	ELECT	16V	100µF
C1731	ECUV1H104KBW	CERAMIC	50V	100nF
C1751	ECUV1H104KBW	CERAMIC	50V	100nF
C1752	ECUV1H104KBW	CERAMIC	50V	100nF
C1761	ECEA1CU470	ELECT	16V	47µF
C1762	ECUV1H104KBW	CERAMIC	50V	100nF
C1763	ECUV1H104KBW	CERAMIC	50V	100nF
C1764	ECUV1H472KBM	CERAMIC	50V	4.7nF
C1766	ECUV1H104KBW	CERAMIC	50V	100nF
C1767	ECUV1H560JCM	S. M. CAP	50V	56pF
C1768	ECUV1H102KBM	S. M. CAP	50V	1nF
C1771	ECUV1H104KBW	CERAMIC	50V	100nF
C1772	ECUV1H104KBW	CERAMIC	50V	100nF
C1773	ECUV1H101JCH	CERAMIC	50V	100pF
C1774	ECUV1H104KBW	CERAMIC	50V	100nF
C1776	ECEA1CU470	ELECT	16V	47µF
C1777	ECUV1H104KBW	CERAMIC	50V	100nF
C1786	ECUV1H104KBW	CERAMIC	50V	100nF
C1792	ECUV1H104KBW	CERAMIC	50V	100nF
C1801	ECUV1H104KBW	CERAMIC	50V	100nF
C1802	ECEA1CU470	ELECT	16V	47µF
C1806	ECUV1H104KBW	CERAMIC	50V	100nF
C1808	ECUV1H332KBM	CERAMIC	50V	3.3nF
C1811	ECUV1H332KBM	CERAMIC	50V	3.3nF
C1816	ECUV1H104KBW	CERAMIC	50V	100nF
C1826	ECUV1H104KBW	CERAMIC	50V	100nF
C1836	ECUV1H332KBM	CERAMIC	50V	3.3nF
C1838	ECUV1H332KBM	CERAMIC	50V	3.3nF
C1841	ECUV1H332KBM	CERAMIC	50V	3.3nF
C1843	ECUV1H332KBM	CERAMIC	50V	3.3nF
C1846	ECUV1H332KBM	CERAMIC	50V	3.3nF
C1849	ECEA1HU4R7	ELECT	50V	4.7µF
C1851	ECUV1H470JCM	S. M. CAP	50V	47pF
C1853	ECUV1H220JCM	CERAMIC	50V	22pF
C1854	ECUV1H220JCM	CERAMIC	50V	22pF
C1857	ECUV1H470JCM	S. M. CAP	50V	47pF
C1858	ECUV1H104KBW	CERAMIC	50V	100nF
C1860	ECUV1H104KBW	CERAMIC	50V	100nF
C1861	ECUV1H104KBW	CERAMIC	50V	100nF
C1871	ECUV1H104KBW	CERAMIC	50V	100nF
C1885	ECUV1H560JCM	S. M. CAP	50V	56pF
C1887	ECUV1H560JCM	S. M. CAP	50V	56pF
C1888	ECUV1H104KBW	CERAMIC	50V	100nF
C1889	ECUV1H560JCM	S. M. CAP	50V	56pF
C1899	ECUV1H102KBM	S. M. CAP	50V	1nF
C1922	ECUV1H104KBW	CERAMIC	50V	100nF
C1925	ECUV1H104KBW	CERAMIC	50V	100nF
C1931	ECUV1H104KBW	CERAMIC	50V	100nF
C1932	ECUV1H104KBW	CERAMIC	50V	100nF
C1941	ECUV1H104KBW	CERAMIC	50V	100nF
C1942	ECEA1CU470	ELECT	16V	47µF
C1961	ECEA1CU221	ELECT	16V	220µF
C1962	ECEA1CU470	ELECT	16V	47µF
C1964	ECEA1CU470	ELECT	16V	47µF
C1972	ECUV1H104KBW	CERAMIC	50V	100nF
C1973	ECUV1H104KBW	CERAMIC	50V	100nF

Ref No.	Part No.	Description		
C1974	ECUV1H104KBW	CERAMIC	50V	100nF
C1976	ECUV1H104KBW	CERAMIC	50V	100nF
C1978	ECUV1H104KBW	CERAMIC	50V	100nF
C3101	ECUV1H030CCM	CERAMIC	50V	30pF
C3102	ECUV1H103KBM	CERAMIC	50V	10nF
C3103	ECEA1HU100	ELECT	50V	10µF
C3122	ECUV1H102KBM	S. M. CAP	50V	1nF
C3124	ECUV1H471JCH	CERAMIC	50V	470pF
C3128	ECUV1H151JCH	CERAMIC	50V	150pF
C3129	ECUV1H151JCH	CERAMIC	50V	150pF
C3131	ECKC2H472J	CERAMIC	500V	4.7nF Δ
C3134	ECEA1CU101	ELECT	16V	100µF
C3136	ECKC2H472J	CERAMIC	500V	4.7nF Δ
C3139	ECEA1CU101	ELECT	16V	100µF
C3141	ECEA1CU471	ELECT	16V	470µF
C3143	ECEA1CU100	ELECT	16V	10µF
C3144	ECEA1CU470	ELECT	16V	47µF
C3146	ECEA2EU220	ELECT	250V	22µF
C3152	ECEA2EU220	ELECT	250V	22µF
C3153	ECEA1JU101	ELECT	63V	100µF
C3167	ECUV1H470JCM	S. M. CAP	50V	47pF
C3168	ECUV1H103KBM	CERAMIC	50V	10nF
C3169	ECEA1CU100	ELECT	16V	10µF
C3177	ECUV1H470JCM	S. M. CAP	50V	47pF
C3178	ECUV1H103KBM	CERAMIC	50V	10nF
C3179	ECEA1CU100	ELECT	16V	10µF
C3187	ECUV1H470JCM	S. M. CAP	50V	47pF
C3188	ECUV1H103KBM	CERAMIC	50V	10nF
C3189	ECEA1CU100	ELECT	16V	10µF
C3191	ECUV1H104KBW	CERAMIC	50V	100nF
C3192	ECEA1CU470	ELECT	16V	47µF
C3353	ECEA1CU221	ELECT	16V	220µF
C3356	ECEA1CU220	ELECT	16V	22µF
C3357	ECUV1H104KBW	CERAMIC	50V	100nF
C3358	ECEA1CU101	ELECT	16V	100µF
C3362	HBX223SBBCHO	CAPACITOR		
C3364	ECKC3A331J	CERAMIC	1000V	330pF Δ
C3366	ECEA2EU220	ELECT	250V	22µF
C3367	ECQM2104KZ	FILM	250V	100nF
C3369	ECEA1CU100	ELECT	16V	10µF
C3371	ECUV1H150JCM	S. M. CAP	50V	15pF
C3373	ECUV1H104KBW	CERAMIC	50V	100nF
C3377	ECUV1H222JCM	CERAMIC	50V	2.2nF
C3381	ECUV1H050CCM	CERAMIC	50V	5pF
C3383	ECUV1H104KBW	CERAMIC	50V	100nF
C3387	ECUV1H222JCM	CERAMIC	50V	2.2nF
C3391	ECUV1H050CCM	CERAMIC	50V	5pF
C3393	ECUV1H104KBW	CERAMIC	50V	100nF
C3397	ECUV1H222JCM	CERAMIC	50V	2.2nF
C4501	ECUV1H104KBW	CERAMIC	50V	100nF
C4502	ECUV1H104KBW	CERAMIC	50V	100nF
C4503	ECUV1H104KBW	CERAMIC	50V	100nF
C4506	ECUV1H104KBW	CERAMIC	50V	100nF
C4507	ECUV1H104KBW	CERAMIC	50V	100nF
C4508	ECEA1CKA100	ELECT	16V	10µF
C4515	ECUV1H104KBW	CERAMIC	50V	100nF
C4557	ECUV1H473ZFX	CERAMIC	50V	47nF
C4576	ECUV1H103KBM	CERAMIC	50V	10nF
C4577	ECUV1H103KBM	CERAMIC	50V	10nF
C4580	ECUV1H103KBM	CERAMIC	50V	10nF
C4589	ECUV1H103KBM	CERAMIC	50V	10nF
C4701	ECUV1H030CCM	S. M. CAP	50V	30pF
C4702	ECUV1H390JCM	CERAMIC	50V	39pF
C4703	ECUV1H104KBW	CERAMIC	50V	100nF
C4705	ECEA1HKA2R2	ELECT	50V	2.2µF
C4706	ECUV1H104KBW	CERAMIC	50V	100nF
C4708	ECUV1H473ZFX	CERAMIC	50V	47nF
C4711	ECUV1H470JCM	CERAMIC	50V	47pF
C4712	ECUV1H470JCM	CERAMIC	50V	47pF
C4713	ECUV1H120JCM	S. M. CAP	50V	12pF
C4714	ECEA1HKA4R7	ELECT	50V	4.7µF
C4721	ECUV1H104KBW	CERAMIC	50V	100nF
C4724	ECUV1H100DCN	S. M. CAP	50V	10pF
C4741	ECUV1H103KBM	CERAMIC	50V	10nF
C4742	ECUV1H104ZFX	CERAMIC	50V	100nF
C4743	ECEA1CKA470	ELECT	16V	47µF
C4744	ECEA50Z1	ELECT	50V	1µF
C4746	ECUV1H050DCM	CERAMIC	50V	5pF
C4804	ECEA1EKA4R7	ELECT	25V	4.7µF
C4808	ECUV1H471JCH	CERAMIC	50V	470pF
C4809	ECUV1H101JCM	CERAMIC	50V	100pF
C4811	ECUV1H101JCM	CERAMIC	50V	100pF

Ref No.	Part No.	Description		
C4812	ECUV1H473ZFX	CERAMIC	50V	47nF
C4813	ECUV1H473ZFX	CERAMIC	50V	47nF
C4814	ECUV1H473KBW	CERAMIC	50V	47nF
C4818	ECUV1H181JCG	CERAMIC	50V	180pF
C4823	ECUV1H473ZFX	CERAMIC	50V	47nF
C4831	ECUV1H390JCG	CERAMIC	50V	39pF
C4833	ECUV1H104KBW	CERAMIC	50V	100nF
C4837	ECUV1H473KBW	CERAMIC	50V	47nF
C4839	ECUV1H473KBW	CERAMIC	50V	47nF
C4841	ECEA1CKA220	ELECT	16V	22μF
C4842	ECEA1HKA2R2	ELECT	50V	2.2μF
C4843	ECUV1H473ZFX	CERAMIC	50V	47nF
C4844	ECEA1CKA470	ELECT	16V	47μF
C4845	ECUV1H104KBW	CERAMIC	50V	100nF
C4847	ECUV1H100DCN	S. M. CAP	50V	10pF
C4848	ECUV1H020CCN	S. M. CAP	50V	20pF
C4891	ECEA1HKA2R2	ELECT	50V	2.2μF
C4892	ECEA1HKA2R2	ELECT	50V	2.2μF
C4893	ECEA1HKA2R2	ELECT	50V	2.2μF
C4894	ECEA1HKA2R2	ELECT	50V	2.2μF
C6101	ECQU2A224MN	FILM	250V	220nF
C6102	ECQU2A154MN	FILM	250V	150nF
C6103	ECQM2A104KZ	FILM	250V	100nF
C6301	ECEA1HFS470	ELECT	50V	47μF
C6407	ECKC1H102J	CERAMIC	50V	1000pF
C6408	ECCR1H561J	CERAMIC	50V	560pF
C6409	ECCR1H561J	CERAMIC	50V	560pF
C6410	ECKC1H102J	CERAMIC	50V	1000pF
C6411	ECEA50Y3R3	ELECT	50V	3.3μF
C6412	ECEA50Y3R3	ELECT	50V	3.3μF
C6432	ECKC1H102J	CERAMIC	50V	1000pF
C6434	ECKC1H103JB	CERAMIC	50V	10nF
C6437	ECKC1H103JB	CERAMIC	50V	10nF
DIODES				
D206	MA4300	DIODE		
D477	RGP10AF	DIODE		
D478	RGP10AF	DIODE		
D487	RGP10AF	DIODE		
D488	RGP10AF	DIODE		
D491	MA167TA5	DIODE		
D526	MA165TA5	DIODE		
D527	EU02	DIODE		
D536	ERB0615	DIODE		
D537	TVSRU2AM	DIODE		
D544	TVSES1FV1	DIODE		
D547	TVSAU02V0	DIODE		
D557	TVSRU2AM	DIODE		
D561	ERA15-02V3	DIODE		
D562	MA165TA5	DIODE		
D563	MA165TA5	DIODE		
D567	MA4062	DIODE		
D613	RBV4-08	DIODE		
D622	EU02	DIODE		
D624	ERA15-02V3	DIODE		
D636	EU02	DIODE		
D651	RU4BLF-L1	DIODE		
D656	EU02	DIODE		
D661	RU3NLF4	DIODE		
D663	MA4120	DIODE		
D665	MA165TA5	DIODE		
D671	MA750LT	DIODE		
D681	EU02	DIODE		
D686	RU30LF302	DIODE		
D687	RU30LF302	DIODE		
D694	TVSQB106TV1	DIODE		
D1001	MA110TX	DIODE		
D1002	MA110TX	DIODE		
D1012	MA8110MTX	DIODE		
D1031	MA8120TX	DIODE		
D1032	MA8120TX	DIODE		
D1033	MA8120TX	DIODE		
D1037	MA8120TX	DIODE		
D1041	MA8120TX	DIODE		
D1042	MA8120TX	DIODE		
D1043	MA8120TX	DIODE		
D1047	MA8120TX	DIODE		
D1051	MA8120TX	DIODE		
D1052	MA8120TX	DIODE		
D1061	MA8120TX	DIODE		
D1062	MA8120TX	DIODE		

Ref No.	Part No.	Description		
D1071	MA110TX	DIODE		
D1072	MA110TX	DIODE		
D1073	MA110TX	DIODE		
D1114	MA8120TX	DIODE		
D1122	MA8120TX	DIODE		
D1138	MA8056TX	DIODE		
D1139	MA8056TX	DIODE		
D1144	MA8120TX	DIODE		
D1149	MA8120TX	DIODE		
D1152	MA8120TX	DIODE		
D1171	MA110TX	DIODE		
D1172	MA110TX	DIODE		
D1174	MA8120TX	DIODE		
D1179	MA8120TX	DIODE		
D1196	MA110TX	DIODE		
D1197	MA110TX	DIODE		
D1204	MA8120TX	DIODE		
D1209	MA8120TX	DIODE		
D1239	MA8056TX	DIODE		
D1261	MA110TX	DIODE		
D1350	MA8091TX	DIODE		
D1351	MA110TX	DIODE		
D1352	MA110TX	DIODE		
D1506	MA110TX	DIODE		
D1507	MA110TX	DIODE		
D1533	MA110TX	DIODE		
D1534	MA8056TX	DIODE		
D1617	MA110TX	DIODE		
D1624	MA8051MTX	DIODE		
D1636	MA110TX	DIODE		
D1657	MA8056TX	DIODE		
D1678	MA8200TX	DIODE		
D1679	MA110TX	DIODE		
D1683	MA110TX	DIODE		
D1702	MA110TX	DIODE		
D1706	MA110TX	DIODE		
D1707	MA110TX	DIODE		
D1709	MA110TX	DIODE		
D1724	MA110TX	DIODE		
D1726	MA110TX	DIODE		
D1772	MA8056TX	DIODE		
D1774	MA8056TX	DIODE		
D1777	MA8056TX	DIODE		
D1779	MA8056TX	DIODE		
D1793	MA110TX	DIODE		
D1794	MA110TX	DIODE		
D1941	MA8056TX	DIODE		
D1961	MA110TX	DIODE		
D1962	MA8091TX	DIODE		
D1963	MA110TX	DIODE		
D1966	MA110TX	DIODE		
D3126	MA110TX	DIODE		
D3127	MA110TX	DIODE		
D3133	MA110TX	DIODE		
D3138	MA110TX	DIODE		
D3352	MA110TX	DIODE		
D3353	MA110TX	DIODE		
D3356	MA110TX	DIODE		
D3357	MA110TX	DIODE		
D3358	MA110TX	DIODE		
D3368	MA110TX	DIODE		
D3373	MA110TX	DIODE		
D3374	MA110TX	DIODE		
D3377	MA110TX	DIODE		
D3383	MA110TX	DIODE		
D3384	MA110TX	DIODE		
D3387	MA110TX	DIODE		
D3393	MA110TX	DIODE		
D3394	MA110TX	DIODE		
D3397	MA110TX	DIODE		
D4501	BA582	DIODE		
D4502	BA582	DIODE		
D4507	BA582	DIODE		
D4711	BB515E7908	DIODE		
D4713	BB515E7908	DIODE		
D4812	BB512E7263	DIODE		
D4818	BA582	DIODE		
D4831	BB619E7908	DIODE		
D4832	BB619E7908	DIODE		
D4837	BA582	DIODE		
D4839	BA582	DIODE		
D6201	EU02	DIODE		

Ref No.	Part No.	Description
D6202	EU02	DIODE
D6301	LN81RPHL	DIODE
D6431	EU02	DIODE
D6432	EU02	DIODE
D6433	EU02	DIODE
D6434	EU02	DIODE
D6436	EU02	DIODE
D6437	EU02	DIODE
INTEGRATED CIRCUITS		
I474	TDA2030A	AUDIO AMP
I484	TDA2030A	AUDIO AMP
I561	TDA8175	VERTICAL O/P
I611	TDA4601	POWER SUPPLY
I666	TL431ACLP	VOLTAGE STABILISER
I676	TL431ACLP	VOLTAGE STABILISER
I691	AN78L05TA	5V REGULATOR
I1021	TEA6420	AUDIO SWITCH
I1101	TEA6415-A	LUMINANCE SWITCH
I1106	TEA6415-A	CHROMA SWITCH
I1301	ACP2371	AUDIO CONTROL PROCESSOR
I1501	DPU2553	DEFLECTION PROCESSING UNIT
I1601	SAD2140-09	S-VHS A TO D CONVERTER
I1621	SPU2243	SECAM PROCESSOR UNIT
I1631	ACVP2205	COMB FILTER/VIDEO PROCESSOR
I1651	MCU2600	MAIN CLOCK UNIT
I1661	DTI2223	DIGITAL TRANSIENT IMPROVE
I1671	VDU2146-07	VIDEO DISPLAY UNIT
I1761	MN8333	DIGITAL FEATURES UNIT
I1771	TPU2735	TELETEXT PROCESSING UNIT
I1786	MN41256AJ-08	DYNAMIC RAM
I1801	CCU3000-13	CENTRAL CONTROL UNIT
I1871	TC571000AD15	EPROM
I1941	X24C08-PR	EEPROM
I4502	TSA5514AT/C2	SIF TUNING
I4700	TDA3853T	IF VIDEO
I4800	TDA3857	IF AUDIO
COILS		
L201	ELER6R8KA	COIL
L202	ELER6R8KA	COIL
L203	ELER100KA	COIL
L204	ELER220KA	COIL
L479	5770206400	COIL
L489	5770206400	COIL
L521	ELER220KA	COIL
L538	297-020466	COIL
L541	ELH5L421	COIL
L542	ELC08D055	COIL
L581	ELER220KA	COIL
L594	297-017696	COIL
L618	2982-021762	COIL
L623	298-19711	COIL
L624	ELER2R2KA	CAPACITOR
L626	298-82858	COIL
L636	ELER4R7KA	COIL
L651	298-79726	TRANSISTOR
L686	EXCELSA35T	COIL
L687	EXCELSA35T	COIL
L1001	ELEV4R7KA	COIL
L1301	ELEV4R7KA	COIL
L1304	ELEV4R7KA	COIL
L1308	ELEV4R7KA	COIL
L1321	297-012549	COIL
L1321	297-12549	COIL
L1502	ELEV4R7KA	COIL
L1601	ELEV4R7KA	COIL
L1603	EXCELD35V	COIL
L1604	EXCEMT101BT	COIL
L1607	ELEMV1R5MA	COIL
L1609	ELEMV1R5MA	COIL
L1621	EXCELD35V	COIL
L1622	ELEV4R7KA	COIL
L1631	EXCELD35V	COIL
L1651	EXCELD35V	COIL
L1661	EXCELD35V	COIL
L1662	EXCELD35V	COIL
L1671	ELEV4R7KA	COIL

Ref No.	Part No.	Description
L1673	ELEV4R7KA	COIL
L1676	ELEV4R7KA	COIL
L1687	ELEV4R7KA	COIL
L1726	ELEV4R7KA	COIL
L1744	EXCEMT101BT	COIL
L1747	EXCEMT101BT	COIL
L1749	EXCEMT101BT	COIL
L1751	EXCELD35V	COIL
L1761	EXCELD35V	COIL
L1771	EXCELD35V	COIL
L1772	EXCEMT220BT	COIL
L1774	EXCEMT220BT	COIL
L1777	EXCEMT220BT	COIL
L1779	EXCEMT220BT	COIL
L1786	EXCELD35V	COIL
L1801	ELEV4R7KA	COIL
L1871	EXCELD35V	COIL
L1888	ELEV4R7KA	COIL
L1931	ELEV4R7KA	COIL
L1941	EXCELD35V	COIL
L1972	EXCELD35V	COIL
L1974	EXCELD35V	COIL
L1976	EXCELD35V	COIL
L3161	SDL-4101	COIL
L3171	SDL-4101	COIL
L3181	SDL-4101	COIL
L3361	ELC08D097	COIL
L4551	ELESN181KA	COIL
L4701	ELESNR33MA	COIL
L4712	EIV7EN168B	COIL
L4731	ELESN100KA	COIL
L4808	EIS7EN045B	COIL
L4812	EIS7EN045B	COIL
L4831	EIV7EN168B	COIL
L6403	ELEBT6R8KA	COIL
L6404	ELEBT6R8KA	COIL
TRANSISTORS		
Q496	2SC3311ATA	TRANSISTOR
Q498	2SC3311ATA	TRANSISTOR
Q526	2SC3944RLB	TRANSISTOR
Q534	S2000AFLBLOE	TRANSISTOR
Q583	2SC3311ATA	TRANSISTOR
Q585	2SA1309ATA	TRANSISTOR
Q587	2SA1309ATA	TRANSISTOR
Q593	2SC1318-S	TRANSISTOR
Q594	2SD1265A	TRANSISTOR
Q624	S2000AFLBLOE	TRANSISTOR
Q663	BUZ71AF	TRANSISTOR
Q674	BUZ71AF	TRANSISTOR
Q681	2SA1309ATA	TRANSISTOR
Q682	BC638	TRANSISTOR
Q697	2SA1309ATA	TRANSISTOR
Q1011	2SC3940TA-R	TRANSISTOR
Q1033	2SD601A-X	TRANSISTOR
Q1037	2SD601A-X	TRANSISTOR
Q1043	2SD601A-X	TRANSISTOR
Q1047	2SD601A-X	TRANSISTOR
Q1124	2SD601A-X	TRANSISTOR
Q1138	2SD601A-X	TRANSISTOR
Q1139	2SD601A-X	TRANSISTOR
Q1154	2SD601A-X	TRANSISTOR
Q1244	BC817-25	TRANSISTOR
Q1248	2SB709A-X	TRANSISTOR
Q1252	2SD601A-X	TRANSISTOR
Q1351	2SB709A-X	TRANSISTOR
Q1379	BC850B	TRANSISTOR
Q1389	BC850B	TRANSISTOR
Q1524	2SD601A-X	TRANSISTOR
Q1531	2SD601A-X	TRANSISTOR
Q1533	2SD601A-X	TRANSISTOR
Q1536	2SD601A-X	TRANSISTOR
Q1541	2SD601A-X	TRANSISTOR
Q1624	2SD601A-X	TRANSISTOR
Q1627	2SD601A-X	TRANSISTOR
Q1642	2SD601A-X	TRANSISTOR
Q1702	2SD601A-X	TRANSISTOR
Q1706	2SD601A-X	TRANSISTOR
Q1723	2SD601A-X	TRANSISTOR
Q1728	2SB709A-X	TRANSISTOR

Ref No.	Part No.	Description
Q1779	2SD601A-X	TRANSISTOR
Q1816	2SD601A-X	TRANSISTOR
Q1822	2SD601A-X	TRANSISTOR
Q1824	2SD601A-X	TRANSISTOR
Q1827	2SB709A-X	TRANSISTOR
Q1831	2SD601A-X	TRANSISTOR
Q1839	2SD601A-X	TRANSISTOR
Q1857	2SD601A-X	TRANSISTOR
Q1894	2SB709A-X	TRANSISTOR
Q1898	2SD601A-X	TRANSISTOR
Q1963	2SD601A-X	TRANSISTOR
Q1967	2SD601A-X	TRANSISTOR
Q3108	2SD601A-X	TRANSISTOR
Q3109	2SD601A-X	TRANSISTOR
Q3111	2SB709A-X	TRANSISTOR
Q3122	2SD601A-X	TRANSISTOR
Q3126	2SD601A-X	TRANSISTOR
Q3127	2SB709A-X	TRANSISTOR
Q3131	2SB940ALB	TRANSISTOR
Q3136	2SD1264ALB	TRANSISTOR
Q3143	2SD601A-X	TRANSISTOR
Q3162	2SB709A-X	TRANSISTOR
Q3164	2SD601A-X	TRANSISTOR
Q3166	2SB709A-X	TRANSISTOR
Q3169	2SB709A-X	TRANSISTOR
Q3172	2SB709A-X	TRANSISTOR
Q3174	2SD601A-X	TRANSISTOR
Q3176	2SB709A-X	TRANSISTOR
Q3179	2SB709A-X	TRANSISTOR
Q3182	2SB709A-X	TRANSISTOR
Q3184	2SD601A-X	TRANSISTOR
Q3186	2SB709A-X	TRANSISTOR
Q3189	2SB709A-X	TRANSISTOR
Q3357	2SB709A-X	TRANSISTOR
Q3359	2SD601A-X	TRANSISTOR
Q3368	2SB710A-XR	TRANSISTOR
Q3371	2SB709A-X	TRANSISTOR
Q3373	2SC4714RL2	TRANSISTOR
Q3374	2SC3063RL	TRANSISTOR
Q3377	2SA1698RL	TRANSISTOR
Q3381	2SB709A-X	TRANSISTOR
Q3383	2SC4714RL2	TRANSISTOR
Q3384	2SC3063RL	TRANSISTOR
Q3387	2SA1698RL	TRANSISTOR
Q3391	2SB709A-X	TRANSISTOR
Q3393	2SC4714RL2	TRANSISTOR
Q3394	2SC3063RL	TRANSISTOR
Q3397	2SA1698RL	TRANSISTOR
Q4721	BC847B	TRANSISTOR
Q4891	BC847B	TRANSISTOR
Q4892	BC857B	TRANSISTOR
Q4893	BC847B	TRANSISTOR
Q4894	BC847B	TRANSISTOR
RESISTORS		
R207	ERD25TJ223	CARBON 0.25W 5% 22KΩ
R208	ERO25CKF1000	FILM 0.25W 5% 100Ω Δ
R466	ERG3SJ471	FILM 3W 5% 470Ω
R468	ERG3SJ471	FILM 3W 5% 470Ω
R471	ERD25TJ471	CARBON 0.25W 5% 470Ω
R472	ERD25TJ104	CARBON 0.25W 5% 100KΩ
R473	ERD25TJ102	CARBON 0.25W 5% 1KΩ
R474	ERD25TJ683	CARBON 0.25W 5% 68KΩ
R477	ERD25TJ683	CARBON 0.25W 5% 68KΩ
R479	ERDS1TJ1R0	CARBON 0.5W 5% 1Ω
R481	ERD25TJ471	CARBON 0.25W 5% 470Ω
R482	ERD25TJ104	CARBON 0.25W 5% 100KΩ
R483	ERD25TJ102	CARBON 0.25W 5% 1KΩ
R484	ERD25TJ683	CARBON 0.25W 5% 68KΩ
R487	ERD25TJ683	CARBON 0.25W 5% 68KΩ
R488	ERD25TJ683	CARBON 0.25W 5% 68KΩ
R489	ERDS1TJ1R0	CARBON 0.5W 5% 1Ω
R491	ERQ14AJ100	METAL 0.25W 5% 10Ω Δ
R492	ERD25TJ102	CARBON 0.25W 5% 1KΩ
R496	ERD25TJ102	CARBON 0.25W 5% 1KΩ
R498	ERD25TJ102	CARBON 0.25W 5% 1KΩ
R521	ERQ14AJ3R3	METAL 0.25W 5% 3R3Ω Δ
R526	ERD25TJ560	CARBON 0.25W 5% 56Ω
R527	ERDS1TJ153	CARBON 0.5W 5% 15KΩ
R528	ERDS1TJ153	CARBON 0.5W 5% 15KΩ

Ref No.	Part No.	Description
R529	ERDS1TJ153	CARBON 0.5W 5% 15KΩ
R530	ERDS1TJ153	CARBON 0.5W 5% 15KΩ
R531	ERF10ZJ100	WIREWOUND 10W 5% 10Ω Δ
R532	ERW2PKR47	WIREWOUND 2W 10% 47Ω Δ
R533	ERDS1TJ220	CARBON 0.5W 5% 22Ω
R536	ERDS2TC0V	WIRE LINK
R537	ERDS2TC0V	WIRE LINK
R538	ERDS2TC0V	WIRE LINK
R539	ERDS2TC0V	WIRE LINK
R541	ERG1ANJ152	FILM 1W 5% 1K5Ω
R542	ERQ14AJ101	METAL 0.25W 5% 100Ω Δ
R547	ERQ12HJ4R7	METAL 0.5W 5% 4R7Ω Δ
R548	ERQ14AJ330	METAL 0.25W 5% 33Ω Δ
R549	ERO50PKF1403	FILM 0.5W 1% 140KΩ Δ
R557	ERQ12HJR22	FUSIBLE 0.5W 5% 0.22Ω Δ
R561	ERQ12HJ1R5	FUSIBLE 0.5W 5% 1.5Ω Δ
R563	ERD25TJ104	CARBON 0.25W 5% 100KΩ
R564	ERD25TJ223	CARBON 0.25W 5% 22KΩ
R566	ERO25CKF4701	FILM 0.25W 1% 4K7Ω Δ
R567	ERD25TJ472	CARBON 0.25W 5% 4K7Ω
R568	ERD25TJ1R5	CARBON 0.25W 5% 1R5Ω
R569	ERDS1TJ221	CARBON 0.5W 5% 220Ω
R570	ERG2SJ221	FILM 2W 5% 220Ω
R571	ERDS1TJ680	CARBON 0.5W 5% 68Ω
R573	ERO25CKF1801	FILM 0.25W 1% 180Ω Δ
R574	ERW12PTKR56C	WIREWOUND 0.5W 10% 0.56Ω Δ
R575	ERDS1TJ561	CARBON 0.5W 5% 560Ω
R576	ERO25CKF2202	FILM 0.25W 1% 22KΩ Δ
R577	ERO25CKF1302	FILM 0.25W 1% 13KΩ Δ
R578	ERO25CKF68R0	FILM 0.25W 1% 68Ω Δ
R579	ERO25CKF1002	METAL 0.25W 1% 10KΩ Δ
R583	ERO25CKF1000	FILM 0.25W 1% 100Ω Δ
R584	ERO25CKF2201	FILM 0.25W 1% 2K2Ω Δ
R585	ERD25TJ472	CARBON 0.25W 5% 4K7Ω
R586	ERO25CKF1002	METAL 0.25W 1% 10KΩ Δ
R587	ERO25CKF3901	METAL 0.25W 1% 3K9Ω Δ
R588	ERO25CKF8201	METAL 0.25W 1% 8K2Ω Δ
R589	ERO25CKF3302	FILM 0.25W 1% 33KΩ Δ
R591	ERO25CKF3301	FILM 0.25W 1% 3K3Ω Δ
R592	ERO25CKF1501	FILM 0.25W 1% 1K5Ω Δ
R593	ERO25CKF5601	FILM 0.25W 1% 5K6Ω Δ
R594	ERD25TJ102	CARBON 0.25W 5% 1KΩ
R597	ERD25TJ105	CARBON 0.25W 5% 1MΩ
R599	ERD25TJ472	CARBON 0.25W 5% 4K7Ω
R612	ERC12ZGK335D	SOLID 0.5W 10% 3M3Ω
R613	ERF7ZK1R0	WOUND 7W 10% 1Ω Δ
R621	ERG2ANJ472	METAL 2W 5% 4K7Ω
R623	ERX12SJR47	FILM 12W 5% 0.47Ω
R624	ERDS1TJ220	CARBON 0.5W 5% 22Ω
R625	ERG3ANJ682	METAL 3W 5% 6K8Ω
R626	ERD50TJ564	CARBON 0.5W 5% 560KΩ
R627	ERD50TJ564	CARBON 0.5W 5% 560KΩ
R628	ERD50TJ474	CARBON 0.5W 5% 470KΩ
R629	ERD25TJ682	CARBON 0.25W 5% 6K8Ω
R631	ERD25TJ221	CARBON 0.25W 5% 220Ω
R632	ERO25CKF1201	FILM 0.25W 1% 1K2Ω Δ
R633	ERO25CKF1202	FILM 0.25W 1% 1K2Ω Δ
R636	ERD25TJ103	CARBON 0.25W 5% 10KΩ
R651	ERDS1TJ104	CARBON 0.5W 5% 100KΩ
R667	ERD25TJ472	CARBON 0.25W 5% 4K7Ω
R668	ERO25CKF1802	FILM 0.25W 1% 18KΩ Δ
R669	ERO25CKF4701	FILM 0.25W 1% 4K7Ω Δ
R674	ERD25TJ223	CARBON 0.25W 5% 22KΩ
R676	ERD25TJ472	CARBON 0.25W 5% 4K7Ω
R677	ERO25CKF1002	METAL 0.25W 1% 10KΩ Δ
R678	ERO25CKF1002	METAL 0.25W 1% 10KΩ Δ
R679	ERDS1TJ474	CARBON 0.5W 5% 470KΩ
R681	ERDS1TJ3R3	CARBON 0.5W 5% 3R3Ω
R682	ERD25TJ330	CARBON 0.25W 5% 33Ω
R683	ERD25TJ471	CARBON 0.25W 5% 470Ω
R684	ERD25TJ103	CARBON 0.25W 5% 10KΩ
R686	NKS2	FUSABLE 0.25W 5% 0.1Ω
R687	NKS2	FUSABLE 0.25W 5% 0.1Ω
R691	ERQ14AJ330	METAL 0.25W 5% 33Ω Δ
R696	ERD25TJ473	CARBON 0.25W 5% 47KΩ
R697	ERD25TJ103	CARBON 0.25W 5% 10KΩ
R698	ERD25TJ102	CARBON 0.25W 5% 1KΩ
R1001	ERJ8GCY0R00	WIRE LINK
R1003	ERQ14AJ100	METAL 0.25W 5% 10Ω Δ
R1006	ERQ14AJ100	METAL 0.25W 5% 10Ω Δ
R1011	ERJ8GCYJ151	FILM 0.125W 5% 150Ω

Ref No.	Part No.	Description				
R1012	ERQ14AJ4R7	METAL	0.25W	5%	4R7Ω	Δ
R1016	ERJ8GCYJ101	FILM	0.125W	5%	100Ω	
R1017	ERJ8GCYJ101	FILM	0.125W	5%	100Ω	
R1021	ERQ14AJ101	METAL	0.25W	5%	100Ω	Δ
R1023	ERJ8GCY0R00	WIRE LINK				
R1027	ERJ8GCY0R00	WIRE LINK				
R1028	ERJ8GCY0R00	WIRE LINK				
R1030	ERJ8GCYJ153	FILM	0.125W	5%	15KΩ	
R1031	ERJ8GCYJ101	FILM	0.125W	5%	100Ω	
R1032	ERJ8GCYJ101	FILM	0.125W	5%	100Ω	
R1033	ERJ8GCYJ101	FILM	0.125W	5%	100Ω	
R1034	ERJ8GCYJ473	FILM	0.125W	5%	47KΩ	
R1035	ERJ8GCYJ153	FILM	0.125W	5%	15KΩ	
R1036	ERJ8GCYJ331	FILM	0.125W	5%	33Ω	
R1037	ERJ8GCYJ101	FILM	0.125W	5%	100Ω	
R1038	ERJ8GCYJ331	FILM	0.125W	5%	33Ω	
R1039	ERJ8GCYJ473	FILM	0.125W	5%	47KΩ	
R1040	ERJ8GCYJ153	FILM	0.125W	5%	15KΩ	
R1041	ERJ8GCYJ101	FILM	0.125W	5%	100Ω	
R1042	ERJ8GCYJ101	FILM	0.125W	5%	100Ω	
R1043	ERJ8GCYJ101	FILM	0.125W	5%	100Ω	
R1044	ERJ8GCYJ473	FILM	0.125W	5%	47KΩ	
R1045	ERJ8GCYJ153	FILM	0.125W	5%	15KΩ	
R1046	ERJ8GCYJ331	FILM	0.125W	5%	33Ω	
R1047	ERJ8GCYJ101	FILM	0.125W	5%	100Ω	
R1048	ERJ8GCYJ331	FILM	0.125W	5%	33Ω	
R1049	ERJ8GCYJ473	FILM	0.125W	5%	47KΩ	
R1050	ERJ8GCYJ153	FILM	0.125W	5%	15KΩ	
R1051	ERJ8GCYJ101	FILM	0.125W	5%	100Ω	
R1052	ERJ8GCYJ101	FILM	0.125W	5%	100Ω	
R1053	ERJ6GEYJ560	S. M. CARB	0.1W	5%	56Ω	
R1054	ERJ6GEYJ394	S. M. CARB	0.1W	5%	390KΩ	
R1055	ERJ8GCYJ153	FILM	0.125W	5%	15KΩ	
R1061	ERJ8GCYJ101	FILM	0.125W	5%	100Ω	
R1062	ERJ8GCYJ101	FILM	0.125W	5%	100Ω	
R1063	ERJ8GCYJ153	FILM	0.125W	5%	15KΩ	
R1064	ERJ8GCYJ153	FILM	0.125W	5%	15KΩ	
R1071	ERJ8GCYJ102	FILM	0.125W	5%	1KΩ	
R1072	ERJ8GCYJ102	FILM	0.125W	5%	1KΩ	
R1073	ERJ8GCYJ102	FILM	0.125W	5%	1KΩ	
R1074	ERJ8GCYJ102	FILM	0.125W	5%	1KΩ	
R1078	ERJ8GCYJ474	FILM	0.125W	5%	470KΩ	
R1081	ERJ8GCY0R00	WIRE LINK				
R1082	ERJ8GCY0R00	WIRE LINK				
R1086	ERJ8GCY0R00	WIRE LINK				
R1087	ERJ8GCY0R00	WIRE LINK				
R1106	ERJ8GCYJ101	FILM	0.125W	5%	100Ω	
R1108	ERJ8GCYJ223	FILM	0.125W	5%	22KΩ	
R1109	ERJ8GCYJ183	FILM	0.125W	5%	18KΩ	
R1111	ERJ8GCYJ750	FILM	0.125W	5%	75Ω	
R1112	ERJ8GCYJ470	FILM	0.125W	5%	47Ω	
R1113	ERJ8GCYJ223	FILM	0.125W	5%	22KΩ	
R1114	ERJ8GCYJ183	FILM	0.125W	5%	18KΩ	
R1121	ERJ8GCYJ750	FILM	0.125W	5%	75Ω	
R1122	ERJ8GCY0R00	WIRE LINK				
R1124	ERJ8GCYJ102	FILM	0.125W	5%	1KΩ	
R1126	ERJ8GCYJ680	FILM	0.125W	5%	68Ω	
R1127	ERJ8GCYJ103	FILM	0.125W	5%	10KΩ	
R1128	ERJ8GCYJ333	FILM	0.125W	5%	33KΩ	
R1131	ERJ8GCYJ103	FILM	0.125W	5%	10KΩ	
R1132	ERJ8GCYJ101	FILM	0.125W	5%	100Ω	
R1138	ERJ8GCYJ103	FILM	0.125W	5%	10KΩ	
R1139	ERJ8GCYJ103	FILM	0.125W	5%	10KΩ	
R1141	ERJ8GCYJ750	FILM	0.125W	5%	75Ω	
R1142	ERJ8GCYJ470	FILM	0.125W	5%	47Ω	
R1143	ERJ8GCYJ223	FILM	0.125W	5%	22KΩ	
R1144	ERJ8GCYJ183	FILM	0.125W	5%	18KΩ	
R1146	ERJ8GCYJ750	FILM	0.125W	5%	75Ω	
R1147	ERJ8GCYJ470	FILM	0.125W	5%	47Ω	
R1148	ERJ8GCYJ223	FILM	0.125W	5%	22KΩ	
R1149	ERJ8GCYJ183	FILM	0.125W	5%	18KΩ	
R1151	ERJ8GCYJ560	FILM	0.125W	5%	56Ω	
R1152	ERJ8GCYJ121	FILM	0.125W	5%	120Ω	
R1153	ERJ8GCYJ151	FILM	0.125W	5%	150Ω	
R1154	ERJ8GCYJ101	FILM	0.125W	5%	100Ω	
R1156	ERJ8GCYJ681	FILM	0.125W	5%	68Ω	
R1157	ERJ8GCYJ683	FILM	0.125W	5%	68KΩ	
R1158	ERJ8GCYJ153	FILM	0.125W	5%	15KΩ	
R1159	ERJ8GCYJ152	FILM	0.125W	5%	1K5Ω	
R1161	ERJ8GCYJ103	FILM	0.125W	5%	10KΩ	
R1162	ERJ8GCYJ103	FILM	0.125W	5%	10KΩ	
R1163	ERJ8GCYJ103	FILM	0.125W	5%	10KΩ	

Ref No.	Part No.	Description				
R1164	ERJ8GCYJ152	FILM	0.125W	5%	1K5Ω	
R1171	ERJ8GCYJ750	FILM	0.125W	5%	75Ω	
R1172	ERJ8GCYJ470	FILM	0.125W	5%	47Ω	
R1173	ERJ8GCYJ223	FILM	0.125W	5%	22KΩ	
R1174	ERJ8GCYJ183	FILM	0.125W	5%	18KΩ	
R1176	ERJ8GCYJ750	FILM	0.125W	5%	75Ω	
R1177	ERJ8GCYJ470	FILM	0.125W	5%	47Ω	
R1178	ERJ8GCYJ223	FILM	0.125W	5%	22KΩ	
R1179	ERJ8GCYJ183	FILM	0.125W	5%	18KΩ	
R1201	ERJ8GCYJ750	FILM	0.125W	5%	75Ω	
R1202	ERJ8GCYJ470	FILM	0.125W	5%	47Ω	
R1203	ERJ8GCYJ223	FILM	0.125W	5%	22KΩ	
R1204	ERJ8GCYJ183	FILM	0.125W	5%	18KΩ	
R1206	ERJ8GCYJ750	FILM	0.125W	5%	75Ω	
R1207	ERJ8GCYJ470	FILM	0.125W	5%	47Ω	
R1208	ERJ8GCYJ223	FILM	0.125W	5%	22KΩ	
R1209	ERJ8GCYJ183	FILM	0.125W	5%	18KΩ	
R1211	ERJ8GCY0R00	WIRE LINK				
R1212	ERJ8GCYJ223	FILM	0.125W	5%	22KΩ	
R1213	ERJ8GCYJ183	FILM	0.125W	5%	18KΩ	
R1216	ERJ8GCY0R00	WIRE LINK				
R1217	ERJ8GCYJ223	FILM	0.125W	5%	22KΩ	
R1218	ERJ8GCYJ183	FILM	0.125W	5%	18KΩ	
R1221	ERJ8GCY0R00	WIRE LINK				
R1222	ERJ8GCYJ223	FILM	0.125W	5%	22KΩ	
R1223	ERJ8GCYJ183	FILM	0.125W	5%	18KΩ	
R1227	ERJ8GCYJ470	FILM	0.125W	5%	47Ω	
R1228	ERJ8GCYJ223	FILM	0.125W	5%	22KΩ	
R1229	ERJ8GCYJ183	FILM	0.125W	5%	18KΩ	
R1239	ERJ8GCYJ152	FILM	0.125W	5%	1K5Ω	
R1241	ERJ8GCYJ750	FILM	0.125W	5%	75Ω	
R1243	ERJ8GCYJ680	FILM	0.125W	5%	68Ω	
R1244	ERJ8GCYJ470	FILM	0.125W	5%	47Ω	
R1245	ERJ8GCYJ391	FILM	0.125W	5%	390Ω	
R1246	ERJ8GCYJ271	FILM	0.125W	5%	270Ω	
R1247	ERJ8GCYJ223	FILM	0.125W	5%	22KΩ	
R1248	ERJ8GCYJ332	FILM	0.125W	5%	3K3Ω	
R1249	ERJ8GCYJ680	FILM	0.125W	5%	68Ω	
R1250	ERJ8GCYJ470	FILM	0.125W	5%	47Ω	
R1251	ERJ8GCYJ103	FILM	0.125W	5%	10KΩ	
R1252	ERJ8GCYJ122	FILM	0.125W	5%	1K2Ω	
R1253	ERJ8GCYJ101	FILM	0.125W	5%	100Ω	
R1254	ERJ8GCYJ101	FILM	0.125W	5%	100Ω	
R1256	ERJ8GCYJ101	FILM	0.125W	5%	100Ω	
R1305	ERJ8GCYJ102	FILM	0.125W	5%	1KΩ	
R1310	ERJ8GCYJ102	FILM	0.125W	5%	1KΩ	
R1311	ERJ8GCYJ472	FILM	0.125W	5%	4K7Ω	
R1312	ERJ8GCYJ101	FILM	0.125W	5%	100Ω	
R1314	ERJ8GCYJ472	FILM	0.125W	5%	4K7Ω	
R1315	ERJ8GCYJ102	FILM	0.125W	5%	1KΩ	
R1317	ERJ8GCYJ472	FILM	0.125W	5%	4K7Ω	
R1318	ERJ8GCYJ101	FILM	0.125W	5%	100Ω	
R1323	ERJ8GCYJ102	FILM	0.125W	5%	1KΩ	
R1324	ERJ8GCYJ102	FILM	0.125W	5%	1KΩ	
R1331	ERJ8GCY0R00	WIRE LINK				
R1343	ERJ8GCYJ683	FILM	0.125W	5%	68KΩ	
R1349	ERJ8GCYJ473	FILM	0.125W	5%	47KΩ	
R1350	ERJ8GCYJ223	FILM	0.125W	5%	22KΩ	
R1351	ERJ8GCYJ473	FILM	0.125W	5%	47KΩ	
R1353	ERJ8GCYJ473	FILM	0.125W	5%	47KΩ	
R1354	ERJ8GCYJ101	FILM	0.125W	5%	100Ω	
R1356	ERJ8GCYJ101	FILM	0.125W	5%	100Ω	
R1357	ERJ8GCYJ101	FILM	0.125W	5%	100Ω	
R1371	ERJ8GCYJ471	FILM	0.125W	5%	470Ω	
R1372	ERJ8GCYJ472	FILM	0.125W	5%	4K7Ω	
R1373	ERJ8GCYJ224	FILM	0.125W	5%	220KΩ	
R1374	ERJ8GCYJ224	FILM	0.125W	5%	220KΩ	
R1375	ERJ8GCYJ471	FILM	0.125W	5%	470Ω	
R1376	ERJ8GCYJ222	FILM	0.125W	5%	2K2Ω	
R1377	ERJ8GCYJ222	FILM	0.125W	5%	2K2Ω	
R1378	ERJ8GCYJ101	FILM	0.125W	5%	100Ω	
R1379	ERJ8GCYJ222	FILM	0.125W	5%	2K2Ω	
R1382	ERJ8GCYJ472	FILM	0.125W	5%	4K7Ω	
R1383	ERJ8GCYJ224	FILM	0.125W	5%	220KΩ	
R1384	ERJ8GCYJ224	FILM	0.125W	5%	220KΩ	
R1385	ERJ8GCYJ471	FILM	0.125W	5%	470Ω	
R1386	ERJ8GCYJ222	FILM	0.125W	5%	2K2Ω	
R1387	ERJ8GCYJ222	FILM	0.125W	5%	2K2Ω	
R1388	ERJ8GCYJ101	FILM	0.125W	5%	100Ω	
R1389	ERJ8GCYJ222	FILM	0.125W	5%	2K2Ω	
R1391	ERJ8GCYJ472	FILM	0.125W	5%	4K7Ω	
R1394	ERJ8GCY0R00	WIRE LINK				

Ref No.	Part No.	Description				
R1398	ERJ8GCY0R00	WIRE LINK				
R1504	ERJ8GCYJ102	FILM	0.125W	5%	1KΩ	
R1506	ERJ8GCYJ333	FILM	0.125W	5%	33KΩ	
R1507	ERJ8GCYJ123	FILM	0.125W	5%	12KΩ	
R1508	ERJ8GCYJ101	FILM	0.125W	5%	100Ω	
R1516	ERJ8GCYJ100	FILM	0.125W	5%	10Ω	
R1517	ERJ8GCYJ152	FILM	0.125W	5%	1K5Ω	
R1518	ERJ8GCYJ123	FILM	0.125W	5%	12KΩ	
R1521	ERJ8GCYJ123	FILM	0.125W	5%	12KΩ	
R1523	ERJ8GCYJ102	FILM	0.125W	5%	1KΩ	
R1524	ERJ8GCYJ472	FILM	0.125W	5%	4K7Ω	
R1526	ERJ8GCYJ101	FILM	0.125W	5%	100Ω	
R1527	ERJ8GCYJ103	FILM	0.125W	5%	10KΩ	
R1531	ERJ8GCYJ103	FILM	0.125W	5%	10KΩ	
R1532	ERJ8GCYJ101	FILM	0.125W	5%	100Ω	
R1533	ERJ8GCYJ222	FILM	0.125W	5%	2K2Ω	
R1534	ERJ8GCYJ222	FILM	0.125W	5%	2K2Ω	
R1535	ERJ8GCYJ820	FILM	0.125W	5%	82Ω	
R1537	ERJ8GCYJ151	FILM	0.125W	5%	150Ω	
R1538	ERJ8GCYJ560	FILM	0.125W	5%	56Ω	
R1541	ERJ8GCYJ103	FILM	0.125W	5%	10KΩ	
R1542	ERJ8GCYJ102	FILM	0.125W	5%	1KΩ	
R1544	ERJ8GCY0R00	WIRE LINK				
R1603	ERJ8GCYJ472	FILM	0.125W	5%	4K7Ω	
R1604	ERJ8GCYJ101	FILM	0.125W	5%	100Ω	
R1605	ERJ8GCY0R00	WIRE LINK				
R1609	ERJ8GCY0R00	WIRE LINK				
R1611	ERJ8GCYJ471	FILM	0.125W	5%	470Ω	
R1613	ERJ8GCYJ681	FILM	0.125W	5%	680Ω	
R1617	ERJ8GCYJ560	FILM	0.125W	5%	56Ω	
R1623	ERJ8GCYJ102	FILM	0.125W	5%	1KΩ	
R1624	ERJ8GCYJ100	FILM	0.125W	5%	10Ω	
R1626	ERJ8GCYJ151	FILM	0.125W	5%	150Ω	
R1627	ERJ8GCYJ100	FILM	0.125W	5%	10Ω	
R1628	ERJ8GCYJ151	FILM	0.125W	5%	150Ω	
R1629	ERJ8GCYJ820	FILM	0.125W	5%	82Ω	
R1630	ERJ8GCYJ680	FILM	0.125W	5%	68Ω	
R1632	ERJ8GCYJ151	FILM	0.125W	5%	150Ω	
R1633	ERJ8GCYJ821	FILM	0.125W	5%	820Ω	
R1634	ERJ8GCYJ104	FILM	0.125W	5%	100KΩ	
R1635	ERJ8GCYJ102	FILM	0.125W	5%	1KΩ	
R1636	ERJ8GCYJ332	FILM	0.125W	5%	3K3Ω	
R1637	ERJ8GCYJ471	FILM	0.125W	5%	470Ω	
R1638	ERJ8GCYJ471	FILM	0.125W	5%	470Ω	
R1641	ERJ8GCYJ333	FILM	0.125W	5%	33KΩ	
R1642	ERJ8GCYJ104	FILM	0.125W	5%	100KΩ	
R1643	ERJ8GCYJ470	FILM	0.125W	5%	47Ω	
R1646	ERJ8GCYJ472	FILM	0.125W	5%	4K7Ω	
R1648	ERJ8GCYJ472	FILM	0.125W	5%	4K7Ω	
R1657	ERJ8GCYJ102	FILM	0.125W	5%	1KΩ	
R1662	ERJ8GCYJ220	FILM	0.125W	5%	22Ω	
R1663	ERJ8GCYJ220	FILM	0.125W	5%	22Ω	
R1664	ERJ8GCYJ102	FILM	0.125W	5%	1KΩ	
R1665	ERJ8GCYJ220	FILM	0.125W	5%	22Ω	
R1675	ERJ8GCY0R00	WIRE LINK				
R1678	ERJ8GCYJ103	FILM	0.125W	5%	10KΩ	
R1683	ERJ8GCYJ331	FILM	0.125W	5%	330Ω	
R1684	ERJ8GCYJ680	FILM	0.125W	5%	68Ω	
R1685	ERJ8GCY0R00	WIRE LINK				
R1686	ERJ8GCYJ680	FILM	0.125W	5%	68Ω	
R1687	ERJ8GCYJ221	FILM	0.125W	5%	220Ω	
R1701	ERJ8GCYJ103	FILM	0.125W	5%	10KΩ	
R1702	ERJ8GCYJ472	FILM	0.125W	5%	4K7Ω	
R1706	ERJ8GCYJ104	FILM	0.125W	5%	100KΩ	
R1707	ERJ8GCYJ103	FILM	0.125W	5%	10KΩ	
R1708	ERJ8GCYJ104	FILM	0.125W	5%	100KΩ	
R1709	ERJ8GCYJ473	FILM	0.125W	5%	47KΩ	
R1722	ERJ8GCYJ103	FILM	0.125W	5%	10KΩ	
R1723	ERJ8GCYJ103	FILM	0.125W	5%	10KΩ	
R1724	ERJ8GCYJ153	FILM	0.125W	5%	15KΩ	
R1728	ERJ8GCYJ103	FILM	0.125W	5%	10KΩ	
R1729	ERJ8GCYJ101	FILM	0.125W	5%	100Ω	
R1731	ERJ8GCYJ101	FILM	0.125W	5%	100Ω	
R1764	ERJ8GCYJ102	FILM	0.125W	5%	1KΩ	
R1772	ERJ8GCYJ750	FILM	0.125W	5%	75Ω	
R1774	ERJ8GCYJ750	FILM	0.125W	5%	75Ω	
R1777	ERJ8GCYJ750	FILM	0.125W	5%	75Ω	
R1779	ERJ8GCYJ750	FILM	0.125W	5%	75Ω	
R1780	ERJ8GCYJ103	FILM	0.125W	5%	10KΩ	
R1781	ERJ8GCY0R00	WIRE LINK				
R1783	ERJ8GCYJ471	FILM	0.125W	5%	470Ω	
R1784	ERJ8GCYJ102	FILM	0.125W	5%	1KΩ	

Ref No.	Part No.	Description				
R1791	ERJ8GCYJ272	FILM	0.125W	5%	2K7Ω	
R1792	ERJ8GCYJ272	FILM	0.125W	5%	2K7Ω	
R1793	ERJ8GCYJ272	FILM	0.125W	5%	2K7Ω	
R1806	ERJ8GCYJ101	FILM	0.125W	5%	100Ω	
R1807	ERJ8GCYJ222	FILM	0.125W	5%	2K2Ω	
R1808	ERJ8GCYJ101	FILM	0.125W	5%	100Ω	
R1809	ERJ8GCYJ472	FILM	0.125W	5%	4K7Ω	
R1811	ERJ8GCYJ101	FILM	0.125W	5%	100Ω	
R1812	ERJ8GCYJ472	FILM	0.125W	5%	4K7Ω	
R1815	ERJ8GCYJ101	FILM	0.125W	5%	100Ω	
R1816	ERJ8GCYJ473	FILM	0.125W	5%	47KΩ	
R1821	ERJ8GCYJ102	FILM	0.125W	5%	1KΩ	
R1822	ERJ8GCYJ392	FILM	0.125W	5%	3K9Ω	
R1823	ERJ8GCYJ472	FILM	0.125W	5%	4K7Ω	
R1824	ERJ8GCYJ473	FILM	0.125W	5%	47KΩ	
R1825	ERJ8GCYJ101	FILM	0.125W	5%	100Ω	
R1826	ERJ8GCYJ563	FILM	0.125W	5%	56KΩ	
R1827	ERJ8GCTJ393V	FILM	0.125W	5%	39KΩ	
R1828	ERJ8GCYJ472	FILM	0.125W	5%	4K7Ω	
R1829	ERJ8GCYJ102	FILM	0.125W	5%	1KΩ	
R1831	ERJ8GCYJ392	FILM	0.125W	5%	3K9Ω	
R1832	ERJ8GCYJ472	FILM	0.125W	5%	4K7Ω	
R1834	ERJ8GCYJ472	FILM	0.125W	5%	4K7Ω	
R1835	ERJ8GCYJ103	FILM	0.125W	5%	10KΩ	
R1837	ERJ8GCYJ472	FILM	0.125W	5%	4K7Ω	
R1838	ERJ8GCYJ102	FILM	0.125W	5%	1KΩ	
R1839	ERJ8GCYJ472	FILM	0.125W	5%	4K7Ω	
R1841	ERJ8GCYJ101	FILM	0.125W	5%	100Ω	
R1842	ERJ8GCYJ472	FILM	0.125W	5%	4K7Ω	
R1843	ERJ8GCYJ101	FILM	0.125W	5%	100Ω	
R1844	ERJ8GCYJ472	FILM	0.125W	5%	4K7Ω	
R1846	ERJ8GCYJ101	FILM	0.125W	5%	100Ω	
R1847	ERJ8GCYJ472	FILM	0.125W	5%	4K7Ω	
R1849	ERJ8GCYJ472	FILM	0.125W	5%	4K7Ω	
R1850	ERJ8GCYJ471	FILM	0.125W	5%	470Ω	
R1857	ERJ8GCYJ683	FILM	0.125W	5%	68KΩ	
R1858	ERJ8GCYJ393	FILM	0.125W	5%	39KΩ	
R1859	ERJ8GCYJ102	FILM	0.125W	5%	1KΩ	
R1860	ERJ8GCYJ221	FILM	0.125W	5%	220Ω	
R1861	ERJ8GCYJ272	FILM	0.125W	5%	2K7Ω	
R1862	ERJ8GCYJ272	FILM	0.125W	5%	2K7Ω	
R1863	ERJ8GCYJ472	FILM	0.125W	5%	4K7Ω	
R1866	ERJ8GCYJ272	FILM	0.125W	5%	2K7Ω	
R1881	ERJ8GCYJ472	FILM	0.125W	5%	4K7Ω	
R1882	ERJ8GCYJ472	FILM	0.125W	5%	4K7Ω	
R1884	ERJ8GCYJ472	FILM	0.125W	5%	4K7Ω	
R1885	ERJ8GCYJ100	FILM	0.125W	5%	10Ω	
R1886	ERJ8GCYJ472	FILM	0.125W	5%	4K7Ω	
R1887	ERJ8GCYJ100	FILM	0.125W	5%	10Ω	
R1888	ERJ8GCYJ472	FILM	0.125W	5%	4K7Ω	
R1889	ERJ8GCYJ100	FILM	0.125W	5%	10Ω	
R1891	ERJ8GCYJ472	FILM	0.125W	5%	4K7Ω	
R1892	ERJ8GCYJ472	FILM	0.125W	5%	4K7Ω	
R1893	ERJ8GCYJ472	FILM	0.125W	5%	4K7Ω	
R1894	ERJ8GCYJ562	FILM	0.125W	5%	5K6Ω	
R1896	ERJ8GCYJ332	FILM	0.125W	5%	3K3Ω	
R1897	ERJ8GCYJ562	FILM	0.125W	5%	5K6Ω	
R1898	ERJ8GCYJ103	FILM	0.125W	5%	10KΩ	
R1899	ERJ8GCYJ101	FILM	0.125W	5%	100Ω	
R1906	ERJ8GCYJ472	FILM	0.125W	5%	4K7Ω	
R1921	ERJ8GCYJ472	FILM	0.125W	5%	4K7Ω	
R1922	ERJ8GCYJ331	FILM	0.125W	5%	330Ω	
R1923	ERJ8GCYJ222	FILM	0.125W	5%	2K2Ω	
R1925	ERJ8GCYJ331	FILM	0.125W	5%	330Ω	
R1941	ERJ8GCYJ100	FILM	0.125W	5%	10Ω	
R1961	ERJ8GCYJ332	FILM	0.125W	5%	3K3Ω	
R1962	ERJ8GCYJ102	FILM	0.125W	5%	1KΩ	
R1963	ERJ8GCYJ153	FILM	0.125W	5%	15KΩ	
R1964	ERJ8GCYJ103	FILM	0.125W	5%	10KΩ	
R1966	ERJ8GCYJ471	FILM	0.125W	5%	470Ω	
R1967	ERJ8GCYJ102	FILM	0.125W	5%	1KΩ	
R1968	ERJ8GCYJ470	FILM	0.125W	5%	47Ω	
R1969	ERJ8GCYJ102	FILM	0.125W	5%	1KΩ	
R3101	ERJ8GCYJ562	FILM	0.125W	5%	5K6Ω	
R3102	ERJ8GCYJ562	FILM	0.125W	5%	5K6Ω	
R3103	ERJ8GCYJ562	FILM	0.125W	5%	5K6Ω	
R3104	ERJ8GCYJ102	FILM	0.125W	5%	1KΩ	
R3106	ERJ8GCYJ563	FILM	0.125W	5%	56KΩ	
R3107	ERJ8GCYJ472	FILM	0.125W	5%	4K7Ω	
R3108	ERJ8GCYJ102	FILM	0.125W	5%	1KΩ	
R3109	ERJ8GCYJ101	FILM	0.125W	5%	100Ω	
R3111	ERJ8GCYJ222	FILM	0.125W	5%	2K2Ω	

Ref No.	Part No.	Description			
R3112	ERJ8GICYJ152	FILM	0.125W	5%	1K5Ω
R3113	ERJ8GICYJ152	FILM	0.125W	5%	1K5Ω
R3121	ERJ8GICYJ273	FILM	0.125W	5%	27KΩ
R3122	ERJ8GICYJ222	FILM	0.125W	5%	2K2Ω
R3123	ERJ8GICYJ471	FILM	0.125W	5%	470Ω
R3124	ERJ8GICYJ681	FILM	0.125W	5%	680Ω
R3126	ERJ8GICYJ122	FILM	0.125W	5%	1K2Ω
R3127	ERQ14AJ100	METAL	0.25W	5%	10Ω Δ
R3128	ERQ14AJ820	METAL	0.25W	5%	82Ω Δ
R3129	ERQ14AJ820	METAL	0.25W	5%	82Ω Δ
R3130	ERJ8GICYJ100	FILM	0.125W	5%	10Ω
R3131	ERD25TJ563	CARBON	0.25W	5%	56KΩ
R3132	ERD25TJ122	CARBON	0.25W	5%	1K2Ω
R3133	ERD25TJ2R7	CARBON	0.25W	5%	2R7Ω
R3134	ERDS1FYJ390	CARBON	0.5W	5%	39Ω Δ
R3135	ERJ8GICYJ100	FILM	0.125W	5%	10Ω
R3136	ERD25TJ563	CARBON	0.25W	5%	56KΩ
R3137	ERD25TJ122	CARBON	0.25W	5%	1K2Ω
R3138	ERD25TJ2R7	CARBON	0.25W	5%	2R7Ω
R3139	ERDS1FYJ390	CARBON	0.5W	5%	39Ω Δ
R3141	ERDS1FYJ101	CARBON	0.5W	5%	100Ω Δ
R3142	ERJ8GICYJ472	FILM	0.125W	5%	4K7Ω
R3143	ERJ8GICYJ222	FILM	0.125W	5%	2K2Ω
R3144	ERJ8GICYJ681	FILM	0.125W	5%	680Ω
R3146	ERDS1FYJ471	CARBON	0.5W	5%	470Ω Δ
R3151	ERQ14AJ3R9	FUSIBLE	0.25W	5%	3.9Ω Δ
R3152	ERQ12HJ102	METAL	0.5W	5%	1KΩ Δ
R3153	ERQ14AJ3R9	FUSIBLE	0.25W	5%	3.9Ω Δ
R3160	ERJ8GICYJ100	FILM	0.125W	5%	10Ω
R3161	ERJ8GICYJ102	FILM	0.125W	5%	1KΩ
R3162	ERJ8GICYJ102	FILM	0.125W	5%	1KΩ
R3163	ERJ8GICYJ332	FILM	0.125W	5%	3K3Ω
R3164	ERJ8GICYJ471	FILM	0.125W	5%	470Ω
R3166	ERJ8GICYJ471	FILM	0.125W	5%	470Ω
R3167	ERJ8GICYJ471	FILM	0.125W	5%	470Ω
R3168	ERJ8GICYJ102	FILM	0.125W	5%	1KΩ
R3169	ERJ8GICYJ102	FILM	0.125W	5%	1KΩ
R3170	ERJ8GICYJ100	FILM	0.125W	5%	10Ω
R3171	ERJ8GICYJ102	FILM	0.125W	5%	1KΩ
R3172	ERJ8GICYJ102	FILM	0.125W	5%	1KΩ
R3173	ERJ8GICYJ332	FILM	0.125W	5%	3K3Ω
R3174	ERJ8GICYJ471	FILM	0.125W	5%	470Ω
R3176	ERJ8GICYJ471	FILM	0.125W	5%	470Ω
R3177	ERJ8GICYJ471	FILM	0.125W	5%	470Ω
R3178	ERJ8GICYJ102	FILM	0.125W	5%	1KΩ
R3179	ERJ8GICYJ102	FILM	0.125W	5%	1KΩ
R3180	ERJ8GICYJ100	FILM	0.125W	5%	10Ω
R3181	ERJ8GICYJ102	FILM	0.125W	5%	1KΩ
R3182	ERJ8GICYJ102	FILM	0.125W	5%	1KΩ
R3183	ERJ8GICYJ332	FILM	0.125W	5%	3K3Ω
R3184	ERJ8GICYJ471	FILM	0.125W	5%	470Ω
R3186	ERJ8GICYJ471	FILM	0.125W	5%	470Ω
R3187	ERJ8GICYJ471	FILM	0.125W	5%	470Ω
R3188	ERJ8GICYJ102	FILM	0.125W	5%	1KΩ
R3189	ERJ8GICYJ102	FILM	0.125W	5%	1KΩ
R3307	ERJ8GICYJ101	FILM	0.125W	5%	100Ω
R3308	ERJ8GICYJ101	FILM	0.125W	5%	100Ω
R3309	ERJ8GICYJ101	FILM	0.125W	5%	100Ω
R3352	ERJ8GICYJ273	FILM	0.125W	5%	27KΩ
R3353	ERJ8GICYJ100	FILM	0.125W	5%	10Ω
R3356	ERJ8GICYJ103	FILM	0.125W	5%	10KΩ
R3358	ERJ8GICYJ100	FILM	0.125W	5%	10Ω
R3359	ERJ8GICYJ472	FILM	0.125W	5%	4K7Ω
R3365	ERJ8GICYJ220	FILM	0.125W	5%	22Ω
R3366	ERQ12HJ101	FUSIBLE	0.5W	5%	100Ω Δ
R3367	ERJ8GICYJ102	FILM	0.125W	5%	1KΩ
R3368	ERJ8GICYJ103	FILM	0.125W	5%	10KΩ
R3369	ERJ8GICYJ682	FILM	0.125W	5%	6K8Ω
R3370	ERJ8GICYJ100	FILM	0.125W	5%	10Ω
R3371	ERJ8GICYJ272	FILM	0.125W	5%	2K7Ω
R3372	ERJ8GICYJ392	FILM	0.125W	5%	3K9Ω
R3373	ERJ8GICYJ152	FILM	0.125W	5%	1K5Ω
R3374	ERDS1TJ104	CARBON	0.5W	5%	100KΩ
R3376	ERD25TJ561	CARBON	0.25W	5%	560Ω
R3377	ERJ8GICYJ272	FILM	0.125W	5%	2K7Ω
R3379	ERD25TJ103	CARBON	0.25W	5%	10KΩ
R3380	ERJ8GICYJ100	FILM	0.125W	5%	10Ω
R3381	ERJ8GICYJ272	FILM	0.125W	5%	2K7Ω
R3382	ERJ8GICYJ392	FILM	0.125W	5%	3K9Ω
R3383	ERJ8GICYJ152	FILM	0.125W	5%	1K5Ω
R3384	ERDS1TJ104	CARBON	0.5W	5%	100KΩ
R3386	ERD25TJ561	CARBON	0.25W	5%	560Ω

Ref No.	Part No.	Description			
R3387	ERJ8GICYJ562	FILM	0.125W	5%	5K6Ω
R3389	ERD25TJ103	CARBON	0.25W	5%	10KΩ
R3390	ERJ8GICYJ100	FILM	0.125W	5%	10Ω
R3391	ERJ8GICYJ272	FILM	0.125W	5%	2K7Ω
R3392	ERJ8GICYJ392	FILM	0.125W	5%	3K9Ω
R3393	ERJ8GICYJ152	FILM	0.125W	5%	1K5Ω
R3394	ERDS1TJ104	CARBON	0.5W	5%	100KΩ
R3396	ERD25TJ561	CARBON	0.25W	5%	560Ω
R3397	ERJ8GICYJ562	FILM	0.125W	5%	5K6Ω
R3399	ERD25TJ103	CARBON	0.25W	5%	10KΩ
R4501	ERJ8GICYJ331	FILM	0.125W	5%	330Ω
R4502	ERJ8GICYJ333	FILM	0.125W	5%	33KΩ
R4503	ERJ8GICYJ331	FILM	0.125W	5%	330Ω
R4504	ERJ8GICYJ333	FILM	0.125W	5%	33KΩ
R4506	ERJ8GICYJ333	FILM	0.125W	5%	33KΩ
R4507	ERJ6GMYJ472	S. M. CARB	0.1W	5%	4K7Ω
R4549	ERJ8GICY0R00	WIRE LINK			
R4552	ERJ8GICYJ100	FILM	0.125W	5%	10Ω
R4553	ERJ8GICYJ103	FILM	0.125W	5%	10KΩ
R4554	ERJ6GMY0R00	S. M. WIRE LINK			
R4555	ERJ6GMY0R00	S. M. WIRE LINK			
R4556	ERJ8GICYJ101	FILM	0.125W	5%	100Ω
R4557	ERJ6GMYJ333	S. M. CARB	0.1W	5%	33KΩ
R4558	ERJ8GICYJ103	FILM	0.125W	5%	10KΩ
R4560	ERJ8GICYJ563	FILM	0.125W	5%	56KΩ
R4709	ERJ8GICYJ223	FILM	0.125W	5%	22KΩ
R4711	ERJ8GICYJ224	FILM	0.125W	5%	220KΩ
R4721	ERJ6GMYJ222	S. M. CARB	0.1W	5%	2K2Ω
R4722	ERJ6GMYJ123	S. M. CARB	0.1W	5%	12KΩ
R4723	ERJ6GMYJ221	S. M. CARB	0.1W	5%	220Ω
R4724	ERJ6GMYJ680	S. M. CARB	0.1W	5%	68Ω
R4726	ERJ8GICYJ123	FILM	0.125W	5%	12KΩ
R4727	ERJ8GICYJ181	FILM	0.125W	5%	180Ω
R4733	ERJ6GMYJ103	S. M. CARB	0.1W	5%	10KΩ
R4808	ERJ6GMYJ471	S. M. CARB	0.1W	5%	470Ω
R4809	ERJ6GMYJ821	S. M. CARB	0.1W	5%	820Ω
R4812	ERJ8GICYJ104	FILM	0.125W	5%	100KΩ
R4813	ERJ8GICYJ104	FILM	0.125W	5%	100KΩ
R4814	ERJ6GMYJ222	S. M. CARB	0.1W	5%	2K2Ω
R4818	ERJ8GICYJ150	FILM	0.125W	5%	15Ω
R4823	ERJ6GMYJ103	S. M. CARB	0.1W	5%	10KΩ
R4837	ERJ8GICYJ103	FILM	0.125W	5%	10KΩ
R4839	ERJ8GICYJ103	FILM	0.125W	5%	10KΩ
R4841	ERJ8GICYJ561	FILM	0.125W	5%	560Ω
R4842	ERJ6GMYJ561	S. M. CARB	0.1W	5%	560Ω
R4843	ERJ6GMYJ821	S. M. CARB	0.1W	5%	820Ω
R4848	ERJ8GICY0R00	WIRE LINK			
R4879	ERJ8GICY0R00	WIRE LINK			
R4891	ERJ8GICYJ102	FILM	0.125W	5%	1KΩ
R4892	ERJ6GMYJ123	S. M. CARB	0.1W	5%	12KΩ
R4893	ERJ6GMYJ471	S. M. CARB	0.1W	5%	470Ω
R4894	ERJ6GMYJ471	S. M. CARB	0.1W	5%	470Ω
R4895	ERJ6GMYJ474	S. M. CARB	0.1W	5%	470KΩ
R4896	ERJ8GICYJ474	FILM	0.125W	5%	470KΩ
R6101	ERC12ZGK824	CARBON	0.5W	10%	820KΩ
R6102	232266296009	DIODE			
R6301	ERJ8GICYJ101	FILM	0.125W	5%	100Ω
R6302	ERJ8GICYJ102	FILM	0.125W	5%	1KΩ
R6303	ERJ8GICYJ103	FILM	0.125W	5%	10KΩ
R6311	ERJ8GICY0R00	WIRE LINK			
R6312	ERJ8GICY0R00	WIRE LINK			
R6313	ERJ8GICY0R00	WIRE LINK			
R6315	ERJ8GICY0R00	WIRE LINK			
R6316	ERJ8GICY0R00	WIRE LINK			
R6317	ERJ8GICY0R00	WIRE LINK			
R6318	ERJ8GICY0R00	WIRE LINK			
R6319	ERJ8GICY0R00	WIRE LINK			
R6320	ERJ8GICY0R00	WIRE LINK			
R6407	ERG2SJ471	FILM	2W	5%	470Ω
R6408	ERG2SJ471	FILM	2W	5%	470Ω
R6409	ERDS1TJ151	CARBON	0.5W	5%	150Ω
R6410	ERDS1TJ151	CARBON	0.5W	5%	150Ω
P633	EVND4AA00B53	155V ADJUST			5KΩ
P1227	EVND4AA00B12	VIDEO ADJUST			100Ω
P3362	RH0921D	SCREEN ADJUST			4K7Ω
P3368	EVN65UA00B24	CUTOFF			20KΩ
P4703	EVND4AA00B24	AGC ADJUST			20KΩ

SWITCHES

S570 EVQR4AL13 SWITCH

Ref No.	Part No.	Description
S6101	ESB99902V	SWITCH Δ
S6301	EVQPFC04R	SWITCH
S6302	EVQPFC04R	SWITCH
S6303	EVQPFC04R	SWITCH
S6304	EVQPFC04R	SWITCH
S6305	EVQPFC04R	SWITCH
S6306	EVQPFC04R	SWITCH
S6307	EVQPFC04R	SWITCH
S6308	EVQPFC04R	SWITCH
S6309	EVQPFC04R	SWITCH
TRANSFORMERS		
T528	5270103200	TRANSFORMER
T531	TLF15566F	FLYBACK TRANSFORMER Δ
T639	5451708900	TRANSFORMER Δ
CRYSTALS		
X1654	TSS4005-B	CRYSTAL
X1656	TSS4006-B	CRYSTAL
X1853	TSS4007-B	CRYSTAL
X4701	EFCS5M7MW3	FILTER
X4704	G3258	CRYSTAL
X4836	EFCS5R5MS5	FILTER
X4837	EFCS5R5MS5	FILTER
X4839	EFCS6R5MS5	FILTER
X4841	EFCS5R74MS5A	FILTER
SERVICE AIDS		
TZS2EK002	MEMORY PACK	
TZS2EK004	SERVICE REMOTE	
TZS2EK005	TOOL KIT	
TZS2EK022	SPRAKER PLUGS	
TZS2EK025	EXTENSION LEAD KIT	
TZS2EK029	PARTS KIT	

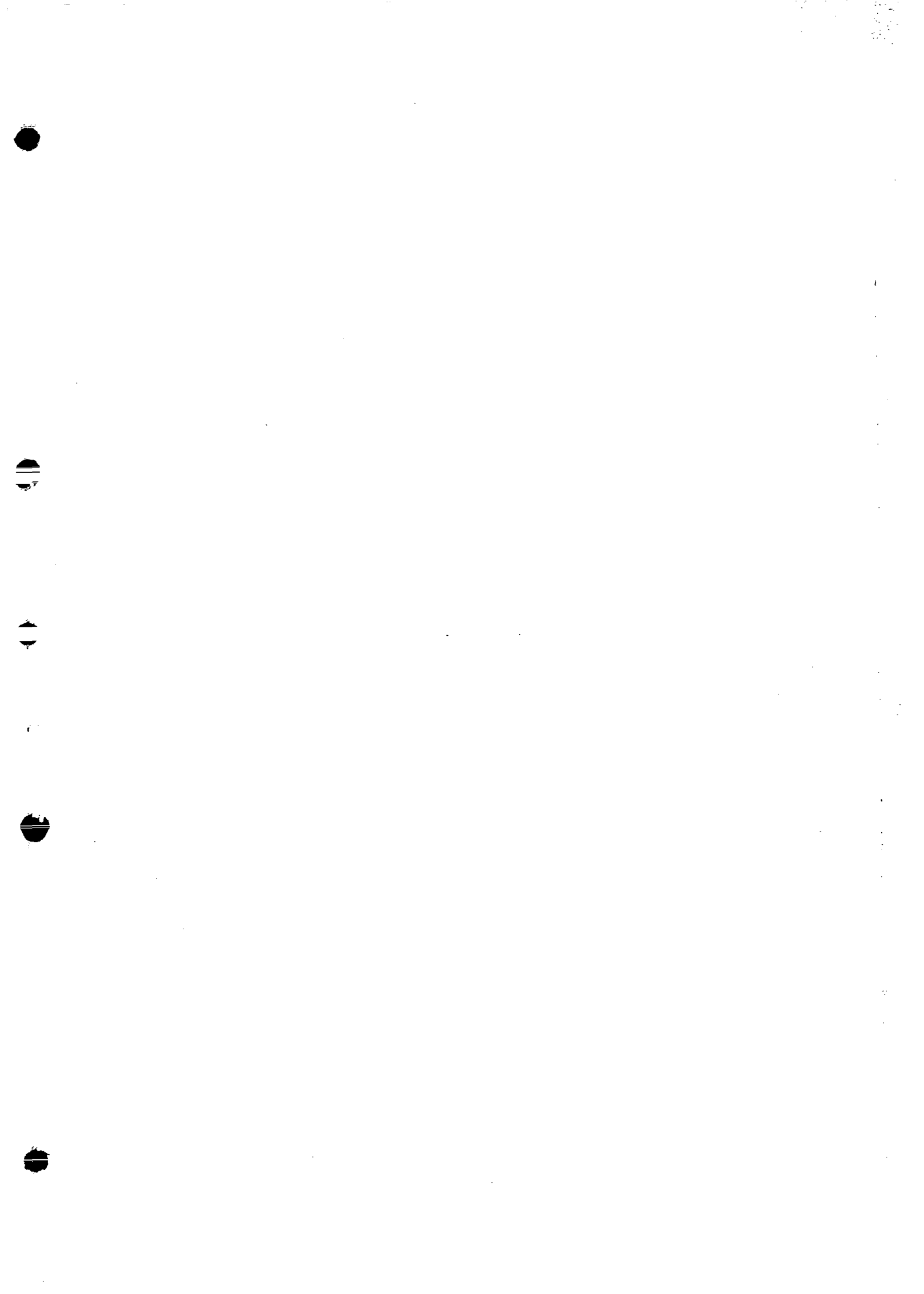
Ref No.	Part No.	Description
---------	----------	-------------

NOTES

A large rectangular area with a solid border and horizontal dashed lines, intended for writing notes. The area is mostly blank, with a few faint marks and a small scribble near the center.

NOTES

This section contains a large rectangular area for writing notes. It is bounded by a solid black line on the top, bottom, and left sides. The interior of this area is filled with horizontal dashed lines, providing a guide for writing. On the right side of the page, there are four circular binder holes, one near the top, one in the middle, and one near the bottom.



1519