

POWER SUPPLY - ALIMENTATION - NETZTEIL - ALIMENTAZIONE - ALIMENTACIÓN

(5) : standby

Note :
During measurements in the power supply unit
- Use the primary power unit ground (PGND).

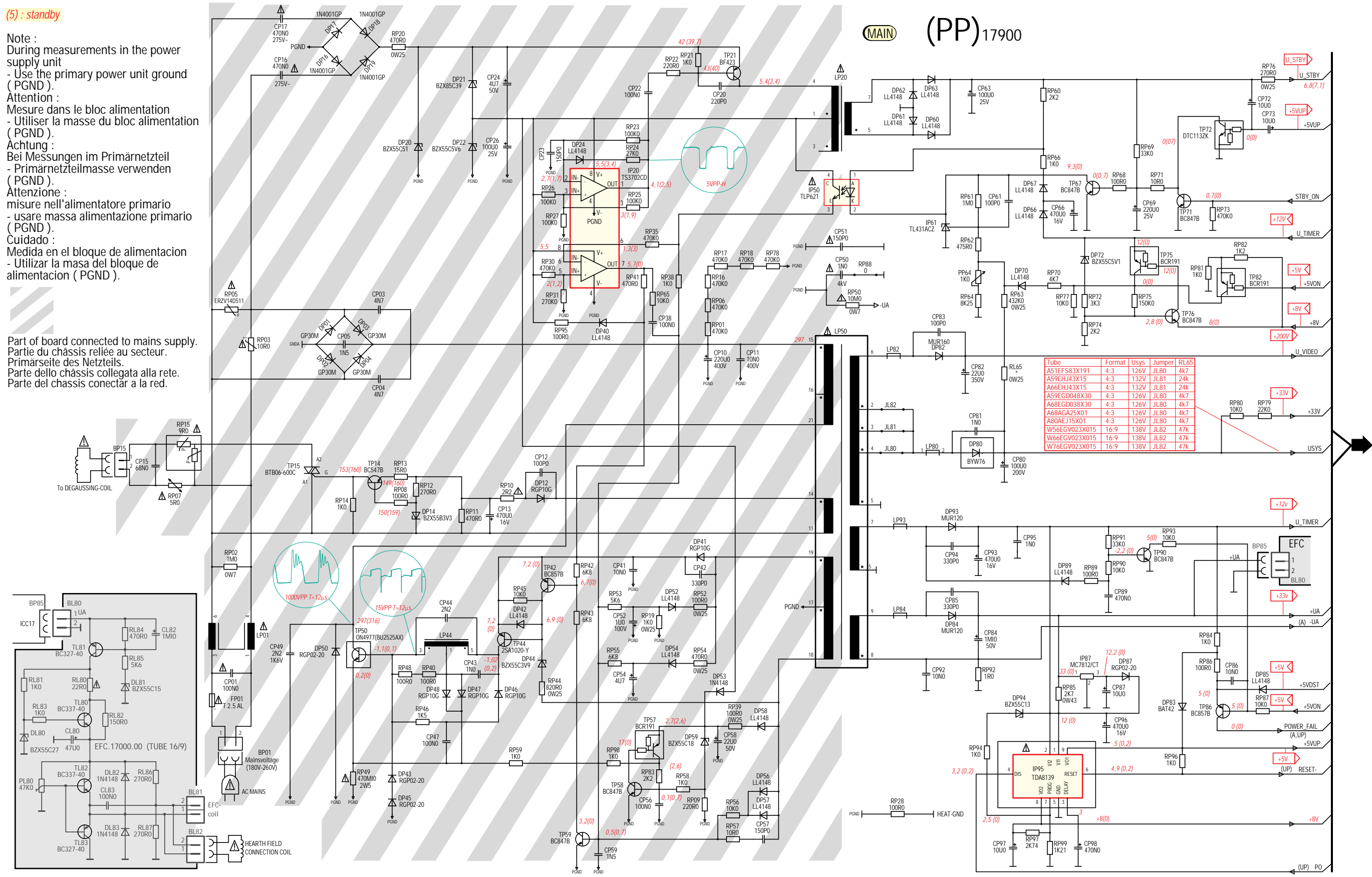
Attention :
Mesure dans le bloc alimentation
- Utiliser la masse du bloc alimentation (PGND).

Achtung :
Bei Messungen im Primärnetzteil
- Primärnetzteilmasse verwenden (PGND).

Attenzione :
misure nell'alimentatore primario
- usare massa alimentazione primario (PGND).

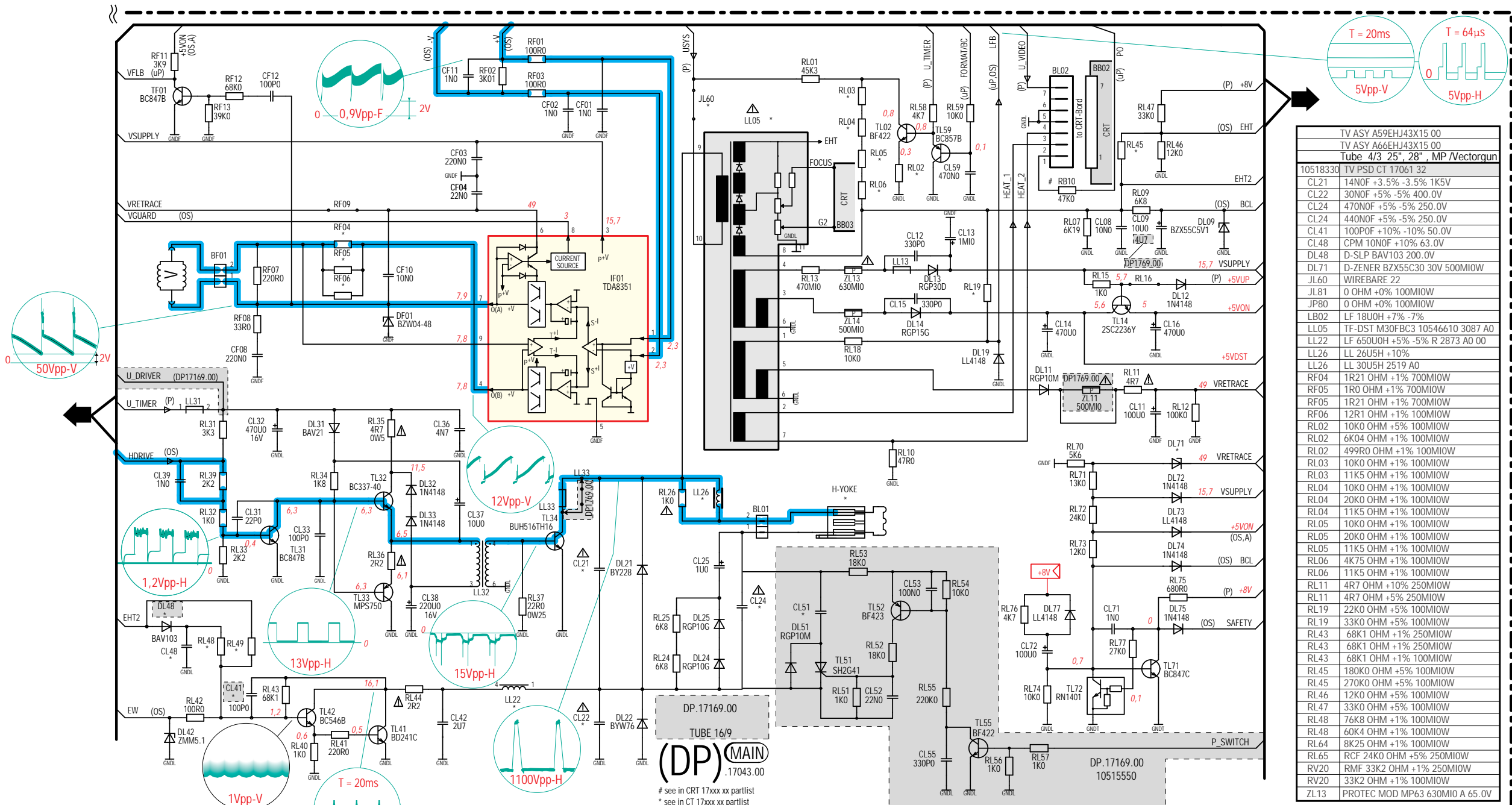
Cuidado :
Medida en el bloque de alimentación
- Utilizar la masa del bloque de alimentación (PGND).

Part of board connected to mains supply.
Partie du châssis reliée au secteur.
Primärseite des Netzteils.
Parte dello chassis collegata alla rete.
Parte del chassis conectar a la red.



⚠ Use isolating mains transformer - Utiliser un transformateur isolateur du secteur - Einen Trenntrafo verwenden
Utilizar un transformador aislador de red - Utilizzare un trasformatore per isolarvi dalla rete

SCANNING - BALAYAGE - ABLENKUNG - BARRIDO - SCANSIONE



TV ASY A59EHJ43X15 00	TV ASY A66EHJ43X15 00
Tube 4/3 25" 28", MP/Vectorgun	Tube 4/3 25" SF, 29" SF
10518330 TV PSD CT 17061 32	10515520 TV PSD CT 17071 26
CL21 14N0F +3.5% -3.5% 1K5V	CL21 16N2F +3.5% -3.5% 1K6V
CL22 30N0F +5% -5% 400.0V	CL22 30N0F +5% -5% 1K0V
CL24 470N0F +5% -5% 250.0V	CL24 440N0F +5% -5% 250.0V
CL24 440N0F +5% -5% 250.0V	CL24 510N0F +5% -5% 250.0V
CL41 100P0F +10% -10% 50.0V	CL41 100P0F +10% -10% 50.0V
CL48 CPM 10N0F +10% 63.0V	CL48 10N0F +10% 63.0V
DL48 D-SLP BAV103 200.0V	DL48 D-SLP BAV103 200.0V
DL71 D-ZENER BZX55C30 30V 500MIOV	DL71 D-ZENER BZX55C30 30V 500MIOV
JL60 WIREBARE 22	JL60 WIREBARE 22
JL81 0 OHM +0% 100MIOV	JL80 0 OHM +0% 100MIOV
JP80 0 OHM +0% 100MIOV	LBO2 LF 18U0H +7% -7%
LBO2 LF 18U0H +7% -7%	LL05 TF-DST M30FBC3 10546610 3087 A0
LL05 TF-DST M30FBC3 10546610 3087 A0	LL22 LF 650U0H +5% -5% R 2873 A0 00
LL22 LF 650U0H +5% -5% R 2873 A0 00	LL26 LL 26U5H +10%
LL26 LL 26U5H +10%	LL26 LL 30U5H 2519 A0
LL26 LL 30U5H 2519 A0	RF04 1R21 OHM +1% 700MIOV
RF04 1R21 OHM +1% 700MIOV	RF05 1R0 OHM +1% 700MIOV
RF05 1R0 OHM +1% 700MIOV	RF05 1R21 OHM +1% 700MIOV
RF05 1R21 OHM +1% 700MIOV	RF06 1R21 OHM +1% 700MIOV
RF06 1R21 OHM +1% 700MIOV	RL02 10K0 OHM +5% 100MIOV
RL02 10K0 OHM +5% 100MIOV	RL02 6K04 OHM +1% 100MIOV
RL02 6K04 OHM +1% 100MIOV	RL02 499R0 OHM +1% 100MIOV
RL02 499R0 OHM +1% 100MIOV	RL03 10K0 OHM +1% 100MIOV
RL03 10K0 OHM +1% 100MIOV	RL03 11K5 OHM +1% 100MIOV
RL03 11K5 OHM +1% 100MIOV	RL04 10K0 OHM +1% 100MIOV
RL04 10K0 OHM +1% 100MIOV	RL04 20K0 OHM +1% 100MIOV
RL04 20K0 OHM +1% 100MIOV	RL04 11K5 OHM +1% 100MIOV
RL04 11K5 OHM +1% 100MIOV	RL05 10K0 OHM +1% 100MIOV
RL05 10K0 OHM +1% 100MIOV	RL05 20K0 OHM +1% 100MIOV
RL05 20K0 OHM +1% 100MIOV	RL05 11K5 OHM +1% 100MIOV
RL05 11K5 OHM +1% 100MIOV	RL06 4K75 OHM +1% 100MIOV
RL06 4K75 OHM +1% 100MIOV	RL06 11K5 OHM +1% 100MIOV
RL06 11K5 OHM +1% 100MIOV	RL11 4R7 OHM +10% 250MIOV
RL11 4R7 OHM +10% 250MIOV	RL11 4R7 OHM +5% 250MIOV
RL11 4R7 OHM +5% 250MIOV	RL19 22K0 OHM +5% 100MIOV
RL19 22K0 OHM +5% 100MIOV	RL19 33K0 OHM +5% 100MIOV
RL19 33K0 OHM +5% 100MIOV	RL43 68K1 OHM +1% 250MIOV
RL43 68K1 OHM +1% 250MIOV	RL43 68K1 OHM +1% 250MIOV
RL43 68K1 OHM +1% 250MIOV	RL45 180K0 OHM +5% 100MIOV
RL45 180K0 OHM +5% 100MIOV	RL45 270K0 OHM +5% 100MIOV
RL45 270K0 OHM +5% 100MIOV	RL46 12K0 OHM +5% 100MIOV
RL46 12K0 OHM +5% 100MIOV	RL47 33K0 OHM +5% 100MIOV
RL47 33K0 OHM +5% 100MIOV	RL48 76K8 OHM +1% 100MIOV
RL48 76K8 OHM +1% 100MIOV	RL48 60K4 OHM +1% 100MIOV
RL48 60K4 OHM +1% 100MIOV	RL64 8K25 OHM +1% 100MIOV
RL64 8K25 OHM +1% 100MIOV	RL65 RCF 24K0 OHM +5% 250MIOV
RL65 RCF 24K0 OHM +5% 250MIOV	RV20 RMF 33K2 OHM +1% 250MIOV
RV20 RMF 33K2 OHM +1% 250MIOV	RV20 33K2 OHM +1% 100MIOV
RV20 33K2 OHM +1% 100MIOV	ZL13 PROTEC MOD MP63 630MIO A 65.0V

△ Indicates critical safety components, and identical components should be used for replacement. Only then can the operational safety be guaranteed.

Le remplacement des éléments de sécurité (repérés avec le symbole △) par des composants non homologués selon la Norme CEI 65 entraine la non-conformité de l'appareil. Dans ce cas, la responsabilité du fabricant n'est plus engagée.

Wenn Sicherheitsteile (mit dem Symbol △ gekennzeichnet) durch nicht normgerechte Teile ersetzt werden, erlischt die Haftung des Herstellers.

La sostituzione degli elementi di sicurezza (contrassegnati con il segno △) con componenti non omologati secondo la norma CEI 65 comporta la non conformità dell'apparecchio. In tal caso è "esclusa la responsabilità" del costruttore.

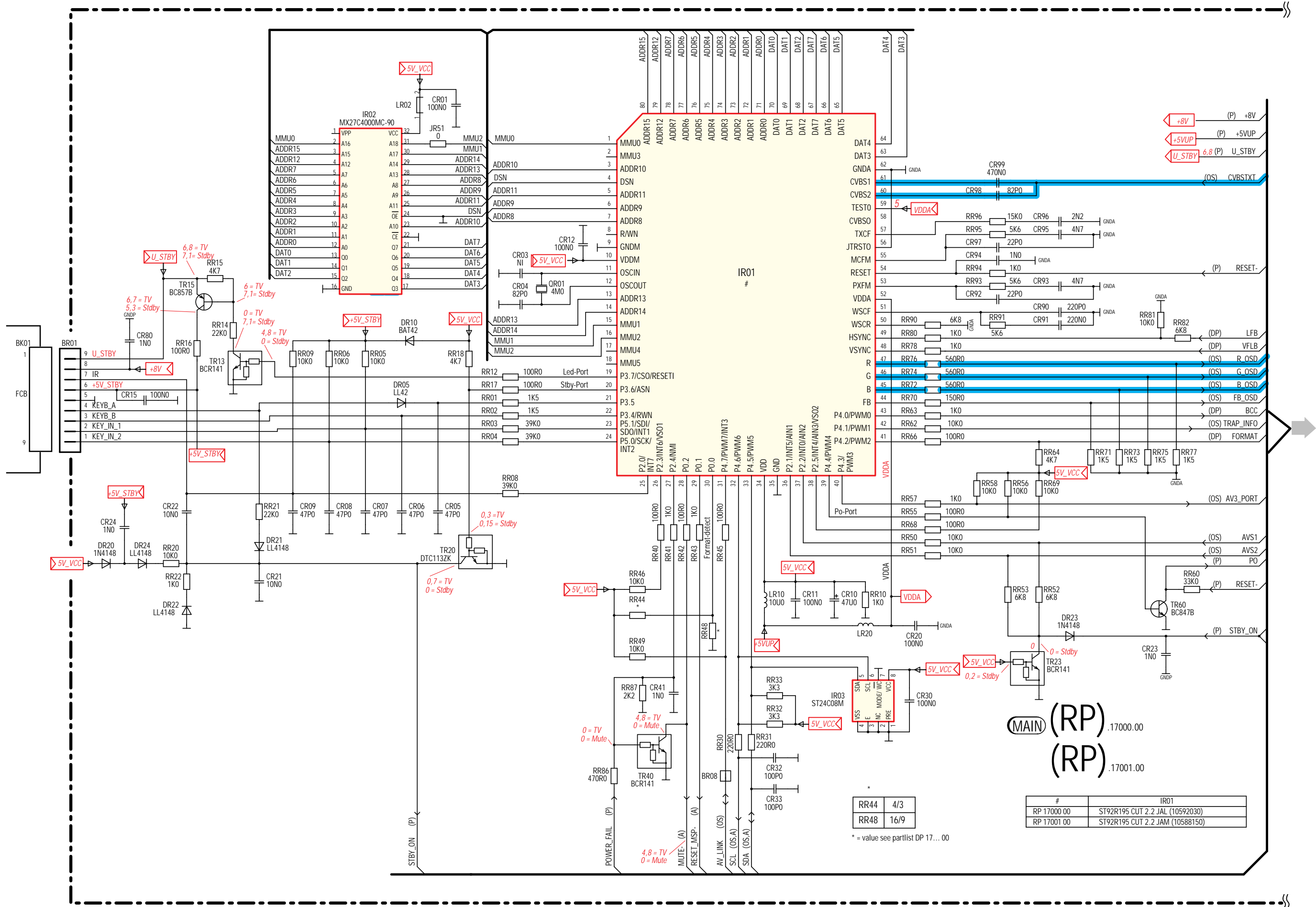
La substitución de elementos de seguridad (marcados con el simbolo △) por componentes no homologados segun la norma CEI 65, provoca la no conformidad del aparato. En ese caso, el fabricante cesa de ser responsable.

TV ASY A80AEJ15X01 (A) 00	TV ASY A51EFS83X191 03
Tube 4/3 33" MP	Tube 4/3 21" OT
10575830 TV PSD CT 17062 26	10555770 TV PSD CT 17035 26
CL21 16N2F +3.5% -3.5% 1K6V	CL21 8N3F +3.5% -3.5% 1K6V
CL22 30N0F +5% -5% 400.0V	CL22 33N0F +5% -5% 1K0V
CL24 560N0F +5% -5% 250.0V	CL24 440N0F +5% -5% 250.0V
CL41 100P0F +10% -10% 50.0V	CL41 1N0F +10% -10% 50.0V
CL48 10N0F +10% 63.0V	DL71 D-ZENER BZX55C24 24V 500MIOV
DL48 D-SLP BAV103 200.0V	JL60 WIREBARE 22
DL71 D-ZENER BZX55C30 30V 500MIOV	JL80 0 OHM +0% 100MIOV
JL60 WIREBARE 22	LBO2 LF 18U0H +7% -7%
JL80 0 OHM +0% 100MIOV	LL05 TF-DST M30FBC3 10555640 3087 A0
LBO2 LF 18U0H +7% -7%	LL22 LF 650U0H +5% -5% R 2873 A0 00
LL05 TF-DST M30FBC3 10555640 3087 A0	LL26 LL 85U0H 2519 A0
LL22 LF 650U0H +5% -5% R 2873 A0 00	RF05 1R5 OHM +1% 700MIOV
LL26 LL 85U0H 2519 A0	RF06 10R0 OHM +1% 100MIOV
RF05 1R5 OHM +1% 700MIOV	RL02 6K04 OHM +1% 100MIOV
RF06 10R0 OHM +1% 100MIOV	RL03 10K0 OHM +1% 100MIOV
RL02 6K04 OHM +1% 100MIOV	RL04 10K0 OHM +1% 100MIOV
RL03 10K0 OHM +1% 100MIOV	RL05 10K0 OHM +1% 100MIOV
RL04 10K0 OHM +1% 100MIOV	RL06 3K32 OHM +1% 100MIOV
RL05 10K0 OHM +1% 100MIOV	RL45 110K0 OHM +5% 100MIOV
RL06 3K32 OHM +1% 100MIOV	RL49 60K4 OHM +1% 100MIOV
RL45 110K0 OHM +5% 100MIOV	RL65 4K7 OHM +5% 250MIOV
RL49 60K4 OHM +1% 100MIOV	RV20 23K7 OHM +1% 250MIOV
RL65 4K7 OHM +5% 250MIOV	
RV20 23K7 OHM +1% 250MIOV	

TV ASY A59EGD048X30 19	TV ASY A68EGD038X30 (A) 68 00
Tube 4/3 25" SF, 29" SF	Tube 4/3 25" SF, 29" SF
10515520 TV PSD CT 17071 26	10515520 TV PSD CT 17071 26
CL21 16N2F +3.5% -3.5% 1K6V	CL21 16N2F +3.5% -3.5% 1K6V
CL22 30N0F +5% -5% 400.0V	CL22 30N0F +5% -5% 400.0V
CL24 510N0F +5% -5% 250.0V	CL24 510N0F +5% -5% 250.0V
CL41 100P0F +10% -10% 50.0V	CL41 100P0F +10% -10% 50.0V
CL48 10N0F +10% 63.0V	DL48 D-SLP BAV103 200.0V
DL48 D-SLP BAV103 200.0V	DL71 D-ZENER BZX55C30 30V 500MIOV
DL71 D-ZENER BZX55C30 30V 500MIOV	JL60 WIREBARE 22
JL60 WIREBARE 22	JL80 0 OHM +0% 100MIOV
JL80 0 OHM +0% 100MIOV	LBO2 LF 32U0H +4% -4%
LBO2 LF 32U0H +4% -4%	LL05 TF-DST TDS29 TBD 13
LL05 TF-DST TDS29 TBD 13	LL22 LF 650U0H +5% -5%
LL22 LF 650U0H +5% -5%	LL26 LL 26U5H +10%
LL26 LL 26U5H +10%	RF05 RMF 1R0 OHM +1% 700MIOV
RF05 RMF 1R0 OHM +1% 700MIOV	RL02 6K8 OHM +5% 100MIOV
RL02 6K8 OHM +5% 100MIOV	RL03 4K75 OHM +1% 100MIOV
RL03 4K75 OHM +1% 100MIOV	RL04 4K75 OHM +1% 100MIOV
RL04 4K75 OHM +1% 100MIOV	RL05 4K75 OHM +1% 100MIOV
RL05 4K75 OHM +1% 100MIOV	RL06 4K75 OHM +1% 100MIOV
RL06 4K75 OHM +1% 100MIOV	RL19 15K0 OHM +5% 100MIOV
RL19 15K0 OHM +5% 100MIOV	RL45 180K0 OHM +5% 100MIOV
RL45 180K0 OHM +5% 100MIOV	RL48 100K0 OHM +5% 100MIOV
RL48 100K0 OHM +5% 100MIOV	RL49 300K0 OHM +5% 100MIOV
RL49 300K0 OHM +5% 100MIOV	RL65 4K7 OHM +5% 250MIOV
RL65 4K7 OHM +5% 250MIOV	RV20 33K2 OHM +1% 250MIOV
RV20 33K2 OHM +1% 250MIOV	

TV ASY W56EGV023X015 56 01	TV ASY W66EGV023X015 66 00
TV ASY W76EGV023X015 (A) 00	TV ASY W76EGV023X015 (A) 00
Tube 16/9 24", 28", 32", SF / vectorgun	Tube 16/9 24", 28", 32", SF / vectorgun
10515530 TV PSD CT 17083 38	10515530 TV PSD CT 17083 38
CL21 15N5F +3.5% -3.5% 1K6V	CL21 15N5F +3.5% -3.5% 1K6V
CL22 27N0F +5% -5% 400.0V	CL22 27N0F +5% -5% 400.0V
CL24 440N0F +5% -5% 250.0V	CL24 440N0F +5% -5% 250.0V
CL41 100P0F +10% -10% 50.0V	CL41 100P0F +10% -10% 50.0V
CL48 100N0F +10% 63.0V	CL48 100N0F +10% 63.0V
DL48 D-SLP BAV103 200.0V	DL48 D-SLP BAV103 200.0V
DL71 D-ZENER BZX55C24 24V 500MIOV	DL71 D-ZENER BZX55C24 24V 500MIOV
JL60 WIREBARE 22	JL60 WIREBARE 22
JL82 0 OHM +0% 100MIOV	JL82 0 OHM +0% 100MIOV
LBO2 LF 32U0H +4% -4%	LL05 TF-DST TDS29 15314460 10
LL05 TF-DST TDS29 15314460 10	LL22 LF 650U0H +5% -5%
LL22 LF 650U0H +5% -5%	LL26 LL 30U5H 2519 A0
LL26 LL 30U5H 2519 A0	RF05 1R21 OHM +1% 700MIOV
RF05 1R21 OHM +1% 700MIOV	RL02 4K99 OHM +1% 100MIOV
RL02 4K99 OHM +1% 100MIOV	RL03 6K49 OHM +1% 100MIOV
RL03 6K49 OHM +1% 100MIOV	RL04 6K49 OHM +1% 100MIOV
RL04 6K49 OHM +1% 100MIOV	RL05 6K49 OHM +1% 100MIOV
RL05 6K49 OHM +1% 100MIOV	RL06 2K37 OHM +1% 100MIOV
RL06 2K37 OHM +1% 100MIOV	RL19 13K0 OHM +5% 100MIOV
RL19 13K0 OHM +5% 100MIOV	RL45 390K0 OHM +5% 100MIOV
RL45 390K0 OHM +5% 100MIOV	RL48 220K0 OHM +5% 100MIOV
RL48 220K0 OHM +5% 100MIOV	RL49 180K0 OHM +5% 100MIOV
RL49 180K0 OHM +5% 100MIOV	RL65 47K0 OHM +5% 250MIOV
RL65 47K0 OHM +5% 250MIOV	RV20 100K0 OHM +1% 250MIOV
RV20 100K0 OHM +1% 250MIOV	

CONTROL MICROPROCESSOR - MICROPROCESSEUR DE COMMANDE - MIKROPROZESSOR - MICROPROCESSORE DEI COMANDI - MICROPROCESADOR DE LOS MANDOS



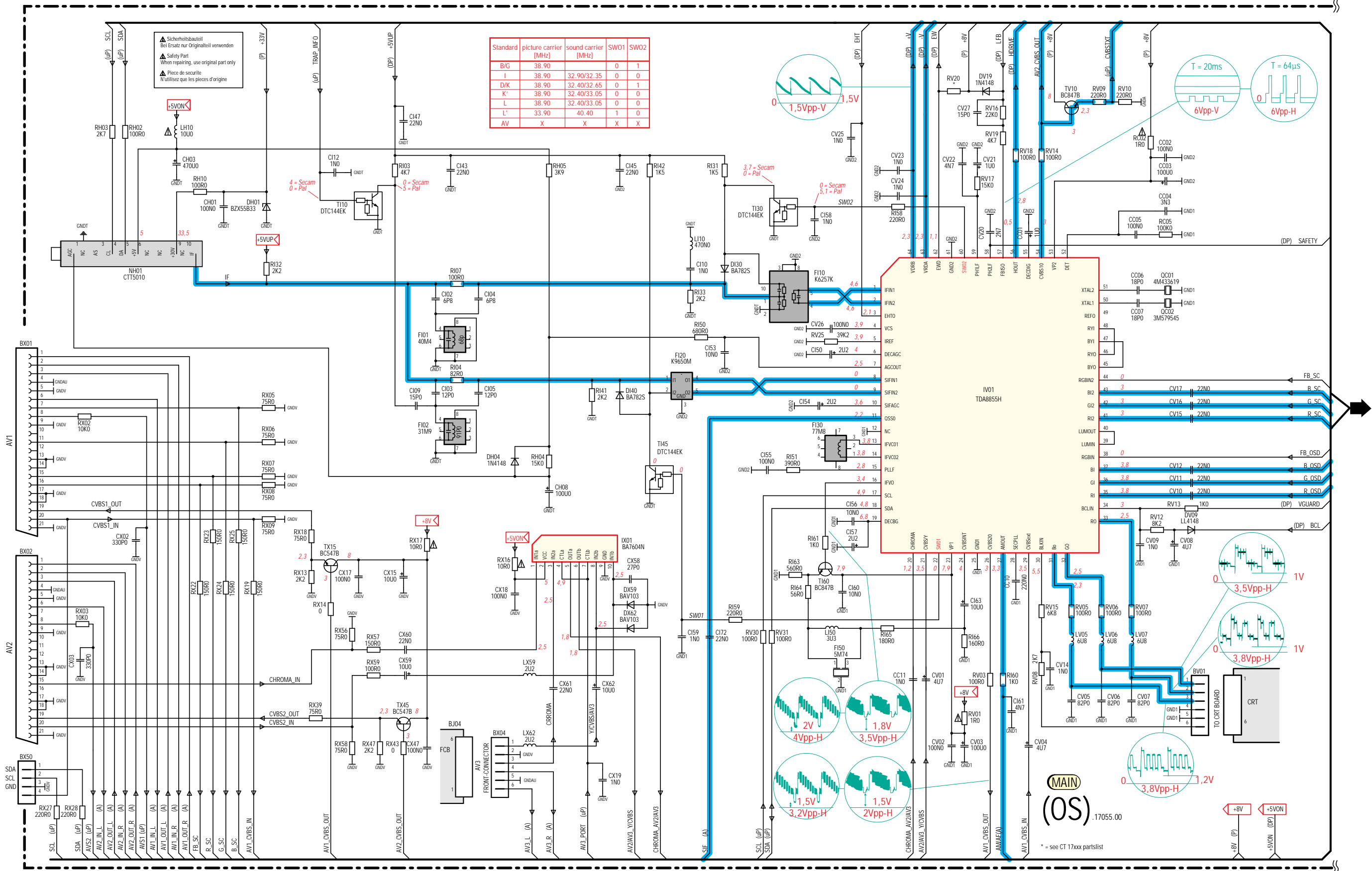
MAIN (RP) .17000.00
(RP) .17001.00

#	IR01
RP 17000 00	ST92R195 CUT 2.2 JAL (10592030)
RP 17001 00	ST92R195 CUT 2.2 JAM (10588150)

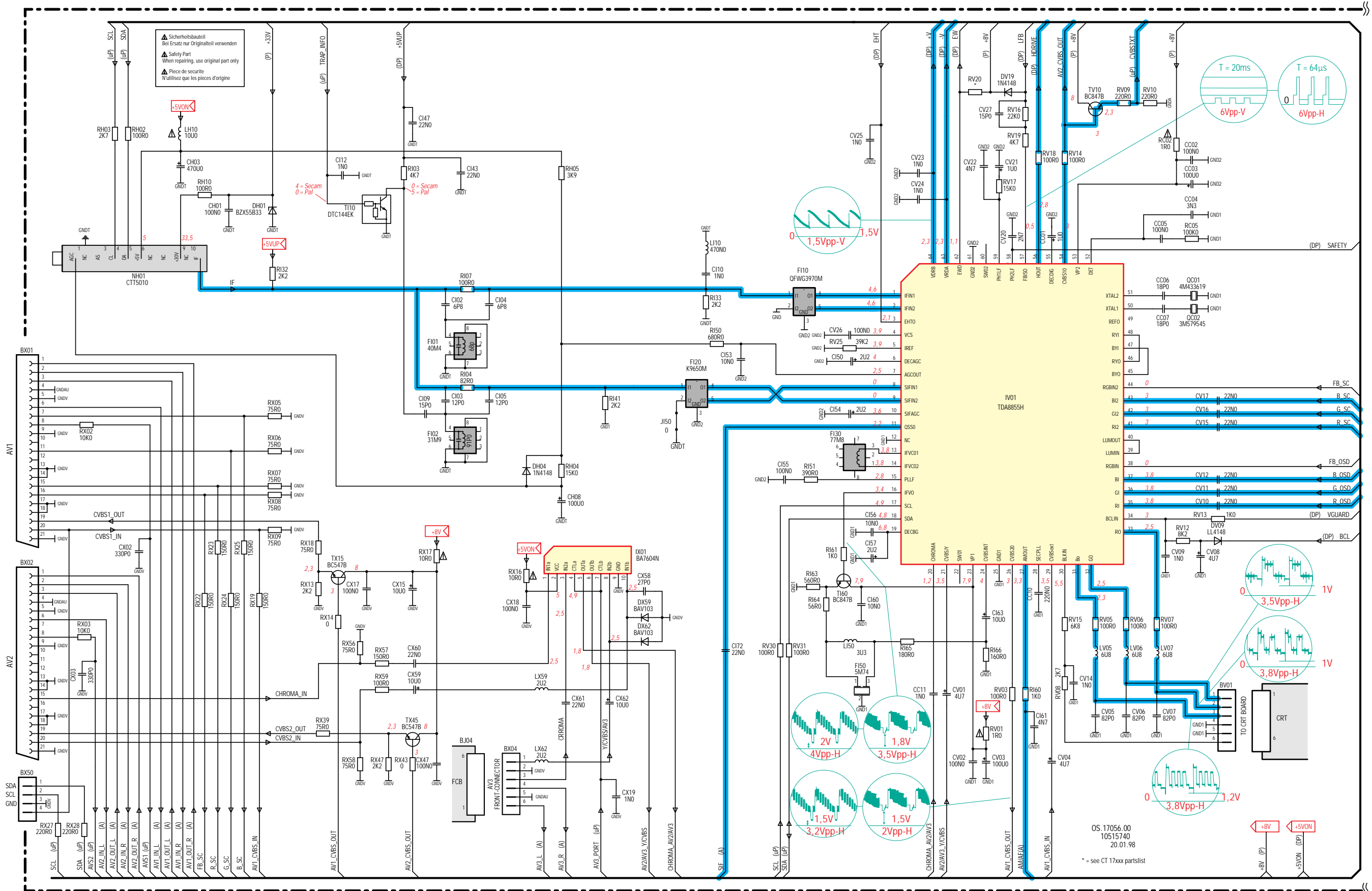
RR44	4/3
RR48	16/9

* = value see partlist DP 17... 00

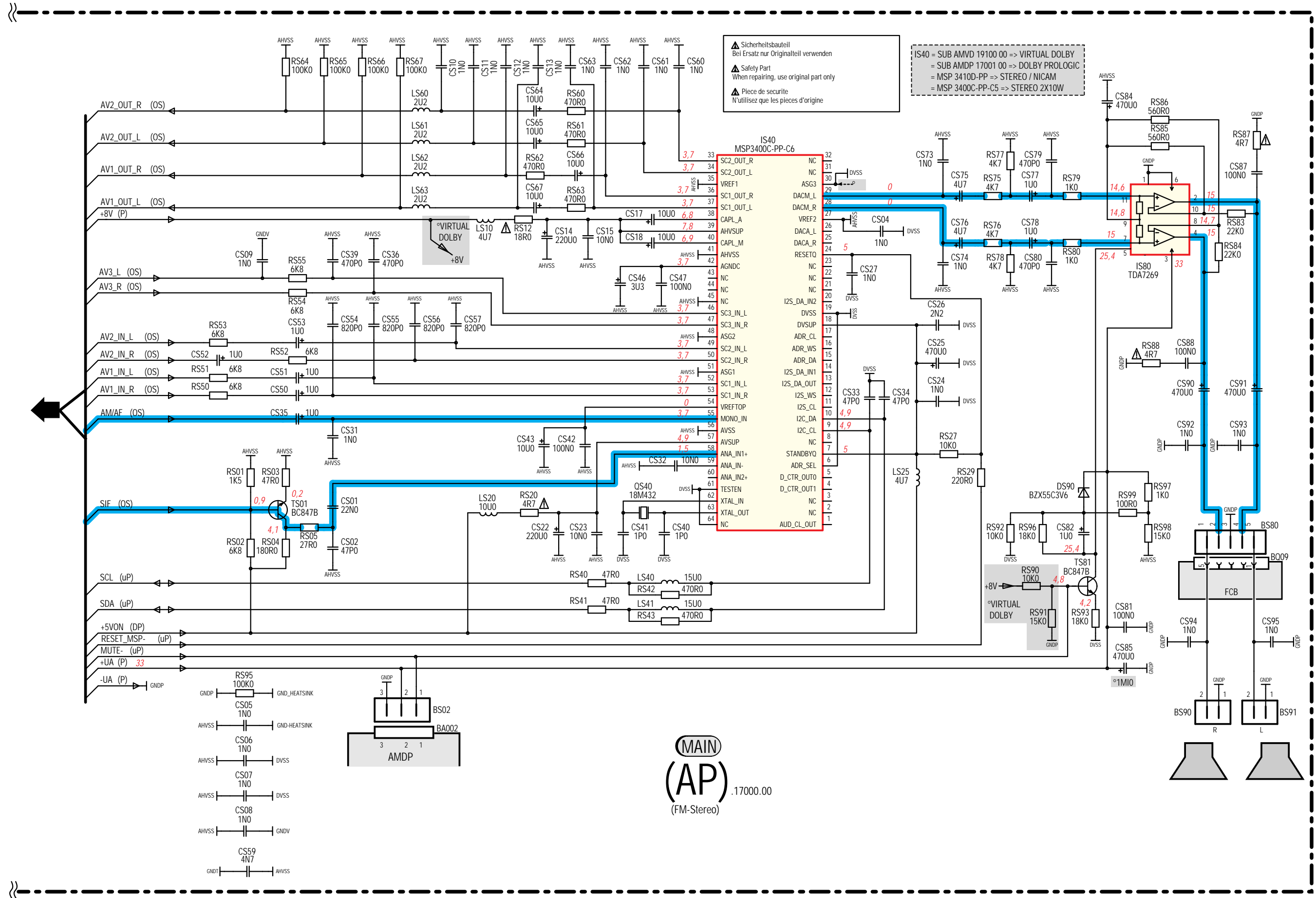
RF/FI/ SCART INTERFACE/VIDEO SIGNAL PROCESSING -HF/FI INTERFACE PERITELEVISION/TRAIITEMENT LUMINANCE CHROMINANCE - HF/ZF/ SCART INTERFACE/VIDEO SIGNALVERARBEITUNG - RF/FI /PRESA PERITEL/ELABORAZIONE VIDEO - RF/FI /EUROCONNECTOR / TRATAMENTO VIDEO



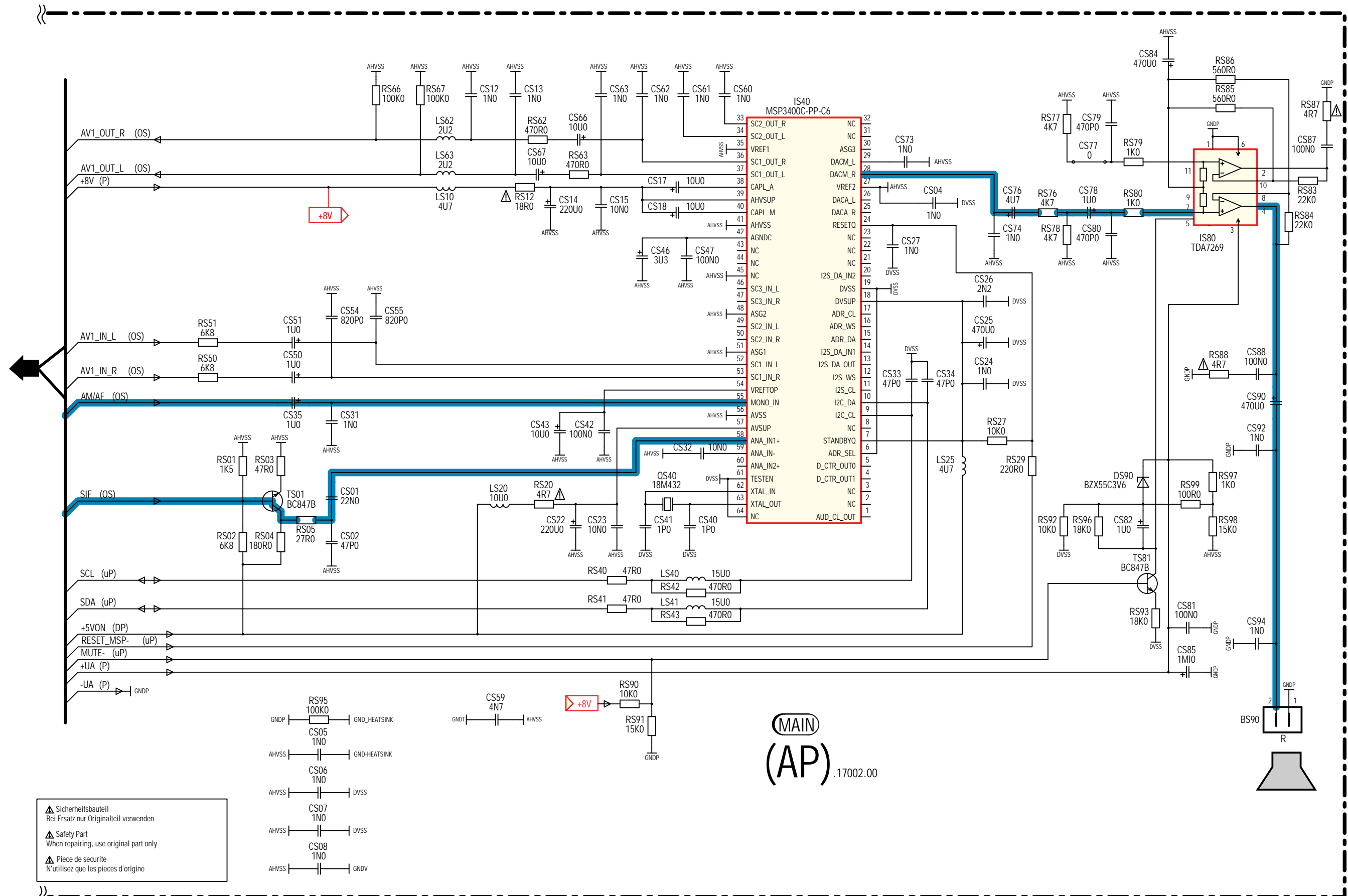
RF/FI/ SCART INTERFACE/VIDEO SIGNAL PROCESSING - HF/FI INTERFACE PERITELEVISION/TRAITEMENT LUMINANCE CHROMINANCE - HF/ZF/ SCART INTERFACE/VIDEO
 SIGNALVERARBEITUNG - RF/FI /PRESA PERITEL/ELABORAZIONE VIDEO - RF/FI /EUROCONECTOR/TRATAMIENTO VIDEO



AMPLIFIER SCHEMATIC DIAGRAM - SCHEMA DE L'AMPLIFICATEUR - SCHALTBILD AUDIO-SIGNALVERARBEITUNG - SCHEMA DELL' AMPLIFICATORE ESQUEMA DEL AMPLIFICADOR (STEREO)



AMPLIFIER SCHEMATIC DIAGRAM - SCHEMA DE L'AMPLIFICATEUR - SCHALTBILD AUDIO-SIGNALVERARBEITUNG - SCHEMA DELL' AMPLIFICATORE - ESQUEMA DEL AMPLIFICADOR (MONO)



▲ Sicherheitsbauteil
 Bei Ersatz nur Originalteil verwenden
 ▲ Safety Part
 When repairing, use original part only
 ▲ Piece de securite
 N'utilisez que les pieces d'origine

(MAIN)
(AP) .17002.00